

1

2

3

4

5

6

7

A

A

B

B

C

C

D

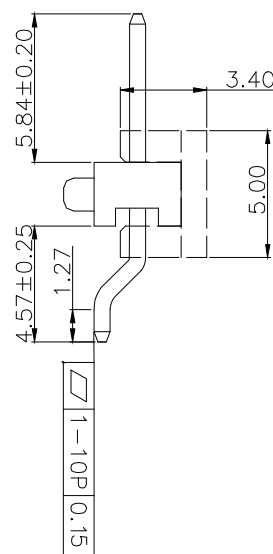
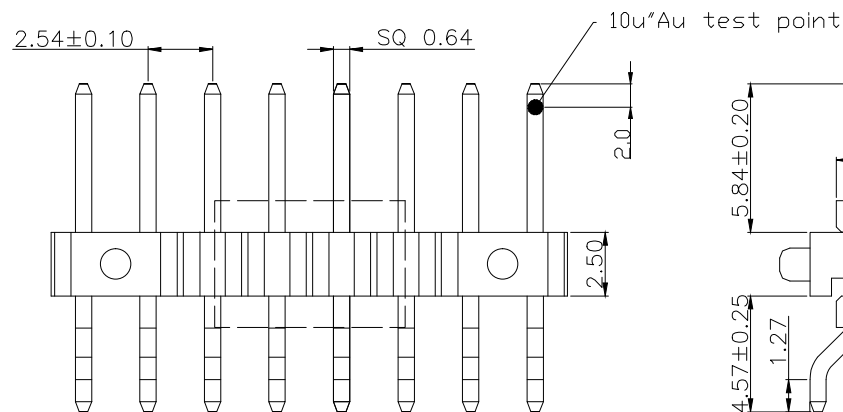
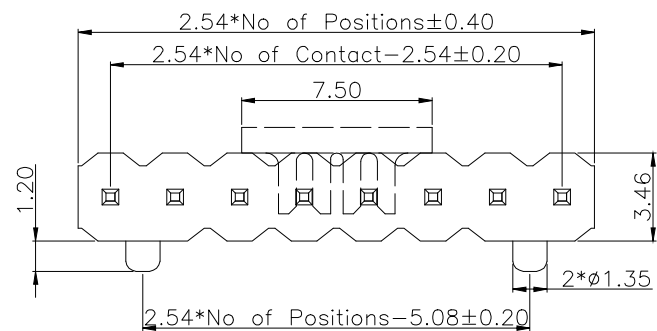
D

E

E

F

F

**NOTES:****MATERIAL**

1. Insulator Material: PA6T+30%G/F, UL94V-0, Black
2. Contact Material : Brass
3. Contact Plating : See order code

ELECTRICAL

1. Current Rating : 3.0AMP
2. Withstand Voltage : 500V AC/DC
3. Contact Resistance : 20mΩ max
4. Insulation Resistance: 1000MΩ min

ENVIRONMENTAL

1. Operation Temperature: -55°C to +105°C
2. Packing: Tape&Reel +Cap

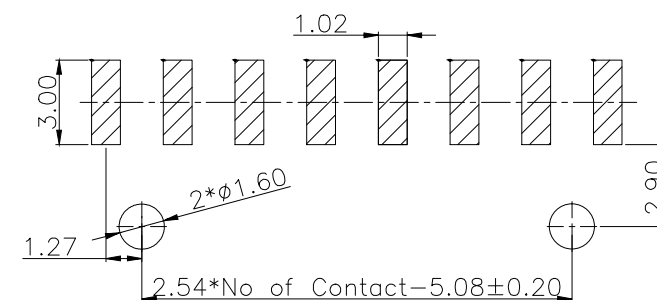
Order Code:

A-SL254Eaxx-058-xSR1

G: Full Gold Flash over Ni

K: Gold Flash on contact area&Tin on soldering area over Ni

N: 10u Au on contact point&Tin on soldering area over Ni



① Recommended P.C.B Layout
General Tolerance±0.05

G

G

RoHS compliant

Unit:mm

Scale Free

TOLERANCE

X. ±0.50

X.X ±0.38

X.XX ±0.25

X.XXX ±0.15

DIM TOL

Angle ±5°

①

Add the PCB Layout

12.06.2021

Winnie

②

Drawn

12.03.2021

Winnie

Id.

Modification

Date

Name

Date

Name

Description: Pin Header
Pitch 2.54mm SMT

Drawn

12.03.2021

Winnie

Approved

12.06.2021

Winnie

ASSMANN WSW-No.

A-SL254Eaxx-058-xSR1

Drawing-No.

ASS 9122 CO

rev01

Customer-No.

SHEET
1 / 1

H

1

2

3

4

5

6

7

SV5144