

1

2

3

4

5

6

7

A

A

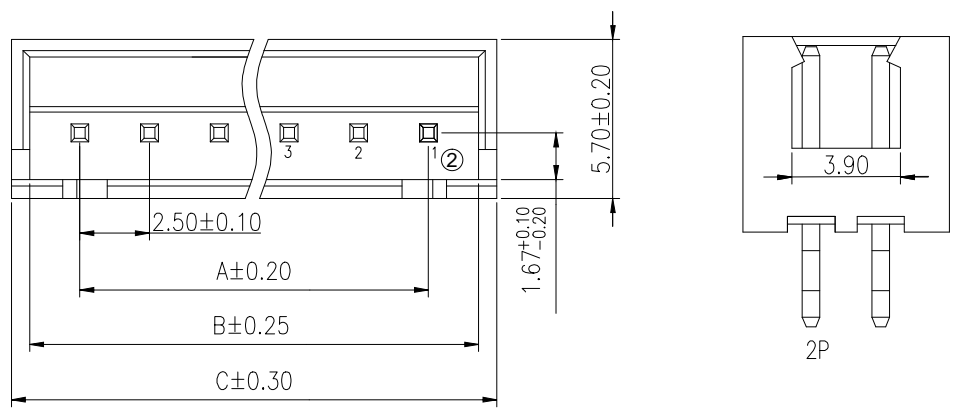
NOTES:  
 Material:  
 Insulator: PA66 Color: White  
 Contact: Brass  
 Plating : Tinned

Electrical:  
 Rated Current: 3.0AMP  
 Voltage Rating: 250V AC,DC  
 Insulation Resistance: 20mΩ Max.  
 Withstand Voltage : 800V AC/minute  
 Insulation Resistance: 1000MΩ min.  
 Operating Temperature: -25°C~+85°C

Packing: PE Bag

B

B

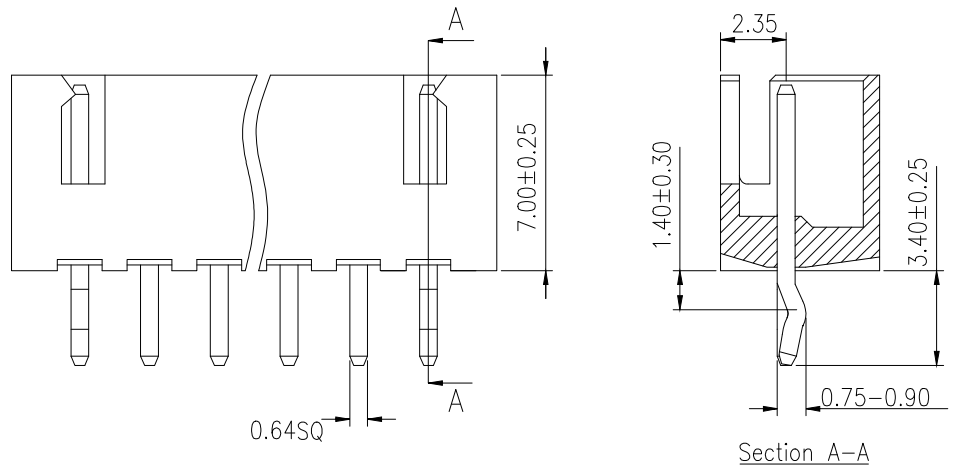


C

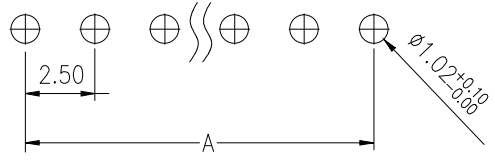
C

D

D



Recommended P.C.B Layout(Top Side)  
 (PCB BOARD TOLERANCE±0.05)



① Circuit	Dimension		
	A	B	C
02	2.50	6.1	7.4
03	5.00	8.6	9.9
04	7.50	11.1	12.4
05	10.00	13.6	14.9
06	12.50	16.1	17.4
07	15.00	18.6	19.9
08	17.50	21.1	22.4
09	20.00	23.6	24.9
10	22.50	26.1	27.4
11	25.00	28.6	29.9
12	27.50	31.1	32.4
13	30.00	33.6	34.9
14	32.50	36.1	37.4
15	35.00	38.6	39.9
16	37.50	41.1	42.4

E

E

F

F

G

G

RoHS compliant  
 unit:mm

Scale	Free
TOLERANCE	
X.X	±0.40
X.XX	±0.25
X.XXX	±0.15
DIM	TOL
Angle	TOL

					Date	Name	Description: Wire to Board Wafer Pitch 2.50mm 180° THT	
					Drawn	07.07.2022		Winnie
					Approved	02.22.2024	Peter	ASSMANN WSW-NO.
								<b>A-WBP-L006EG-xxTB01</b>
								Drawing-No.
								<b>ASS 9420 CO</b>
								Customer-No.
								SHEET 1 / 5



H

H

1

2

3

4

5

6

7

1

2

3

4

5

6

7

A

NOTES:  
 Material:  
 Insulator: PA66 Color: White  
 Contact: Brass  
 Plating : Tinned

A

B

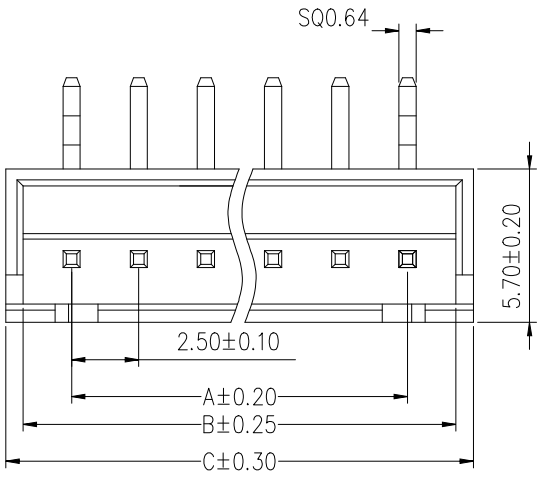
Electrical:  
 Rated Current: 3.0AMP  
 Voltage Rating: 250V AC,DC  
 Insulation Resistance: 20mΩ Max.  
 Withstand Voltage : 800V AC/minute  
 Insulation Resistance: 1000MΩ min.  
 Operating Temperature: -25°C~+85°C

B

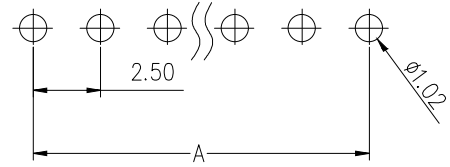
C

Packing: PE Bag

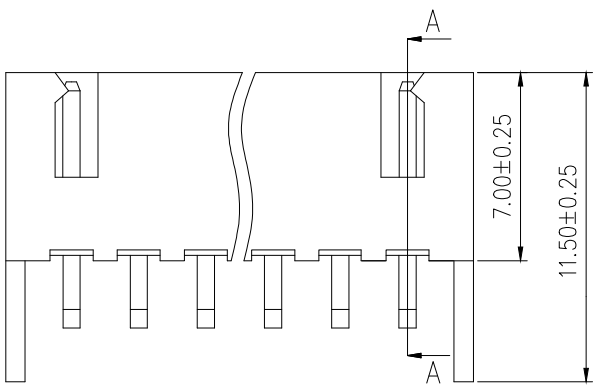
C



Recommended P.C.B Layout(Top Side)  
 (PCB BOARD TOLERANCE±0.05)

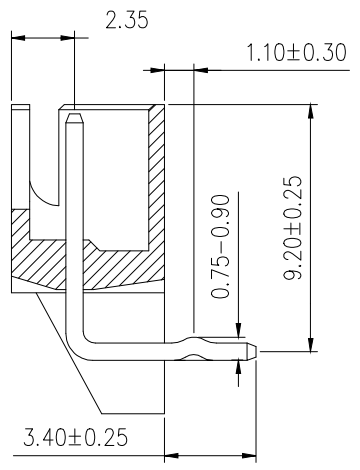


D



D

E



Section A-A

E

F

① Circuit	Dimension		
	A	B	C
02	2.50	6.1	7.4
03	5.00	8.6	9.9
04	7.50	11.1	12.4
05	10.00	13.6	14.9
06	12.50	16.1	17.4
07	15.00	18.6	19.9
08	17.50	21.1	22.4
09	20.00	23.6	24.9
10	22.50	26.1	27.4
11	25.00	28.6	29.9
12	27.50	31.1	32.4
13	30.00	33.6	34.9
14	32.50	36.1	37.4
15	35.00	38.6	39.9
16	37.50	41.1	42.4

F

G

RoHS compliant  
 unit:mm

Scale	Free
TOLERANCE	
X.X	±0.40
X.XX	±0.25
X.XXX	±0.15
DIM	TOL
Angle	TOL

①	Update the WSW P/N (remove 20Pin)	02.22.2024	Peter
②	Drawn	07.07.2022	Winnie
Id.	modification	Date	Name

Date: 07.07.2022 Name: Winnie  
 Drawn  
 Date: 02.22.2024 Name: Peter  
 Approved  
**ASSMANN**  
 WSW components  
 A company of BCS

Description: Wire to Board Wafer  
 Pitch 2.50mm 90° THT  
 ASSMANN WSW-NO.  
**A-WBP-L006EA-xxTB01**  
 Drawing-No. ASS 9420 CO rev01  
 Customer-No. SHEET 2 / 5

G

H

H

1

2

3

4

5

6

7

1

2

3

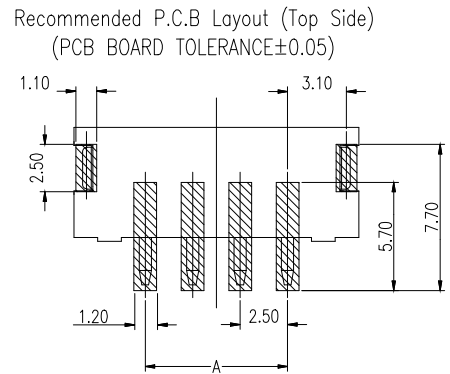
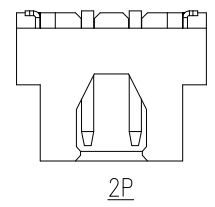
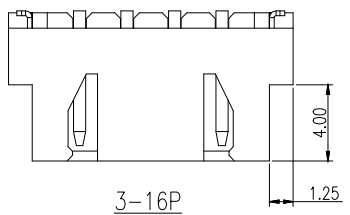
4

5

6

7

A



**NOTES:**  
**Material:**  
 Insulator: LCP Color: Nature  
 Contact: Brass  
 Plating : Tinned

**Electrical:**  
 Rated Current: 3.0AMP  
 Voltage Rating: 250V AC,DC  
 Insulation Resistance: 20mΩ Max.  
 Withstand Voltage : 800V AC/minute  
 Insulation Resistance: 1000MΩ min.  
 Operating Temperature: -25°C~+85°C

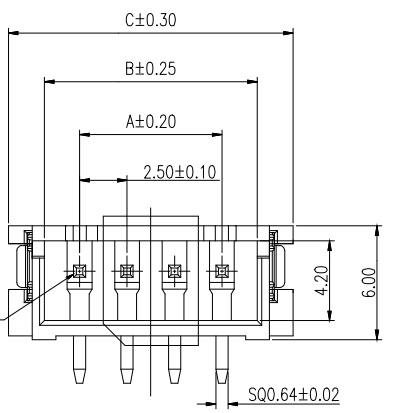
A

B

B

C

C



Packing: Tape&Reel +Cap

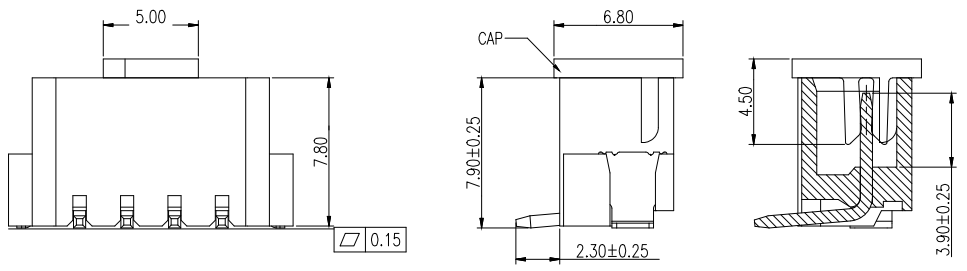
Pins	Dim		
	A	B	C
2	2.50	6.20	10.00
3	5.00	8.70	12.50
4	7.50	11.20	15.00
5	10.00	13.70	17.50
6	12.50	16.20	20.00
7	15.00	18.70	22.50
8	17.50	21.20	25.00
9	20.00	23.70	27.50
10	22.50	26.20	30.00
11	25.00	28.70	32.50
12	27.50	31.20	35.00
13	30.00	33.70	37.50
14	32.50	36.20	40.00
15	35.00	38.70	42.50
16	37.50	41.20	45.00

D

D

E

E



F

F

G

G

**RoHS compliant**  
unit:mm

Scale	Free					Date	Name	Description: Wire to Board Wafer Pitch 2.50mm 180° SMT
TOLERANCE						Drawn	07.07.2022	
X.X	±0.40					Approved	02.22.2024	Peter
X.XX	±0.25							
X.XXX	±0.15							
DIM	TOL	①	Update the WSW P/N (remove 20Pin)	02.22.2024	Peter	 A company of BCS		
		②	Drawn	07.07.2022	Winnie			
Angle	TOL	Id.	modification	Date	Name			

ASSMANN WSW-NO.  
**A-WBP-L006EG-xxSR01**

H

H

Drawing-No.  
**ASS 9420 CO**  
Customer-No.  
rev01  
SHEET 3 / 5

1

2

3

4

5

6

7

1

2

3

4

5

6

7

A

B

C

D

E

F

A

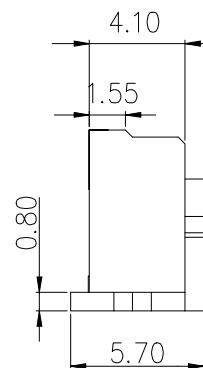
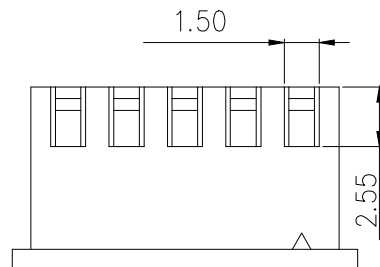
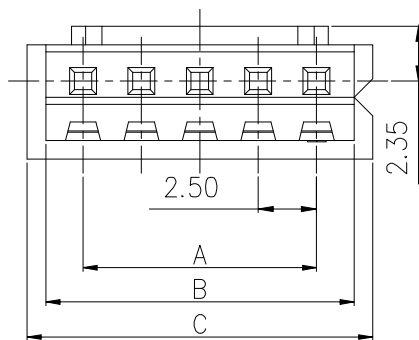
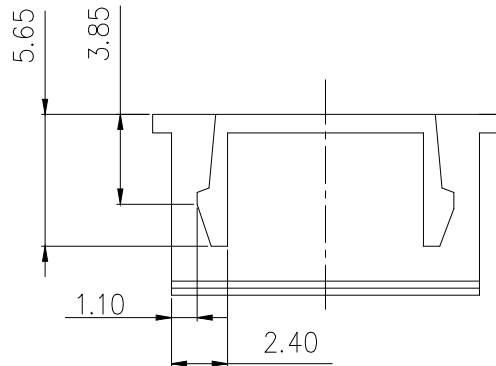
B

C

D

E

F



NOTES:  
Material:  
Insulator: PA66 Color: White

Electrical:  
Rated Current: 3.0AMP  
Voltage Rating: 250V AC,DC  
Insulation Resistance: 20mΩ Max.  
Withstand Voltage : 800V AC/minute  
Insulation Resistance: 1000MΩ min.  
Operating Temperature: -25°C~+85°C

Packing: PE Bag

① Pins	Dim		
	A	B	C
2	2.50	6.20	10.00
3	5.00	8.70	12.50
4	7.50	11.20	15.00
5	10.00	13.70	17.50
6	12.50	16.20	20.00
7	15.00	18.70	22.50
8	17.50	21.20	25.00
9	20.00	23.70	27.50
10	22.50	26.20	30.00
11	25.00	28.70	32.50
12	27.50	31.20	35.00
13	30.00	33.70	37.50
14	32.50	36.20	40.00
15	35.00	38.70	42.50
16	37.50	41.20	45.00

RoHS compliant

unit:mm

Scale Free

TOLERANCE

X.X ±0.40

X.XX ±0.25

X.XXX ±0.15

DIM TOL

① Update the WSW P/N (remove 20Pin)

② Drawn

Angle TOL

Free

①

②

Id.

TOL

1

2

3

4

5

6

7

G

H

RoHS compliant  
unit:mm

Scale Free

TOLERANCE

X.X ±0.40

X.XX ±0.25

X.XXX ±0.15

DIM TOL

① Update the WSW P/N (remove 20Pin)

② Drawn

Angle TOL

Free

①

②

Id.

TOL

1

2

3

4

5

6

7

A

A

B

B

C

C

D

D

E

E

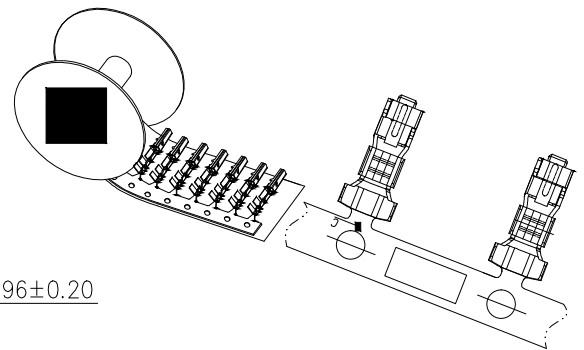
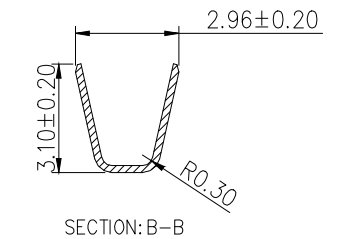
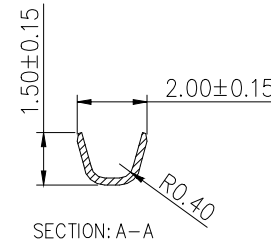
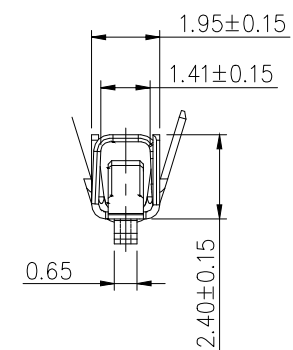
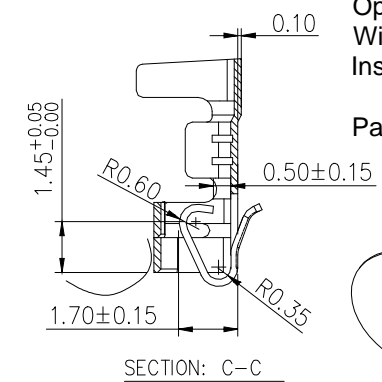
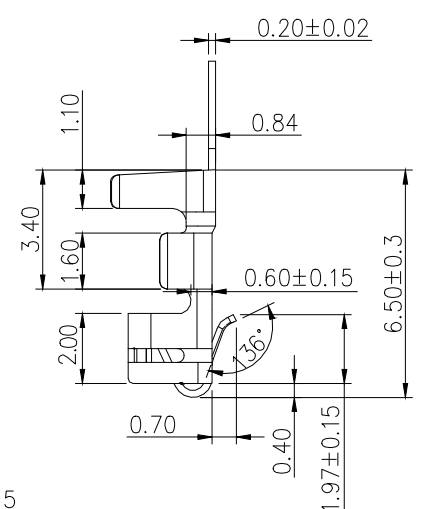
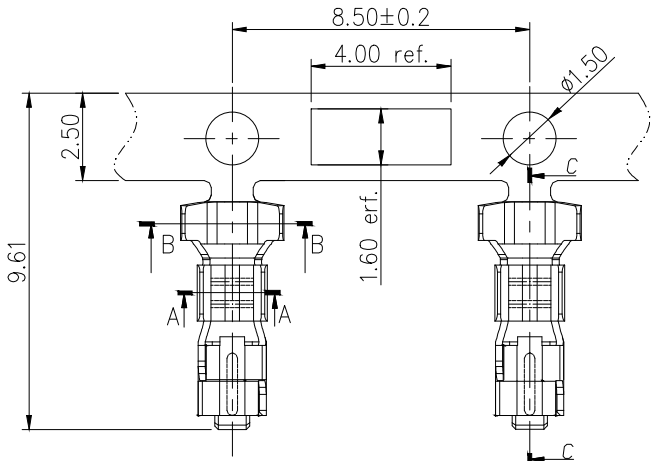
F

F

NOTES:  
 Material:  
 Terminal : Phosphor Bronze Plating: Sn

Electrical:  
 Rated Current: 3.0AMP  
 Voltage Rating: 250V AC,DC  
 Insulation Resistance: 20mΩ Max.  
 Withstand Voltage : 800V AC/minute  
 Insulation Resistance: 1000MΩ min.  
 Operating Temperature: -25°C~+85°C  
 Wire Range:AWG#22~#24  
 Insulation OD:1.90mm Max.

Packing: Reel



G

G

RoHS compliant  
 unit:mm

Scale	Free
TOLERANCE	
X.X	±0.40
X.XX	±0.25
X.XXX	±0.15
DIM	TOL
Angle	TOL

①	Update the WSW P/N (remove 20Pin)	02.22.2024	Peter
②	Drawn	07.07.2022	Winnie
Id.	modification	Date	Name

Date: 07.07.2022  
 Name: Winnie

Date: 02.22.2024  
 Name: Peter

**ASSMANN**  
 WSW components  
 A company of BCS

Description: Wire to Board Terminal Pitch 2.50mm	
ASSMANN WSW-NO. <b>A-WBT-L006EG-01CR01</b>	
Drawing-No. <b>ASS 9420 CO</b>	rev01
Customer-No.	SHEET 5 / 5

H

H

1

2

3

4

5

6

7