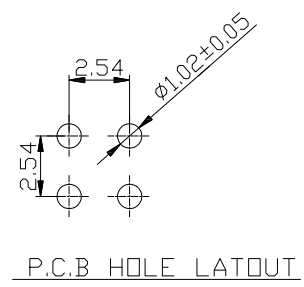
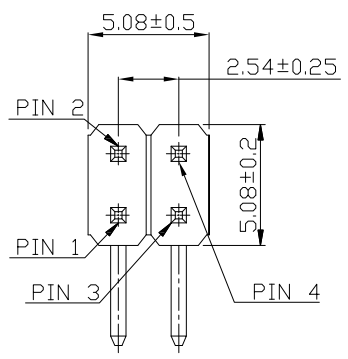


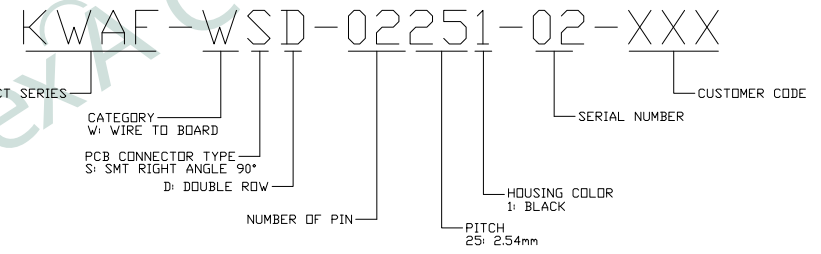
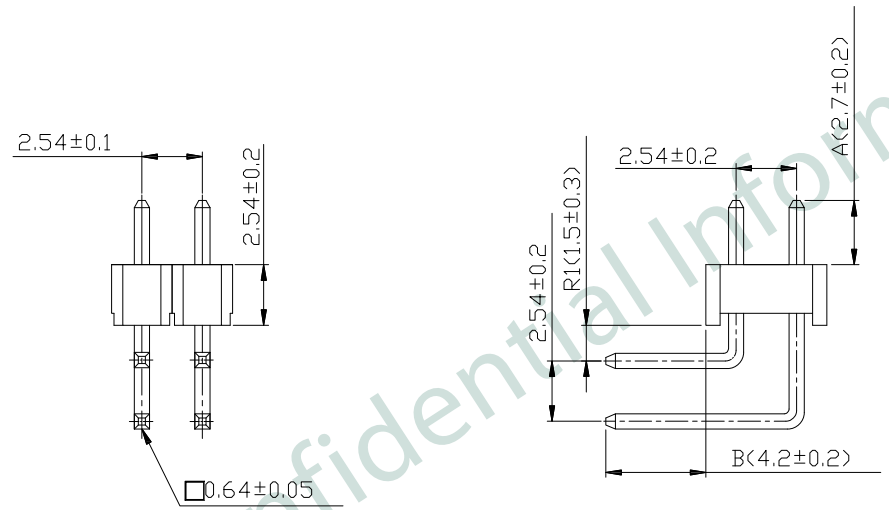
REV.	DATE	DESCRIPTION
01	May. 26, '20	1st RELEASE



NOTES:

1. SPECIFICATIONS  
 CURRENT RATING: 3Amps  
 OPERATING TEMPERATURE: -40°C ~ +105°C  
 CONTACT MATERIAL: COPPER ALLOY  
 INSULATION RESISTANCE: 5000MΩ MIN.  
 DIELECTRIC WITHSTANDING: AC 1000 V  
 INSULATOR MATERIAL: POLYESTER, UL 94V-0  
 STANDARD: P.B.T / NL-6T / LCP  
 FINISH: TIN, GOLD OR DUOLEX PLATED  
 STANDARD: GOLD FLASH ALL OVER

2. UNSPECIFIED TOLERANCE: .XX ±0.15  
 .X ±0.20



PART NO		KWAF-WSD-02251-02-XXX		
TITLE	WIRE TO BOARD, SMT RIGHT ANGLE 90°, DOUBLE ROW, PITCH=2.54mm			
REV : 01				
UNIT	DRAWN	CHKD	DATE	SHEET
mm[inch]	CINDY	VINCENT	May. 26, '20	1 of 1

ROHS Compliant