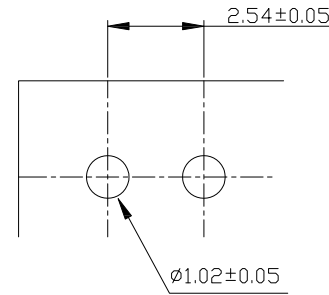
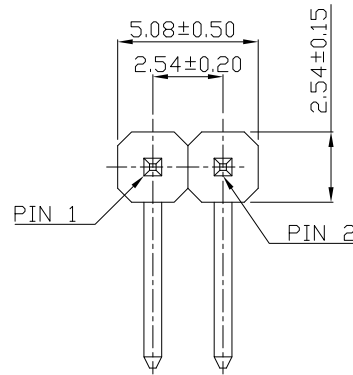


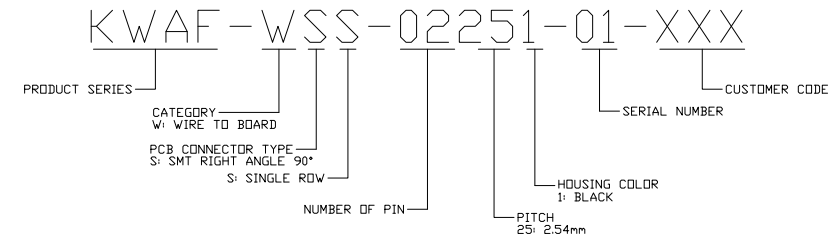
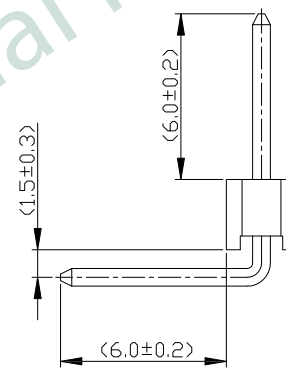
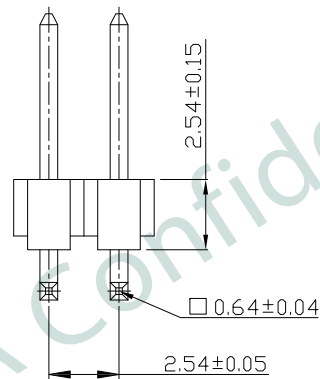
REV.	DATE	DESCRIPTION
01	May. 26, '20	1st RELEASE

NOTES:

- SPECIFICATIONS  
 CURRENT RATING: 3 Amps  
 OPERATING TEMPERATURE: -40°C ~ +105°C  
 CONTACT MATERIAL: COPPER ALLOY  
 INSULATION RESISTANCE: 5000MΩ MIN.  
 DIELECTRIC WITHSTANDING: AC 1000 V  
 INSULATOR MATERIAL: POLYESTER, UL 94V-0  
 FINISH: TIN, GOLD OR DUPLEX PLATED  
 STANDARD: GOLD FLASH ALL OVER
- DUPLEX PLATING: GOLD PLATED  
 ON CONTACT AREA, TIN ON SOLDER AREA
- UNSPECIFIED TOLERANCE: .XX ±0.15  
 .X ±0.20



P.C.B HOLE LAYOUT



PART NO		K W A F - W S S - 0 2 2 5 1 - 0 1 - X X X		
TITLE	WIRE TO BOARD, SMT RIGHT ANGLE 90°, SINGLE ROW, PITCH=2.54mm			
REV : 01				
UNIT	DRAWN	CHKD	DATE	SHEET
mm[inch]	CINDY	VINCENT	May. 26, '20	1 of 1