

- NOTES
- ① 材質及び仕上げ(めっき仕様) : TABLE 1, TABLE 2 参照
MATERIAL AND FINISHES (PLATING SPECIFICATION) : SEE TABLE 1 AND TABLE 2
 - ② 製品仕様書、コネクタ取扱説明書、適合嵌合相手はSHEET 5をご参照下さい。
PLEASE REFER TO SHEET 5 FOR PRODUCT SPECIFICATION, APPLICATION SPECIFICATION AND MATE WITH.
 - ③ 偶数極に適用
APPLY TO EVEN CIRCUIT
 - ④ 本製品は金めっき品である。
錫めっき品は5055750001 PSD 000をご参照下さい。
THIS IS GOLD PLATING PRODUCT.
PLEASE REFER TO 5055750001 PSD 000 FOR TIN PLATING PRODUCT.
 - ⑤ 端子テール部及びネイルの平坦度 : 0.1mm以下
TAIL AND NAIL COPLANARITY TO BE 0.1mm MAXIMUM.
 - ⑥ 発注番号 : SHEET 5参照
ORDER NUMBER : PLEASE REFER TO SHEET 5

505575****

極数
CIRCUIT SIZE

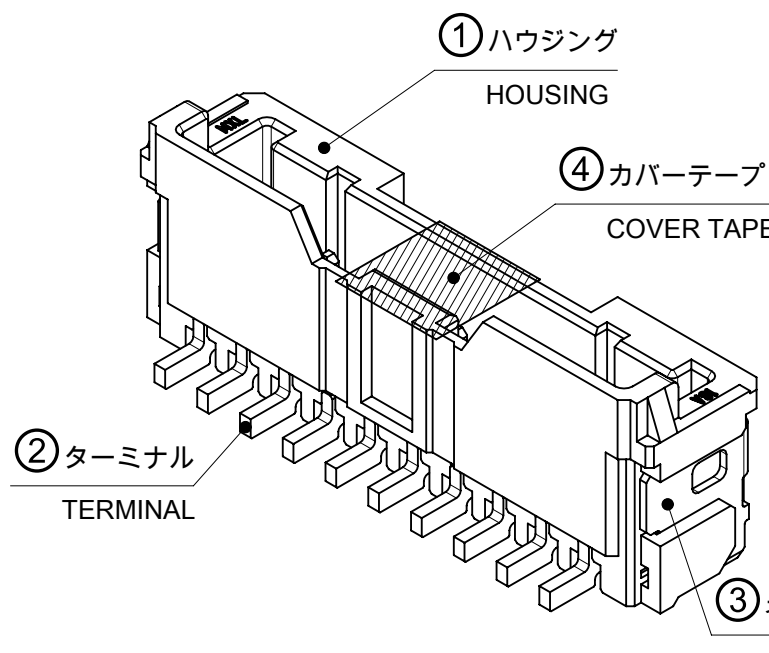
| 番号 NO. | ハウジングカラー HOUSING COLOR |
|-----------|-----------------------------|
| 0 | ナチュラル(白) NATURAL (WHITE) |
| 1 | 黒 BLACK |

| 番号 NO. | 接点部金めっき厚 CONTACT GOLD PLATING THICKNESS [MICROMETER MINIMUM] | カバーテープ COVER TAPE |
|-----------|---|----------------------|
| 9 | 0.1 | 有 WITH |
| 3 | 0.38 | |
| 5 | 0.76 | |
| 6 | 0.1 | 無 WITHOUT |
| 2 | 0.38 | |
| 4 | 0.76 | |

| | | | |
|-------|----|----|--------------------|
| 34.53 | 30 | 36 | 16 |
| 32.53 | 28 | 34 | 15 |
| 30.53 | 26 | 32 | 14 |
| 28.53 | 24 | 30 | 13 |
| 26.53 | 22 | 28 | 12 |
| 24.53 | 20 | 26 | 11 |
| 22.53 | 18 | 24 | 10 |
| 20.53 | 16 | 22 | 9 |
| 18.53 | 14 | 20 | 8 |
| 16.53 | 12 | 18 | 7 |
| 14.53 | 10 | 16 | 6 |
| 12.53 | 8 | 14 | 5 |
| 10.53 | 6 | 12 | 4 |
| 8.53 | 4 | 10 | 3 |
| 6.53 | 2 | 8 | 2 |
| C | B | A | 極数 CIRCUIT SIZE |

① TABLE 1

| 番号 NO. | 部品 PART | 材質 MATERIAL |
|-----------|----------------------|--|
| ① | ハウジング HOUSING | ポリアミド (PA), ガラス充填, UL94V-0, 色 : SHEET 5 参照 POLYAMIDE (PA), GLASS FILLED, UL94V-0, COLOR : SEE SHEET 5 |
| ② | ターミナル TERMINAL | 黄銅 BRASS |
| | | 金めっき (接点部) : SHEET 5 参照 GOLD PLATING (CONTACT) : SEE SHEET 5 ニッケルめっき (下地めっき) : 2.0 MICROMETER MINIMUM NICKEL PLATING (UNDERPLATING) |
| ③ | ネイル NAIL | リン青銅 PHOSPHOR BRONZE |
| | | 錫めっき : 1.0 MICROMETER MINIMUM MATTE TIN PLATING |
| | | ニッケルめっき (下地めっき) : 1.0 MICROMETER MINIMUM NICKEL PLATING (UNDERPLATING) |
| ④ | カバーテープ COVER TAPE | ポリイミド POLYIMIDE |



THIS DRAWING CONTAINS INFORMATION THAT IS PROPRIETARY TO MOLEX ELECTRONIC TECHNOLOGIES, LLC AND SHOULD NOT BE USED WITHOUT WRITTEN PERMISSION

| DIMENSION UNITS | SCALE | CURRENT REV DESC. |
|--|--------|-----------------------------|
| mm | NTS | |
| GENERAL TOLERANCES (UNLESS SPECIFIED) | | |
| ANGULAR TOL | ± 3.0° | |
| 4 PLACES | ± 0.2 | EC NO: 767521 |
| 3 PLACES | ± 0.2 | DRWN: SOKUMURA01 2023/10/31 |
| 2 PLACES | ± 0.2 | CHK'D: SAKIYAMA 2023/11/02 |
| 1 PLACE | ± 0.2 | APPR: AIDA 2023/11/06 |
| 0 PLACES | ± 0.2 | INITIAL REVISION: |
| | | DRWN: SOKUMURA01 2019/07/17 |
| | | APPR: MARAI 2023/08/04 |
| DRAFT WHERE APPLICABLE MUST REMAIN WITHIN DIMENSIONS | | THIRD ANGLE PROJECTION |
| DRAWING | | SERIES |
| A3-SIZE | 505575 | MATERIAL NUMBER |
| CUSTOMER | | SHEET NUMBER |
| SEE SHEET 5 | | GENERAL |
| DOCUMENT NUMBER | | DOC TYPE |
| 5055750002-SD | | PSD |
| DOC PART | | REVISION |
| 000 | | B |

molex

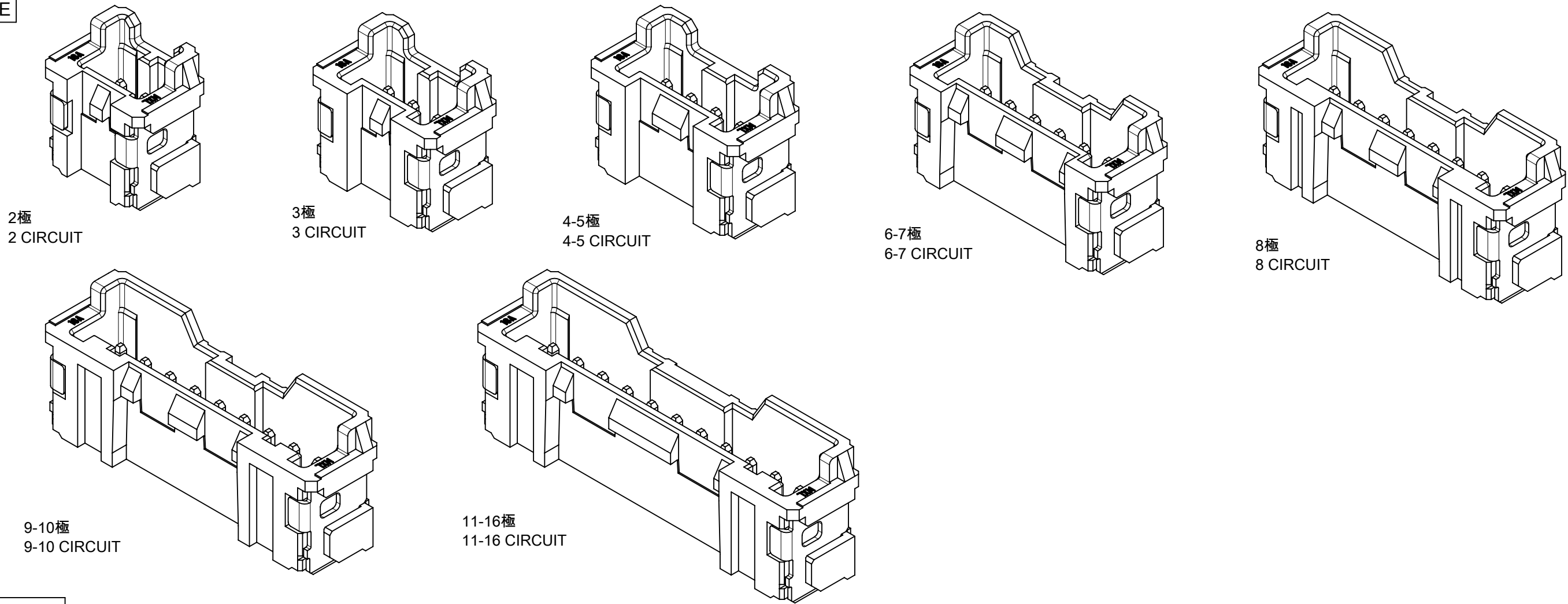
MICRO-LOCK PLUS 2.0 W/B
SINGLE ROW VERTICAL SMT PLUG ASSEMBLY
GOLD PLATING

PRODUCT CUSTOMER DRAWING

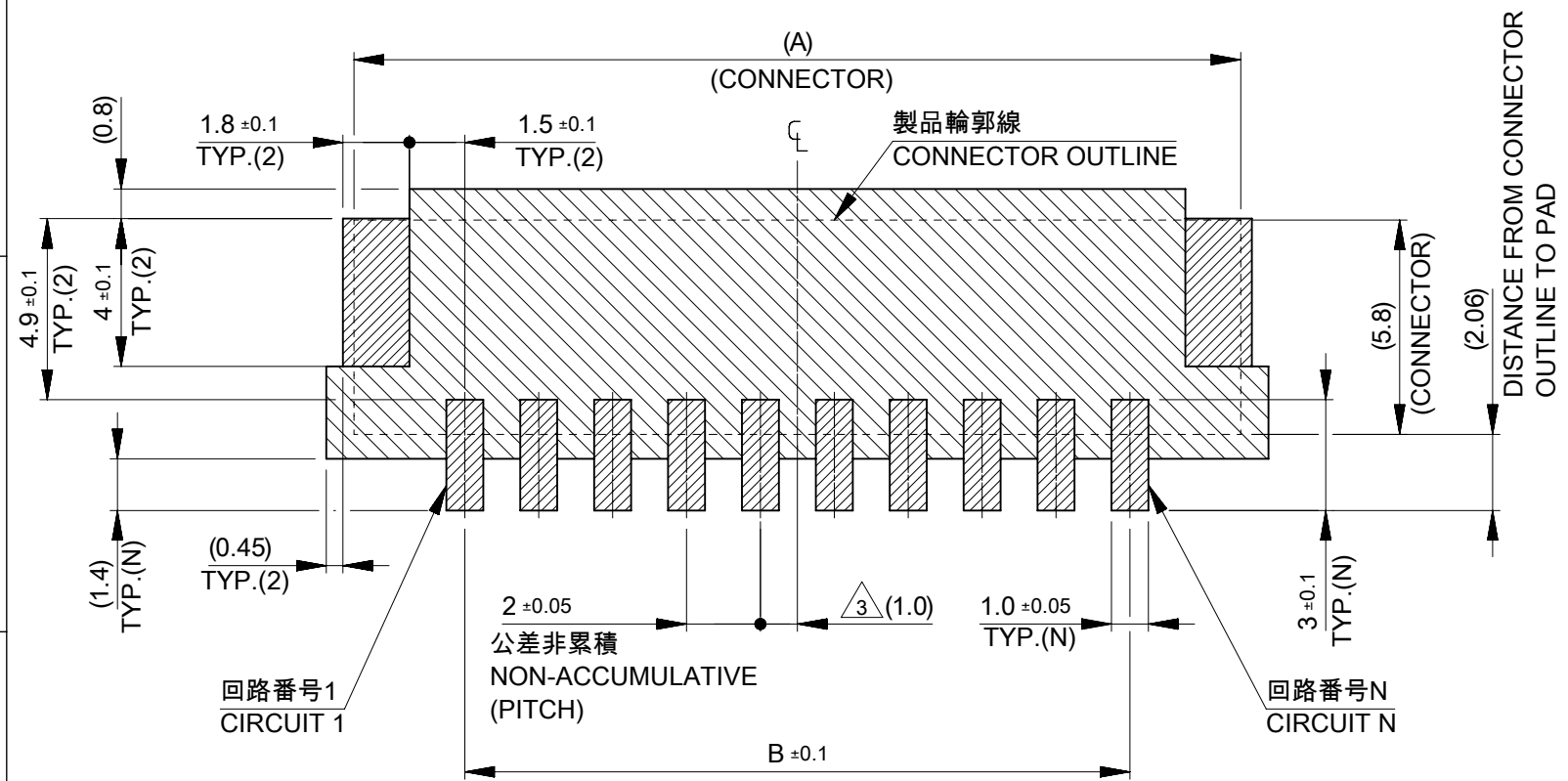
DOCUMENT NUMBER: 5055750002-SD
DOC TYPE: PSD
DOC PART: 000
REVISION: B

SEE SHEET 5 GENERAL 1 OF 5

製品形状
PRODUCT SHAPE



基板パターンレイアウト
PCB PATTERN LAYOUT



推奨基板パターンレイアウト
(参考：基板厚1.6mm, メタルマスク厚0.15mm, マスク開口率100%)
RECOMMENDED PCB PATTERN LAYOUT
(REFERENCE: PCB THICKNESS 1.6mm, STENCIL THICKNESS 0.15mm, APERTURE RATIO 100%)

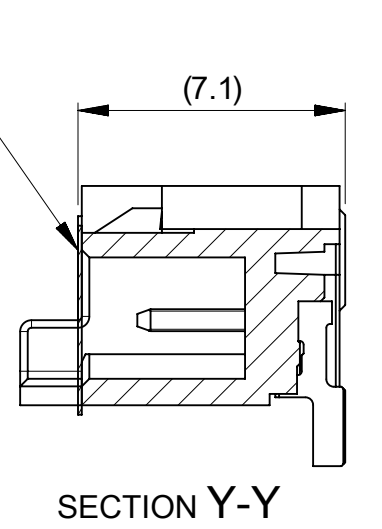
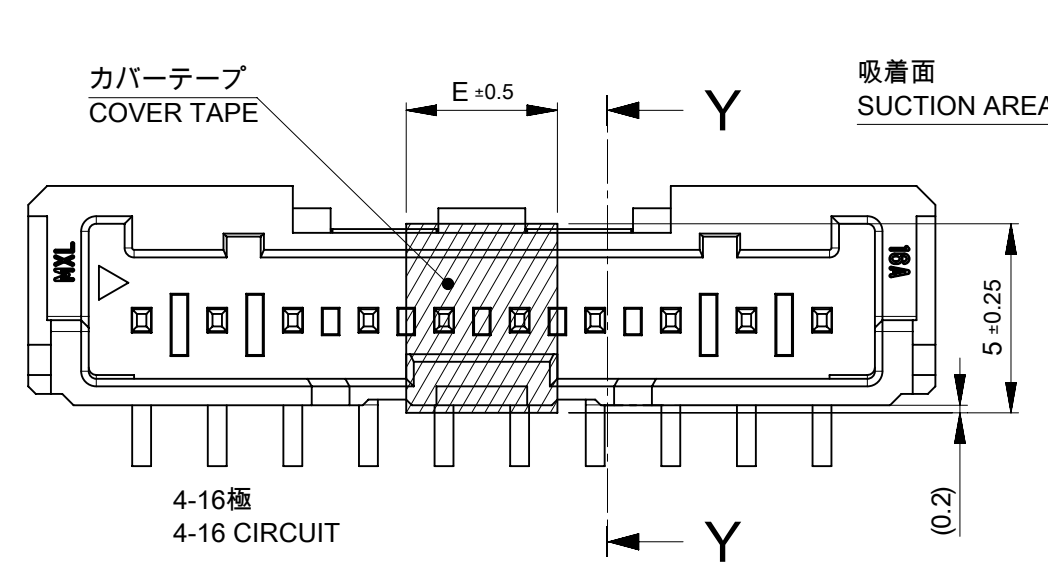
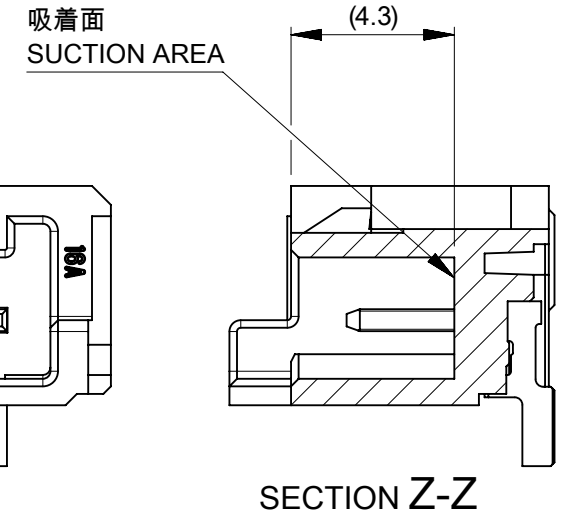
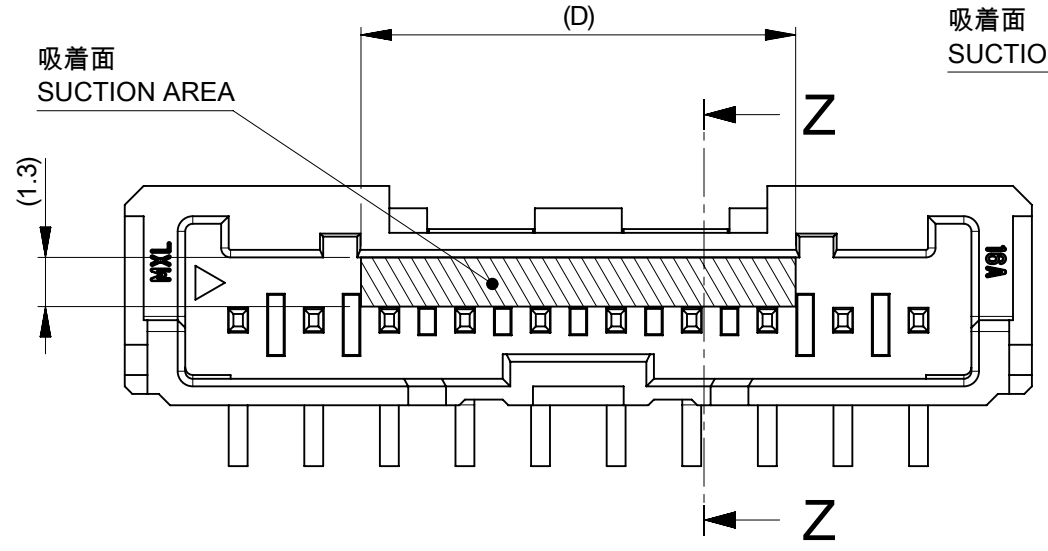
パターン禁止エリア
RESTRICTED AREA
NO PCB COMPONENTS ALLOWED

| | | | | | | | | | |
|---|--|-------|--|------------------------|--|------------|--|-----------------|--|
| THIS DRAWING CONTAINS INFORMATION THAT IS PROPRIETARY TO MOLEX ELECTRONIC TECHNOLOGIES, LLC AND SHOULD NOT BE USED WITHOUT WRITTEN PERMISSION | | | | | | | | | |
| DIMENSION UNITS | | SCALE | | CURRENT REV DESC: | | | | | |
| mm | | NTS | | | | | | | |
| GENERAL TOLERANCES (UNLESS SPECIFIED) | | | | | | | | | |
| ANGULAR TOL ± 3.0° | | | | | | | | | |
| 4 PLACES | | ± 0.2 | | EC NO: 767521 | | 2023/10/31 | | | |
| 3 PLACES | | ± 0.2 | | DRWN: SOKUMURA01 | | 2023/11/02 | | | |
| 2 PLACES | | ± 0.2 | | CHK'D: SAKIYAMA | | 2023/11/06 | | | |
| 1 PLACE | | ± 0.2 | | APPR: AIDA | | | | | |
| 0 PLACES | | ± 0.2 | | INITIAL REVISION: | | | | | |
| | | | | DRWN: SOKUMURA01 | | 2019/07/17 | | DOCUMENT NUMBER | |
| | | | | APPR: MARAI | | 2023/08/04 | | 5055750002-SD | |
| | | | | THIRD ANGLE PROJECTION | | DRAWING | | SERIES | |
| | | | | A3-SIZE | | 505575 | | MATERIAL NUMBER | |
| | | | | SEE SHEET 5 | | CUSTOMER | | GENERAL | |
| | | | | SHEET NUMBER | | 2 OF 5 | | | |

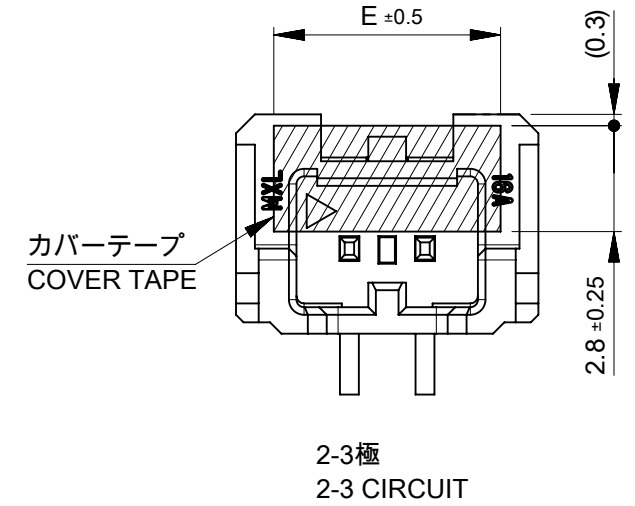
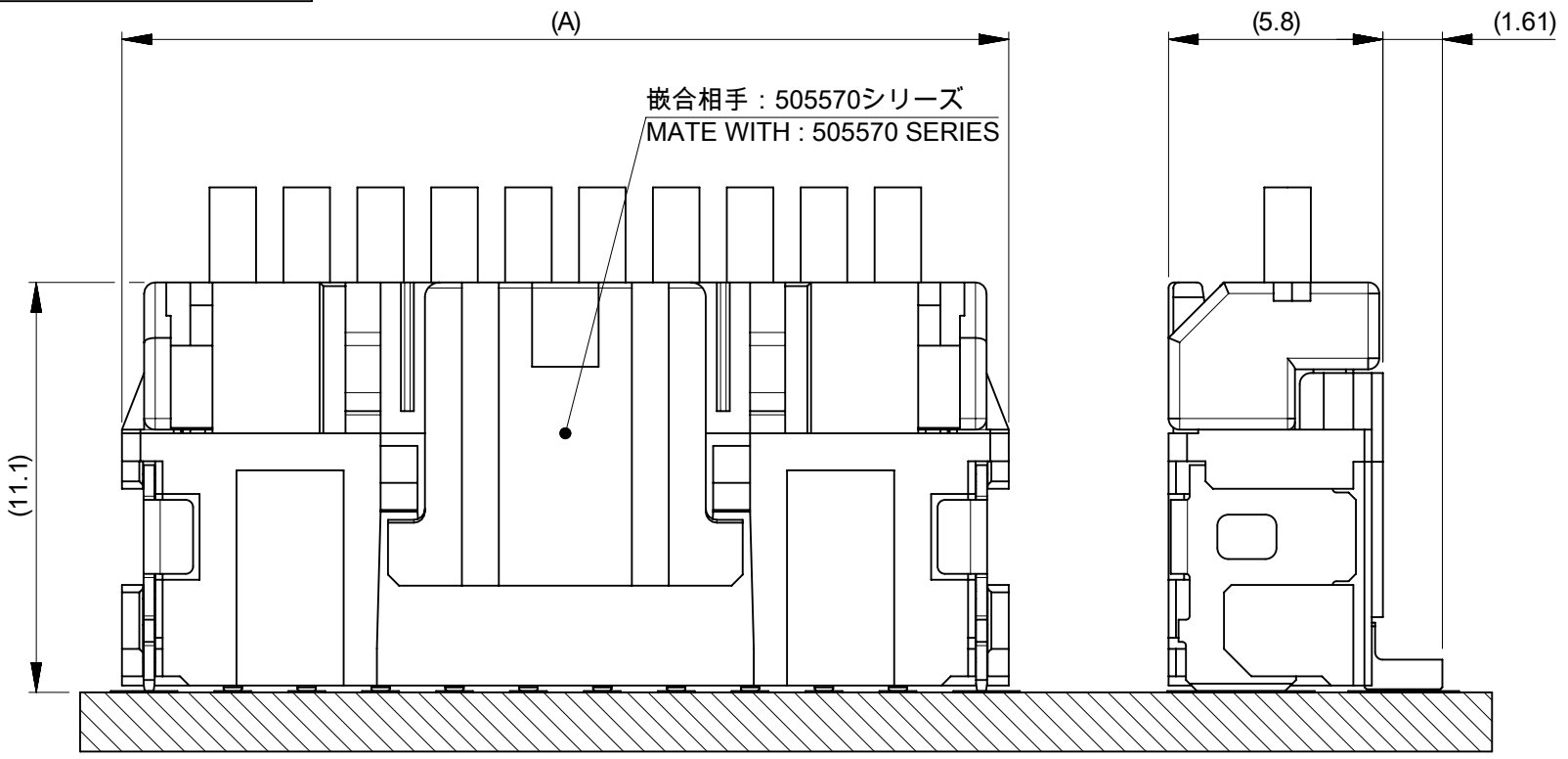
吸着エリア
SUCTION AREA

カバーテープ無
WITHOUT COVER TAPE

カバーテープ有
WITH COVER TAPE



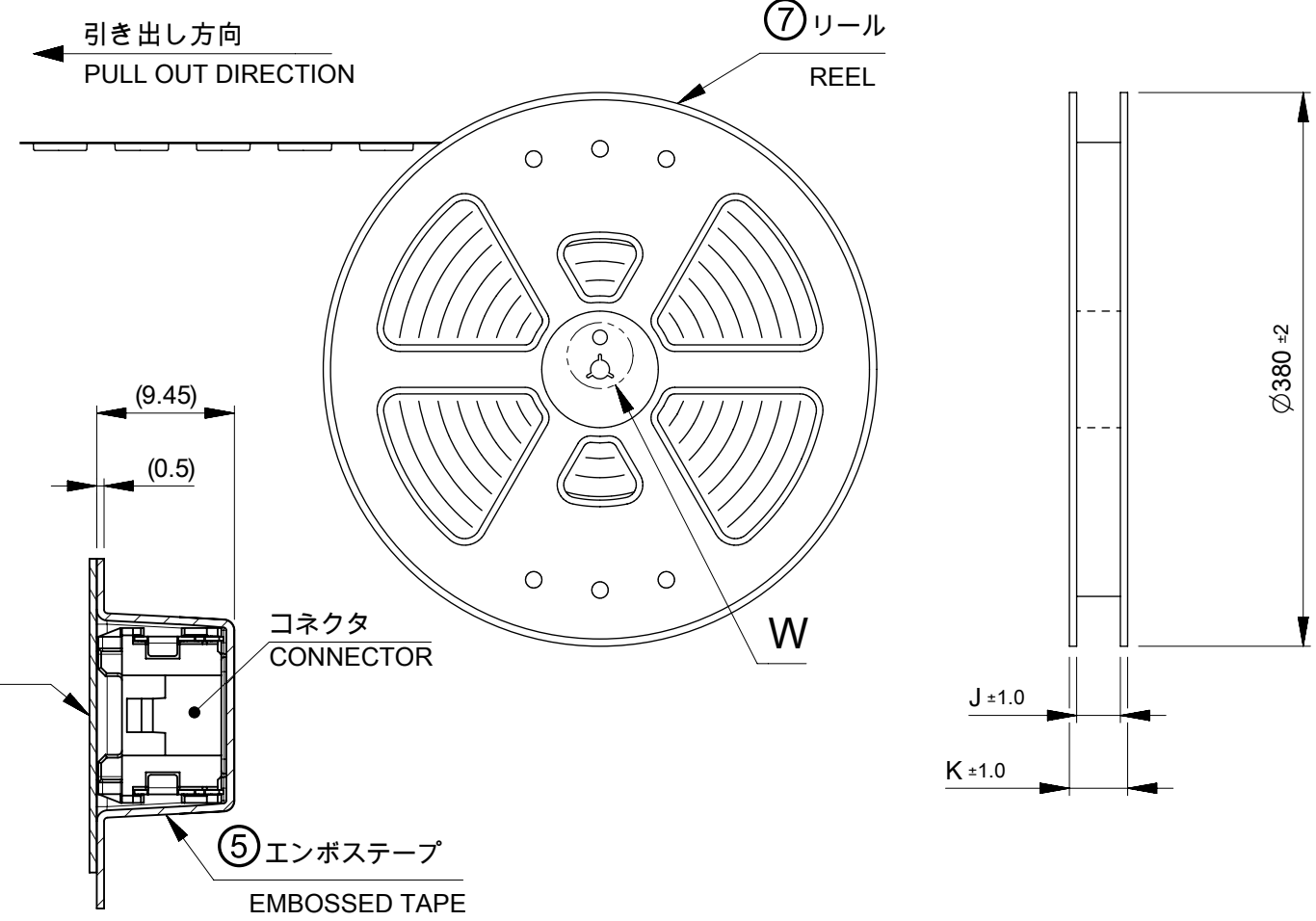
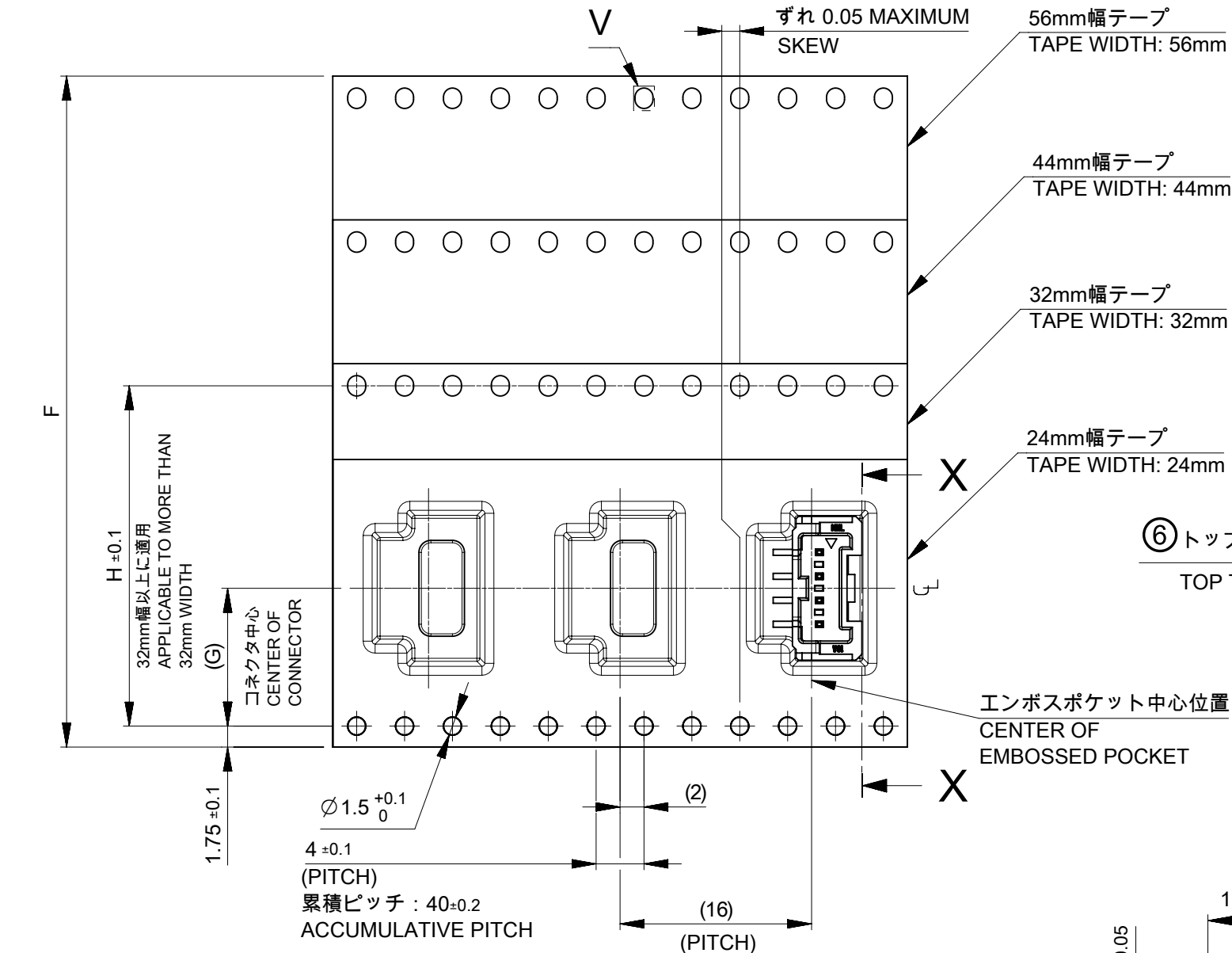
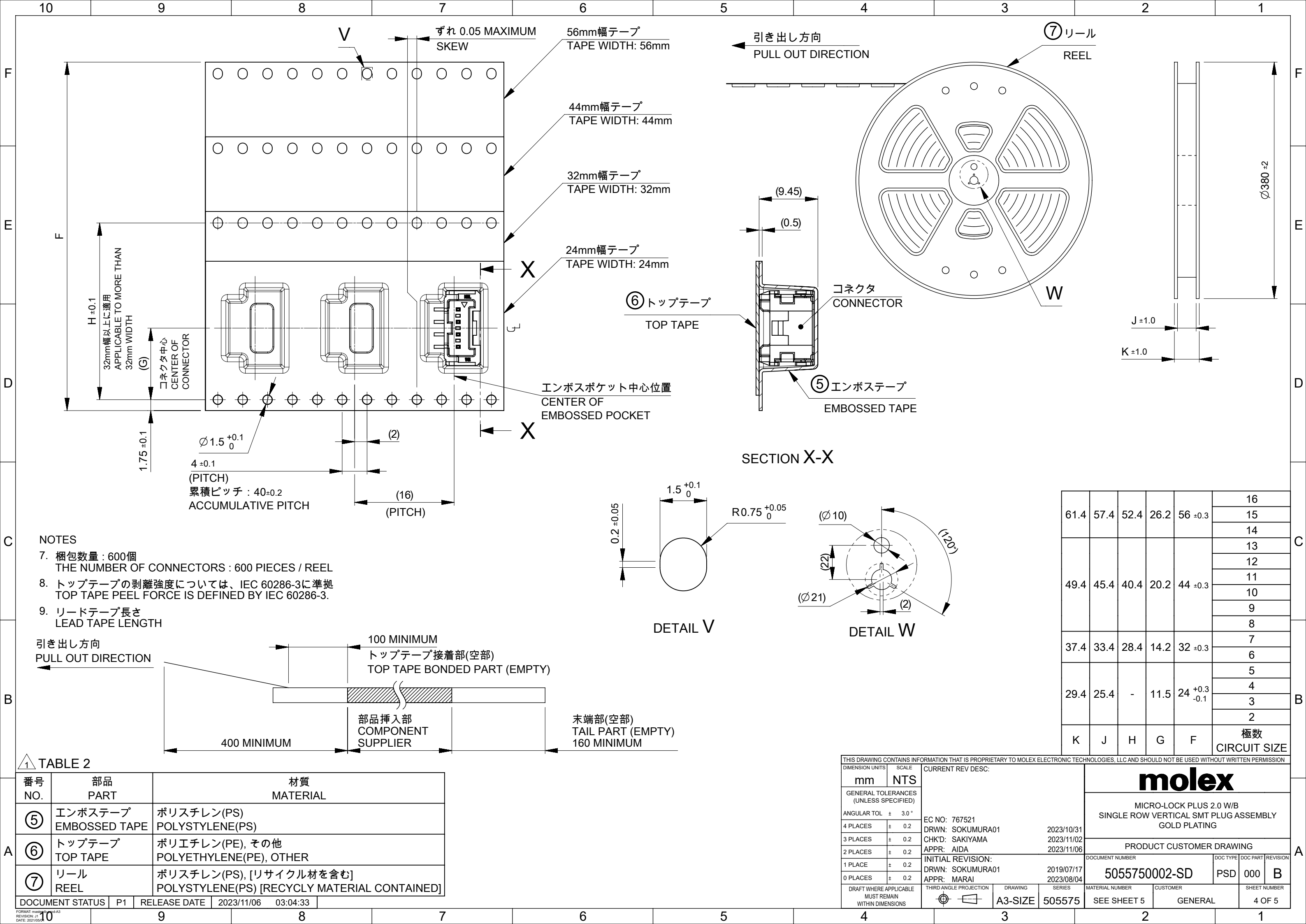
嵌合状態図
MATED CONNECTOR



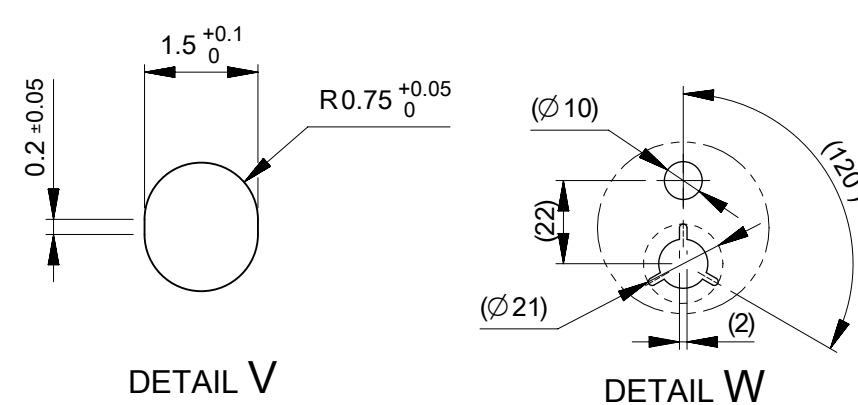
| | | |
|---|------|--------------------|
| 5 | 11.5 | 16 |
| | | 15 |
| 4 | 9.5 | 14 |
| | | 13 |
| | | 12 |
| | | 11 |
| | | 10 |
| | | 9 |
| | | 8 |
| | | 7 |
| 8 | 4.5 | 6 |
| | | 5 |
| | | 4 |
| 6 | 2.5 | 3 |
| | | 2 |
| E | D | 極数 CIRCUIT SIZE |

THIS DRAWING CONTAINS INFORMATION THAT IS PROPRIETARY TO MOLEX ELECTRONIC TECHNOLOGIES, LLC AND SHOULD NOT BE USED WITHOUT WRITTEN PERMISSION

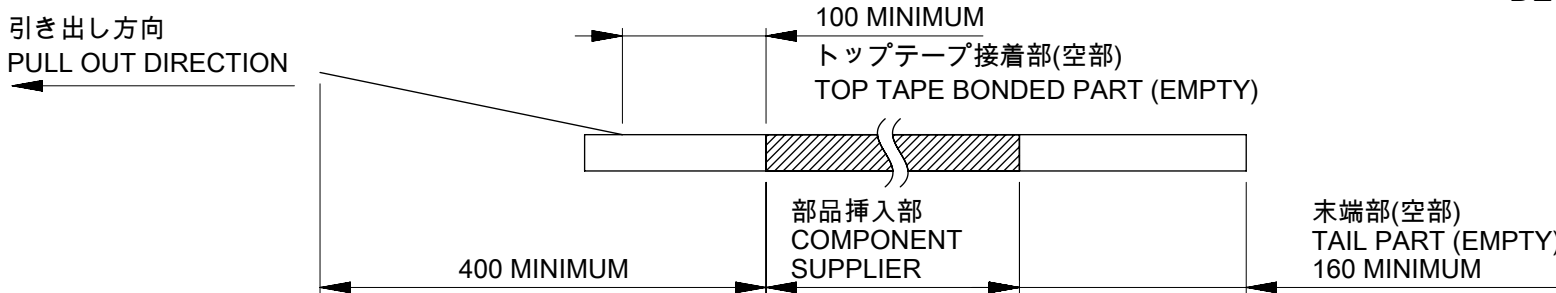
| | | | | | | | |
|--|---------------------|------------------------|---------|---------------------------------------|-----------------|----------|-------------------------|
| DIMENSION UNITS mm | SCALE NTS | CURRENT REV DESC: | | | | | |
| GENERAL TOLERANCES (UNLESS SPECIFIED) | | EC NO: 767521 | | | | | MICRO-LOCK PLUS 2.0 W/B |
| ANGULAR TOL | ± 3.0 ° | DRWN: SOKUMURA01 | | SINGLE ROW VERTICAL SMT PLUG ASSEMBLY | | | |
| 4 PLACES | ± 0.2 | CHK'D: SAKIYAMA | | GOLD PLATING | | | |
| 3 PLACES | ± 0.2 | APPR: AIDA | | PRODUCT CUSTOMER DRAWING | | | |
| 2 PLACES | ± 0.2 | INITIAL REVISION: | | DOCUMENT NUMBER | | | |
| 1 PLACE | ± 0.2 | DRWN: SOKUMURA01 | | 5055750002-SD | | | |
| 0 PLACES | ± 0.2 | APPR: MARAI | | DOC TYPE DOC PART REVISION | | | |
| DRAFT WHERE APPLICABLE MUST REMAIN WITHIN DIMENSIONS | | THIRD ANGLE PROJECTION | DRAWING | SERIES | MATERIAL NUMBER | CUSTOMER | SHEET NUMBER |
| | | | A3-SIZE | 505575 | SEE SHEET 5 | GENERAL | 3 OF 5 |



SECTION X-X



- NOTES
- 梱包数量 : 600個
THE NUMBER OF CONNECTORS : 600 PIECES / REEL
 - トップテープの剥離強度については、IEC 60286-3に準拠
TOP TAPE PEEL FORCE IS DEFINED BY IEC 60286-3.
 - リードテープ長さ
LEAD TAPE LENGTH



| | | | | | |
|------|------|------|------|------------------------------------|--------------------|
| 61.4 | 57.4 | 52.4 | 26.2 | 56 ± 0.3 | 16 |
| | | | | | 15 |
| | | | | | 14 |
| | | | | | 13 |
| | | | | | 12 |
| 49.4 | 45.4 | 40.4 | 20.2 | 44 ± 0.3 | 11 |
| | | | | | 10 |
| | | | | | 9 |
| | | | | | 8 |
| 37.4 | 33.4 | 28.4 | 14.2 | 32 ± 0.3 | 7 |
| | | | | | 6 |
| 29.4 | 25.4 | - | 11.5 | 24 ^{+0.3} _{-0.1} | 5 |
| | | | | | 4 |
| | | | | | 3 |
| | | | | | 2 |
| K | J | H | G | F | 極数 CIRCUIT SIZE |

TABLE 2

| 番号 NO. | 部品 PART | 材質 MATERIAL |
|-----------|--------------------------|---|
| ⑤ | エンボステープ EMBOSSED TAPE | ポリスチレン(PS) POLYSTYLENE(PS) |
| ⑥ | トップテープ TOP TAPE | ポリエチレン(PE), その他 POLYETHYLENE(PE), OTHER |
| ⑦ | リール REEL | ポリスチレン(PS), [リサイクル材を含む] POLYSTYLENE(PS) [RECYCLY MATERIAL CONTAINED] |

THIS DRAWING CONTAINS INFORMATION THAT IS PROPRIETARY TO MOLEX ELECTRONIC TECHNOLOGIES, LLC AND SHOULD NOT BE USED WITHOUT WRITTEN PERMISSION

| | | | |
|--|------------------------|---------------------|------------------------|
| DIMENSION UNITS mm | SCALE NTS | CURRENT REV DESC: | |
| GENERAL TOLERANCES (UNLESS SPECIFIED) | | EC NO: 767521 | |
| ANGULAR TOL | ± 3.0 ° | DRWN: SOKUMURA01 | 2023/10/31 |
| 4 PLACES | ± 0.2 | CHK'D: SAKIYAMA | 2023/11/02 |
| 3 PLACES | ± 0.2 | APPR: AIDA | 2023/11/06 |
| 2 PLACES | ± 0.2 | INITIAL REVISION: | |
| 1 PLACE | ± 0.2 | DRWN: SOKUMURA01 | 2019/07/17 |
| 0 PLACES | ± 0.2 | APPR: MARAI | 2023/08/04 |
| DRAFT WHERE APPLICABLE MUST REMAIN WITHIN DIMENSIONS | THIRD ANGLE PROJECTION | DRAWING A3-SIZE | SERIES 505575 |
| MATERIAL NUMBER SEE SHEET 5 | | CUSTOMER GENERAL | SHEET NUMBER 4 OF 5 |

molex

MICRO-LOCK PLUS 2.0 W/B
SINGLE ROW VERTICAL SMT PLUG ASSEMBLY
GOLD PLATING

PRODUCT CUSTOMER DRAWING

DOCUMENT NUMBER: 5055750002-SD
DOC TYPE: PSD
DOC PART: 000
REVISION: B

△2 適合製品及び各種仕様書 APPLICABLE PRODUCTS AND VARIOUS SPECIFICATIONS

| | |
|----------------------------------|-------------------|
| 梱包仕様書 PACKAGING SPECIFICATION | 5055759200 PS 200 |
|----------------------------------|-------------------|

| | |
|---|--------|
| 適合嵌合相手シリーズ番号 MATE WITH SERIES NUMBER | 505570 |
|---|--------|

| | |
|--------------------------------|----------------------|
| 製品仕様書 PRODUCT SPECIFICATION | 5055700002-PS PS 000 |
|--------------------------------|----------------------|

| | |
|--|-------------------|
| コネクタ取扱説明書 APPLICATION SPECIFICATION | 5055700001 PS A03 |
|--|-------------------|

△6 製品一覧
ORDER NUMBER LIST

カバーテープ有 WITH COVER TAPE

| BLACK | NATURAL(WHITE) | BLACK | NATURAL(WHITE) | BLACK | NATURAL(WHITE) | HOUSING COLOR |
|------------|----------------|------------|----------------|------------|----------------|---------------|
| 5055751651 | 5055751650 | 5055751631 | 5055751630 | 5055751691 | 5055751690 | 16 |
| 5055751551 | 5055751550 | 5055751531 | 5055751530 | 5055751591 | 5055751590 | 15 |
| 5055751451 | 5055751450 | 5055751431 | 5055751430 | 5055751491 | 5055751490 | 14 |
| 5055751351 | 5055751350 | 5055751331 | 5055751330 | 5055751391 | 5055751390 | 13 |
| 5055751251 | 5055751250 | 5055751231 | 5055751230 | 5055751291 | 5055751290 | 12 |
| 5055751151 | 5055751150 | 5055751131 | 5055751130 | 5055751191 | 5055751190 | 11 |
| 5055751051 | 5055751050 | 5055751031 | 5055751030 | 5055751091 | 5055751090 | 10 |
| 5055750951 | 5055750950 | 5055750931 | 5055750930 | 5055750991 | 5055750990 | 9 |
| 5055750851 | 5055750850 | 5055750831 | 5055750830 | 5055750891 | 5055750890 | 8 |
| 5055750751 | 5055750750 | 5055750731 | 5055750730 | 5055750791 | 5055750790 | 7 |
| 5055750651 | 5055750650 | 5055750631 | 5055750630 | 5055750691 | 5055750690 | 6 |
| 5055750551 | 5055750550 | 5055750531 | 5055750530 | 5055750591 | 5055750590 | 5 |
| 5055750451 | 5055750450 | 5055750431 | 5055750430 | 5055750491 | 5055750490 | 4 |
| 5055750351 | 5055750350 | 5055750331 | 5055750330 | 5055750391 | 5055750390 | 3 |
| 5055750251 | 5055750250 | 5055750231 | 5055750230 | 5055750291 | 5055750290 | 2 |

発注番号 : ORDER NUMBER

梱包形態 : エンボステープ、リール
PACKAGING : EMBOSSED TAPE AND REEL

極数
CIRCUIT SIZE

カバーテープ無 WITHOUT COVER TAPE


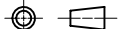
| BLACK | NATURAL(WHITE) | BLACK | NATURAL(WHITE) | BLACK | NATURAL(WHITE) | HOUSING COLOR |
|------------|----------------|------------|----------------|------------|----------------|---------------|
| 5055751641 | 5055751640 | 5055751621 | 5055751620 | 5055751661 | 5055751660 | 16 |
| 5055751541 | 5055751540 | 5055751521 | 5055751520 | 5055751561 | 5055751560 | 15 |
| 5055751441 | 5055751440 | 5055751421 | 5055751420 | 5055751461 | 5055751460 | 14 |
| 5055751341 | 5055751340 | 5055751321 | 5055751320 | 5055751361 | 5055751360 | 13 |
| 5055751241 | 5055751240 | 5055751221 | 5055751220 | 5055751261 | 5055751260 | 12 |
| 5055751141 | 5055751140 | 5055751121 | 5055751120 | 5055751161 | 5055751160 | 11 |
| 5055751041 | 5055751040 | 5055751021 | 5055751020 | 5055751061 | 5055751060 | 10 |
| 5055750941 | 5055750940 | 5055750921 | 5055750920 | 5055750961 | 5055750960 | 9 |
| 5055750841 | 5055750840 | 5055750821 | 5055750820 | 5055750861 | 5055750860 | 8 |
| 5055750741 | 5055750740 | 5055750721 | 5055750720 | 5055750761 | 5055750760 | 7 |
| 5055750641 | 5055750640 | 5055750621 | 5055750620 | 5055750661 | 5055750660 | 6 |
| 5055750541 | 5055750540 | 5055750521 | 5055750520 | 5055750561 | 5055750560 | 5 |
| 5055750441 | 5055750440 | 5055750421 | 5055750420 | 5055750461 | 5055750460 | 4 |
| 5055750341 | 5055750340 | 5055750321 | 5055750320 | 5055750361 | 5055750360 | 3 |
| 5055750241 | 5055750240 | 5055750221 | 5055750220 | 5055750261 | 5055750260 | 2 |

発注番号 : ORDER NUMBER

梱包形態 : エンボステープ、リール
PACKAGING : EMBOSSED TAPE AND REEL

極数
CIRCUIT SIZE

THIS DRAWING CONTAINS INFORMATION THAT IS PROPRIETARY TO MOLEX ELECTRONIC TECHNOLOGIES, LLC AND SHOULD NOT BE USED WITHOUT WRITTEN PERMISSION

| | | | | | | | | | |
|--|----------------|---|---------|---|-----------------|----------|-----------------|--------------|----------|
| DIMENSION UNITS mm | SCALE NTS | CURRENT REV DESC: | |  MICRO-LOCK PLUS 2.0 W/B SINGLE ROW VERTICAL SMT PLUG ASSEMBLY GOLD PLATING | | | | | |
| GENERAL TOLERANCES (UNLESS SPECIFIED) | | EC NO: 767521 | | | | | DOCUMENT NUMBER | DOC TYPE | DOC PART |
| ANGULAR TOL ± 3.0 ° | 4 PLACES ± 0.2 | DRWN: SOKUMURA01 2023/10/31 | | 5055750002-SD | | | PSD | 000 | B |
| 3 PLACES ± 0.2 | 2 PLACES ± 0.2 | CHK'D: SAKIYAMA 2023/11/02 | | PRODUCT CUSTOMER DRAWING | | | | | |
| 1 PLACE ± 0.2 | 0 PLACES ± 0.2 | APPR: AIDA 2023/11/06 | | INITIAL REVISION: | | | | | |
| DRAFT WHERE APPLICABLE MUST REMAIN WITHIN DIMENSIONS | | THIRD ANGLE PROJECTION | DRAWING | SERIES | MATERIAL NUMBER | CUSTOMER | | SHEET NUMBER | |
| | |  | A3-SIZE | 505575 | SEE CHART | GENERAL | | 5 OF 5 | |