

SPECIFICATIONS:

1. MATERIAL:

- (1). BODY: NYLON 66 (PA 66)
- (2). SCREW: STEEL.
- (3). CAGE (*): BRASS
- (4). TERMINAL: PHOSPHOR BRONZE
- (5). COVER: NYLON 66 (PA 66)
- (6). SCREW: STEEL.

2. PRODUCT SPECIFICATION: PS-39500-001

3. PACKAGING SPEC: PK-39514-001

4. WIRE RANGE: 30 - 16AWG

5. TORQUE: 2 in-lbs.

6. WIRE STRIP LENGTH: 6.50/.256

7. NUMBER OF CIRCUIT POSITIONS AVAILABLE = 2 THROUGH 20

8. ASSEMBLY IS ROHS COMPLIANT BY EXEMPTION

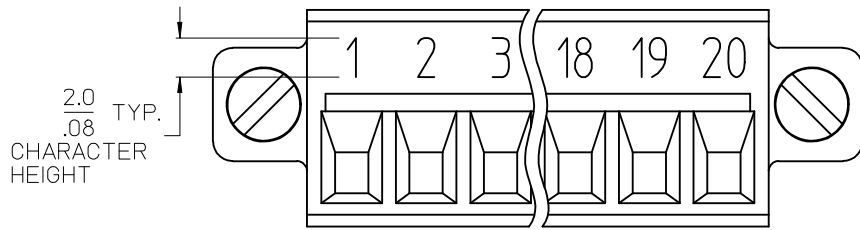
COMPONENTS MARKED WITH AN ASTERISK (*) ARE ROHS COMPLIANT BY EXEMPTION, ALL OTHERS ARE ROHS COMPLIANT

TOLERANCES			
MM	TOL	INCH	TOL
0-6	±0.25	0-.24	±.010
>6-30	±0.40	.24-1.18	±.016
>30-120	±0.50	1.18-4.76	±.020
>120	±0.80	>4.76	±.031

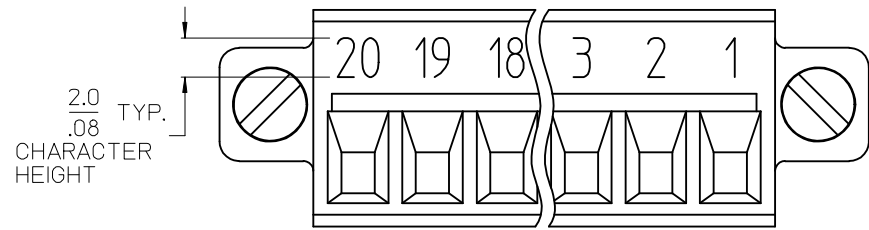
REVISED TITLE BLOCK EC NO: ICG2018-0203 DRW: JBRUPERT 2017/09/25 CHKD: JBRUPERT APPR: JFMURPHY 2017/09/29 REV DESCRIPTION	QUALITY SYMBOLS	GENERAL TOLERANCES (UNLESS SPECIFIED)	DIMENSION STYLE	SCALE	DESIGN UNITS	THIRD ANGLE PROJECTION
	▽=0 ∇=0	mm INCH 4 PLACES ± --- ± --- 3 PLACES ± --- ± --- 2 PLACES ± --- ± --- 1 PLACE ± --- ± --- 0 PLACE ± --- ± ---	MM/IN	1:1	METRIC	☉ □ THIRD ANGLE PROJECTION
	ANGULAR ± --- ° DRAFT WHERE APPLICABLE MUST REMAIN WITHIN DIMENSIONS	DRAWN BY DATE RSTONE 2014/02/19 CHECKED BY DATE K JOZWIK 2014/02/20 APPROVED BY DATE JFMURPHY 2014/05/23	TITLE	3.81 MM EURO PLUG RIGHT ANGLE, MTG ENDS		
	MATERIAL NO. SEE SHEET 2 SIZE B	DOCUMENT NO.	SD-39514-001		SHEET NO.	1 OF 2

THIS DRAWING CONTAINS INFORMATION THAT IS PROPRIETARY TO MOLEX INCORPORATED AND SHOULD NOT BE USED WITHOUT WRITTEN PERMISSION

CIRCUIT SIZE	MATERIAL NUMBERS											DIMENSIONAL INFORMATION								
	BLACK						GREEN					DIM A		DIM B		DIM C		DIM D		
	100% TIN PRINTING OPTIONS			304N GOLD PRINTING OPTIONS			100% TIN PRINTING OPTIONS			304N GOLD PRINTING OPTIONS		mm	INCH	mm	INCH	mm	INCH	mm	INCH	
	NONE	10A	11A	NONE	10A	11A	NONE	10A	11A	NONE	10A									11A
2	395140002	395140102	395140202	395140502	395140602	395140702	395145002	395145102	395145202	395145502	395145602	395145702	18.0	.71	3.8	.15	12.8	.50	8.4	.33
3	395140003	395140103	395140203	395140503	395140603	395140703	395145003	395145103	395145203	395145503	395145603	395145703	21.8	.86	7.6	.30	16.6	.65	12.2	.48
4	395140004	395140104	395140204	395140504	395140604	395140704	395145004	395145104	395145204	395145504	395145604	395145704	25.6	1.01	11.4	.45	20.4	.80	16.0	.63
5	395140005	395140105	395140205	395140505	395140605	395140705	395145005	395145105	395145205	395145505	395145605	395145705	29.4	1.16	15.2	.60	24.2	.95	19.8	.78
6	395140006	395140106	395140206	395140506	395140606	395140706	395145006	395145106	395145206	395145506	395145606	395145706	33.3	1.31	19.1	.75	28.1	1.10	23.7	.93
7	395140007	395140107	395140207	395140507	395140607	395140707	395145007	395145107	395145207	395145507	395145607	395145707	37.1	1.46	22.9	.90	31.9	1.25	27.5	1.08
8	395140008	395140108	395140208	395140508	395140608	395140708	395145008	395145108	395145208	395145508	395145608	395145708	40.9	1.61	26.7	1.05	35.7	1.40	31.3	1.23
9	395140009	395140109	395140209	395140509	395140609	395140709	395145009	395145109	395145209	395145509	395145609	395145709	44.7	1.76	30.5	1.20	39.5	1.55	35.1	1.38
10	395140010	395140110	395140210	395140510	395140610	395140710	395145010	395145110	395145210	395145510	395145610	395145710	48.5	1.91	34.3	1.35	43.3	1.70	38.9	1.53
11	395140011	395140111	395140211	395140511	395140611	395140711	395145011	395145111	395145211	395145511	395145611	395145711	52.3	2.06	38.1	1.50	47.1	1.85	42.7	1.68
12	395140012	395140112	395140212	395140512	395140612	395140712	395145012	395145112	395145212	395145512	395145612	395145712	56.1	2.21	41.9	1.65	50.9	2.00	46.5	1.83
13	395140013	395140113	395140213	395140513	395140613	395140713	395145013	395145113	395145213	395145513	395145613	395145713	59.9	2.36	45.7	1.80	54.7	2.15	50.3	1.98
14	395140014	395140114	395140214	395140514	395140614	395140714	395145014	395145114	395145214	395145514	395145614	395145714	63.7	2.51	49.5	1.95	58.5	2.30	54.1	2.13
15	395140015	395140115	395140215	395140515	395140615	395140715	395145015	395145115	395145215	395145515	395145615	395145715	67.5	2.66	53.3	2.10	62.3	2.45	57.9	2.28
16	395140016	395140116	395140216	395140516	395140616	395140716	395145016	395145116	395145216	395145516	395145616	395145716	71.4	2.81	57.2	2.25	66.2	2.60	61.8	2.43
17	395140017	395140117	395140217	395140517	395140617	395140717	395145017	395145117	395145217	395145517	395145617	395145717	75.2	2.96	61.0	2.40	70.0	2.75	65.6	2.58
18	395140018	395140118	395140218	395140518	395140618	395140718	395145018	395145118	395145218	395145518	395145618	395145718	79.0	3.11	64.8	2.55	73.8	2.90	69.4	2.73
19	395140019	395140119	395140219	395140519	395140619	395140719	395145019	395145119	395145219	395145519	395145619	395145719	82.8	3.26	68.6	2.70	77.6	3.05	73.2	2.88
20	395140020	395140120	395140220	395140520	395140620	395140720	395145020	395145120	395145220	395145520	395145620	395145720	86.6	3.41	72.4	2.85	81.4	3.20	77.0	3.03



10A IMPRINTING



11A IMPRINTING

TOLERANCES			
MM	TOL	INCH	TOL
0-6	±0.25	0-.24	±.010
>6-30	±0.40	.24-1.18	±.016
>30-120	±0.50	1.18-4.76	±.020
>120	±0.80	>4.76	±.031

REVISED TITLE BLOCK
 EC NO: IPG2018-0203
 DRAWN: BRUPERT 2017/09/25
 CHKD:
 APPR: JFMURPHY 2017/09/29
 REV DESCRIPTION

QUALITY SYMBOLS
 ▽=0
 ▽=0

GENERAL TOLERANCES (UNLESS SPECIFIED)

	mm	INCH
4 PLACES	± ---	± ---
3 PLACES	± ---	± ---
2 PLACES	± ---	± ---
1 PLACE	± ---	± ---
0 PLACE	± ---	± ---

ANGULAR ± ---°
 DRAFT WHERE APPLICABLE
 MUST REMAIN WITHIN DIMENSIONS

DIMENSION STYLE
 MM/IN

DRAWN BY DATE
 RSTONE 2014/02/19

CHECKED BY DATE
 K JOZWIK 2014/02/20

APPROVED BY DATE
 JFMURPHY 2014/05/23

MATERIAL NO.
 SEE CHART

SIZE B

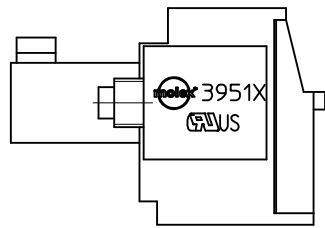
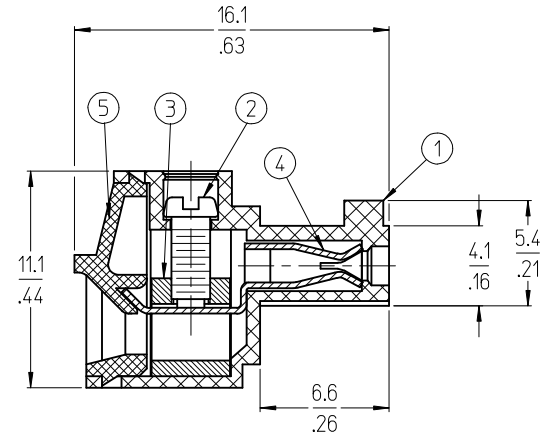
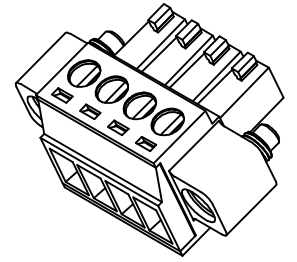
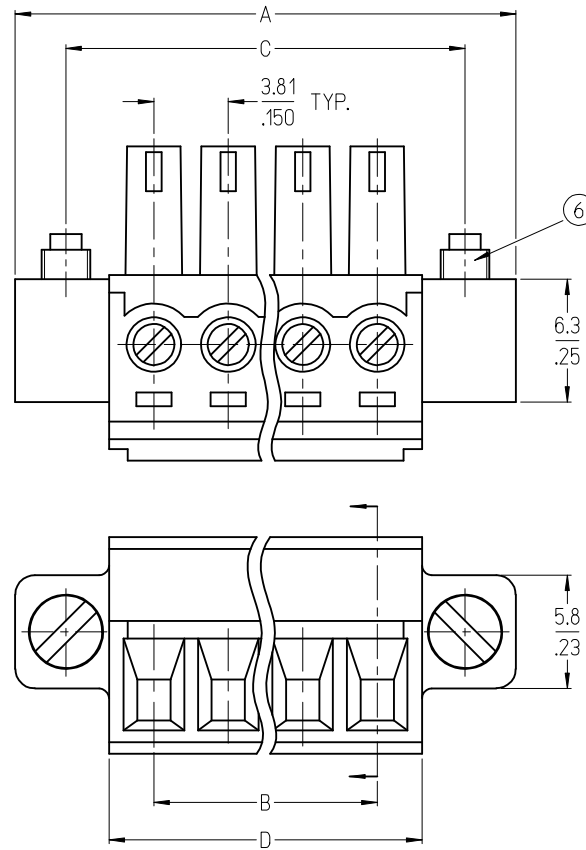
SCALE 1:1
 DESIGN UNITS METRIC
 THIRD ANGLE PROJECTION

3.81 MM EURO PLUG
 RIGHT ANGLE, MTG ENDS

molex

DOCUMENT NO. SD-39514-001
 SHEET NO. 2 OF 2

THIS DRAWING CONTAINS INFORMATION THAT IS PROPRIETARY TO MOLEX INCORPORATED AND SHOULD NOT BE USED WITHOUT WRITTEN PERMISSION



SPECIFICATIONS:

1. MATERIAL:

- (1). BODY: NYLON 66 (PA 66)
- (2). SCREW: STEEL.
- (3). CAGE (*): BRASS
- (4). TERMINAL: PHOSPHOR BRONZE
- (5). COVER: NYLON 66 (PA 66)
- (6). SCREW: STEEL.

2. PRODUCT SPECIFICATION: PS-39500-001

3. PACKAGING SPEC: PK-39514-001

4. WIRE RANGE: 30 - 16AWG

5. TORQUE: 2 in-lbs.

6. WIRE STRIP LENGTH: 6.50/256

7. NUMBER OF CIRCUIT POSITIONS AVAILABLE = 2 THROUGH 20

8. ASSEMBLY IS ROHS COMPLIANT BY EXEMPTION

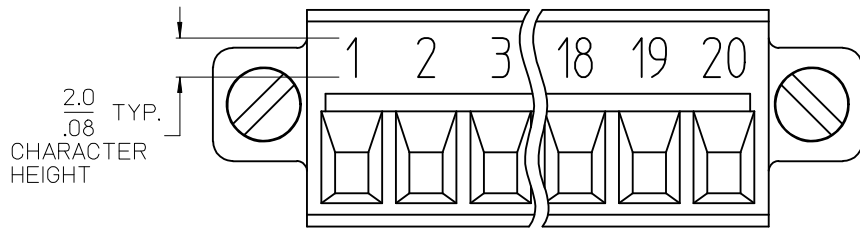
COMPONENTS MARKED WITH AN ASTERISK (*) ARE ROHS COMPLIANT BY EXEMPTION, ALL OTHERS ARE ROHS COMPLIANT

TOLERANCES			
MM	TOL	INCH	TOL
0-6	±0.25	0-.24	±.010
>6-30	±0.40	.24-1.18	±.016
>30-120	±0.50	1.18-4.76	±.020
>120	±0.80	>4.76	±.031

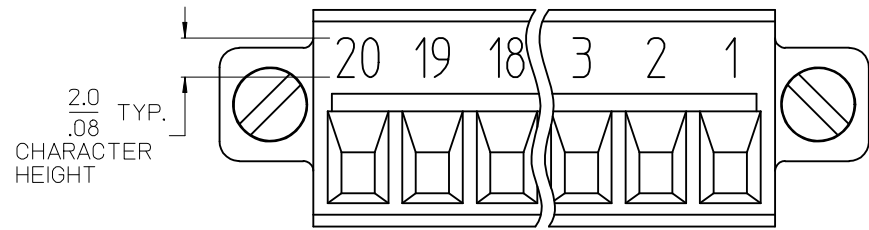
REVISED TITLE BLOCK EC NO: ICG2018-0203 DRW: JBRUPERT 2017/09/25 CHKD: JFMURPHY APPR: JFMURPHY 2017/09/29 REV DESCRIPTION	QUALITY SYMBOLS	GENERAL TOLERANCES (UNLESS SPECIFIED)	DIMENSION STYLE	SCALE	DESIGN UNITS	THIRD ANGLE PROJECTION
	▼=0 ▽=0	mm INCH 4 PLACES ± --- ± --- 3 PLACES ± --- ± --- 2 PLACES ± --- ± --- 1 PLACE ± --- ± --- 0 PLACE ± --- ± ---	MM/IN	1:1	METRIC	☉ □ THIRD ANGLE PROJECTION
	ANGULAR ± --- ° DRAFT WHERE APPLICABLE MUST REMAIN WITHIN DIMENSIONS	DRAWN BY DATE RSTONE 2014/02/19 CHECKED BY DATE K JOZWIK 2014/02/20 APPROVED BY DATE JFMURPHY 2014/05/23	TITLE	3.81 MM EURO PLUG RIGHT ANGLE, MTG ENDS		
	MATERIAL NO. SEE SHEET 2 SIZE B	DOCUMENT NO.	SD-39514-001		SHEET NO.	1 OF 2

THIS DRAWING CONTAINS INFORMATION THAT IS PROPRIETARY TO MOLEX INCORPORATED AND SHOULD NOT BE USED WITHOUT WRITTEN PERMISSION

CIRCUIT SIZE	MATERIAL NUMBERS											DIMENSIONAL INFORMATION								
	BLACK						GREEN					DIM A		DIM B		DIM C		DIM D		
	100% TIN PRINTING OPTIONS			304N GOLD PRINTING OPTIONS			100% TIN PRINTING OPTIONS			304N GOLD PRINTING OPTIONS		mm	INCH	mm	INCH	mm	INCH	mm	INCH	
	NONE	10A	11A	NONE	10A	11A	NONE	10A	11A	NONE	10A									11A
2	395140002	395140102	395140202	395140502	395140602	395140702	395145002	395145102	395145202	395145502	395145602	395145702	18.0	.71	3.8	.15	12.8	.50	8.4	.33
3	395140003	395140103	395140203	395140503	395140603	395140703	395145003	395145103	395145203	395145503	395145603	395145703	21.8	.86	7.6	.30	16.6	.65	12.2	.48
4	395140004	395140104	395140204	395140504	395140604	395140704	395145004	395145104	395145204	395145504	395145604	395145704	25.6	1.01	11.4	.45	20.4	.80	16.0	.63
5	395140005	395140105	395140205	395140505	395140605	395140705	395145005	395145105	395145205	395145505	395145605	395145705	29.4	1.16	15.2	.60	24.2	.95	19.8	.78
6	395140006	395140106	395140206	395140506	395140606	395140706	395145006	395145106	395145206	395145506	395145606	395145706	33.3	1.31	19.1	.75	28.1	1.10	23.7	.93
7	395140007	395140107	395140207	395140507	395140607	395140707	395145007	395145107	395145207	395145507	395145607	395145707	37.1	1.46	22.9	.90	31.9	1.25	27.5	1.08
8	395140008	395140108	395140208	395140508	395140608	395140708	395145008	395145108	395145208	395145508	395145608	395145708	40.9	1.61	26.7	1.05	35.7	1.40	31.3	1.23
9	395140009	395140109	395140209	395140509	395140609	395140709	395145009	395145109	395145209	395145509	395145609	395145709	44.7	1.76	30.5	1.20	39.5	1.55	35.1	1.38
10	395140010	395140110	395140210	395140510	395140610	395140710	395145010	395145110	395145210	395145510	395145610	395145710	48.5	1.91	34.3	1.35	43.3	1.70	38.9	1.53
11	395140011	395140111	395140211	395140511	395140611	395140711	395145011	395145111	395145211	395145511	395145611	395145711	52.3	2.06	38.1	1.50	47.1	1.85	42.7	1.68
12	395140012	395140112	395140212	395140512	395140612	395140712	395145012	395145112	395145212	395145512	395145612	395145712	56.1	2.21	41.9	1.65	50.9	2.00	46.5	1.83
13	395140013	395140113	395140213	395140513	395140613	395140713	395145013	395145113	395145213	395145513	395145613	395145713	59.9	2.36	45.7	1.80	54.7	2.15	50.3	1.98
14	395140014	395140114	395140214	395140514	395140614	395140714	395145014	395145114	395145214	395145514	395145614	395145714	63.7	2.51	49.5	1.95	58.5	2.30	54.1	2.13
15	395140015	395140115	395140215	395140515	395140615	395140715	395145015	395145115	395145215	395145515	395145615	395145715	67.5	2.66	53.3	2.10	62.3	2.45	57.9	2.28
16	395140016	395140116	395140216	395140516	395140616	395140716	395145016	395145116	395145216	395145516	395145616	395145716	71.4	2.81	57.2	2.25	66.2	2.60	61.8	2.43
17	395140017	395140117	395140217	395140517	395140617	395140717	395145017	395145117	395145217	395145517	395145617	395145717	75.2	2.96	61.0	2.40	70.0	2.75	65.6	2.58
18	395140018	395140118	395140218	395140518	395140618	395140718	395145018	395145118	395145218	395145518	395145618	395145718	79.0	3.11	64.8	2.55	73.8	2.90	69.4	2.73
19	395140019	395140119	395140219	395140519	395140619	395140719	395145019	395145119	395145219	395145519	395145619	395145719	82.8	3.26	68.6	2.70	77.6	3.05	73.2	2.88
20	395140020	395140120	395140220	395140520	395140620	395140720	395145020	395145120	395145220	395145520	395145620	395145720	86.6	3.41	72.4	2.85	81.4	3.20	77.0	3.03



10A IMPRINTING



11A IMPRINTING

TOLERANCES			
MM	TOL	INCH	TOL
0-6	±0.25	0-.24	±.010
>6-30	±0.40	.24-1.18	±.016
>30-120	±0.50	1.18-4.76	±.020
>120	±0.80	>4.76	±.031

REVISED TITLE BLOCK
 EC NO: IPG2018-0203
 DRAWN: BRUPERT 2017/09/25
 CHKD:
 APPR: JFMURPHY 2017/09/29
 REV DESCRIPTION

QUALITY SYMBOLS
 ▼=0
 ▽=0

GENERAL TOLERANCES (UNLESS SPECIFIED)

	mm	INCH
4 PLACES	± ---	± ---
3 PLACES	± ---	± ---
2 PLACES	± ---	± ---
1 PLACE	± ---	± ---
0 PLACE	± ---	± ---

ANGULAR ± ---°
 DRAFT WHERE APPLICABLE
 MUST REMAIN WITHIN DIMENSIONS

DIMENSION STYLE
 MM/IN

DRAWN BY DATE
 RSTONE 2014/02/19

CHECKED BY DATE
 K JOZWIK 2014/02/20

APPROVED BY DATE
 JFMURPHY 2014/05/23

MATERIAL NO.
 SEE CHART

SIZE B

SCALE 1:1
 DESIGN UNITS METRIC
 THIRD ANGLE PROJECTION

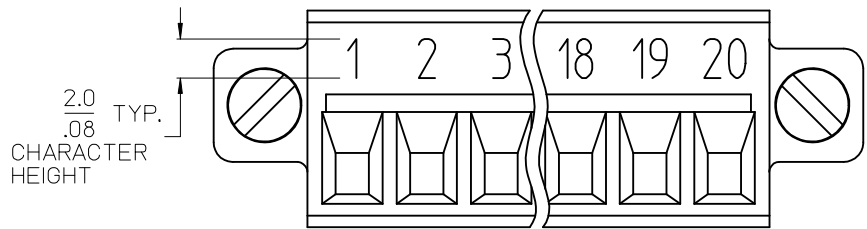
3.81 MM EURO PLUG
 RIGHT ANGLE, MTG ENDS

molex

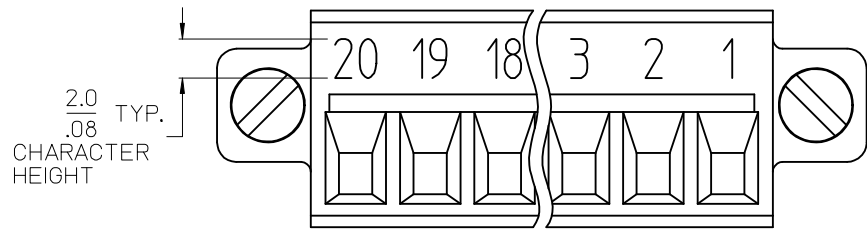
DOCUMENT NO. SD-39514-001
 SHEET NO. 2 OF 2

THIS DRAWING CONTAINS INFORMATION THAT IS PROPRIETARY TO MOLEX INCORPORATED AND SHOULD NOT BE USED WITHOUT WRITTEN PERMISSION

Circuit size	Material Numbers										
	Black						Green				
	100% Tin			30 u" Gold			100% Tin			30 u" Gold	
	Printing Options			Printing Options			Printing Options			Printing Options	
None	10A	11A	None	10A	11A	None	10A	11A	None	10A	
2	395140002	395140102	395140202	395140502	395140602	395140702	395145002	395145102	395145202	395145502	395145602
3	395140003	395140103	395140203	395140503	395140603	395140703	395145003	395145103	395145203	395145503	395145603
4	395140004	395140104	395140204	395140504	395140604	395140704	395145004	395145104	395145204	395145504	395145604
5	395140005	395140105	395140205	395140505	395140605	395140705	395145005	395145105	395145205	395145505	395145605
6	395140006	395140106	395140206	395140506	395140606	395140706	395145006	395145106	395145206	395145506	395145606
7	395140007	395140107	395140207	395140507	395140607	395140707	395145007	395145107	395145207	395145507	395145607
8	395140008	395140108	395140208	395140508	395140608	395140708	395145008	395145108	395145208	395145508	395145608
9	395140009	395140109	395140209	395140509	395140609	395140709	395145009	395145109	395145209	395145509	395145609
10	395140010	395140110	395140210	395140510	395140610	395140710	395145010	395145110	395145210	395145510	395145610
11	395140011	395140111	395140211	395140511	395140611	395140711	395145011	395145111	395145211	395145511	395145611
12	395140012	395140112	395140212	395140512	395140612	395140712	395145012	395145112	395145212	395145512	395145612
13	395140013	395140113	395140213	395140513	395140613	395140713	395145013	395145113	395145213	395145513	395145613
14	395140014	395140114	395140214	395140514	395140614	395140714	395145014	395145114	395145214	395145514	395145614
15	395140015	395140115	395140215	395140515	395140615	395140715	395145015	395145115	395145215	395145515	395145615
16	395140016	395140116	395140216	395140516	395140616	395140716	395145016	395145116	395145216	395145516	395145616
17	395140017	395140117	395140217	395140517	395140617	395140717	395145017	395145117	395145217	395145517	395145617
18	395140018	395140118	395140218	395140518	395140618	395140718	395145018	395145118	395145218	395145518	395145618
19	395140019	395140119	395140219	395140519	395140619	395140719	395145019	395145119	395145219	395145519	395145619
20	395140020	395140120	395140220	395140520	395140620	395140720	395145020	395145120	395145220	395145520	395145620



10A IMPRINTING



11A IMPRINTING

SEE SHEET ONE EC NO: WNA2010-0708 D: DRW/ACL/YORK 2010/06/29 CHK/D:DT/ITUS 2006/03/20 APPR:DT/ITUS 2010/07/09 REV DESCRIPTION	QUALITY SYMBOLS	GENERAL TOLERANCES (UNLESS SPECIFIED)	DIMENSION STYLE	SCALE	DESIGN UNITS	THIRD ANGLE PROJECTION
	▽=0 ▽=0	mm INCH	MM/IN	4:1	INCH	
		4 PLACES ± --- ± ---	DRAWN BY DATE	TITLE 3.81MM, EURO PLUG, RIGHT ANGLE, MTG ENDS		
		3 PLACES ± --- ± .005	EHILE 2006/03/20			
	2 PLACES ± 0.13 ± .01	CHECKED BY DATE	MOLEX INCORPORATED			
	1 PLACE ± 0.3 ± ---	EHILE 2006/03/20				
	ANGULAR ± 2 °	APPROVED BY DATE	DOCUMENT NO.	SHEET NO. 2 OF 2		
		RDEROSS 2006/03/20	SD-39514-001			
	DRAFT WHERE APPLICABLE MUST REMAIN WITHIN DIMENSIONS	MATERIAL NO.	THIS DRAWING CONTAINS INFORMATION THAT IS PROPRIETARY TO MOLEX INCORPORATED AND SHOULD NOT BE USED WITHOUT WRITTEN PERMISSION			
		SIZE B				