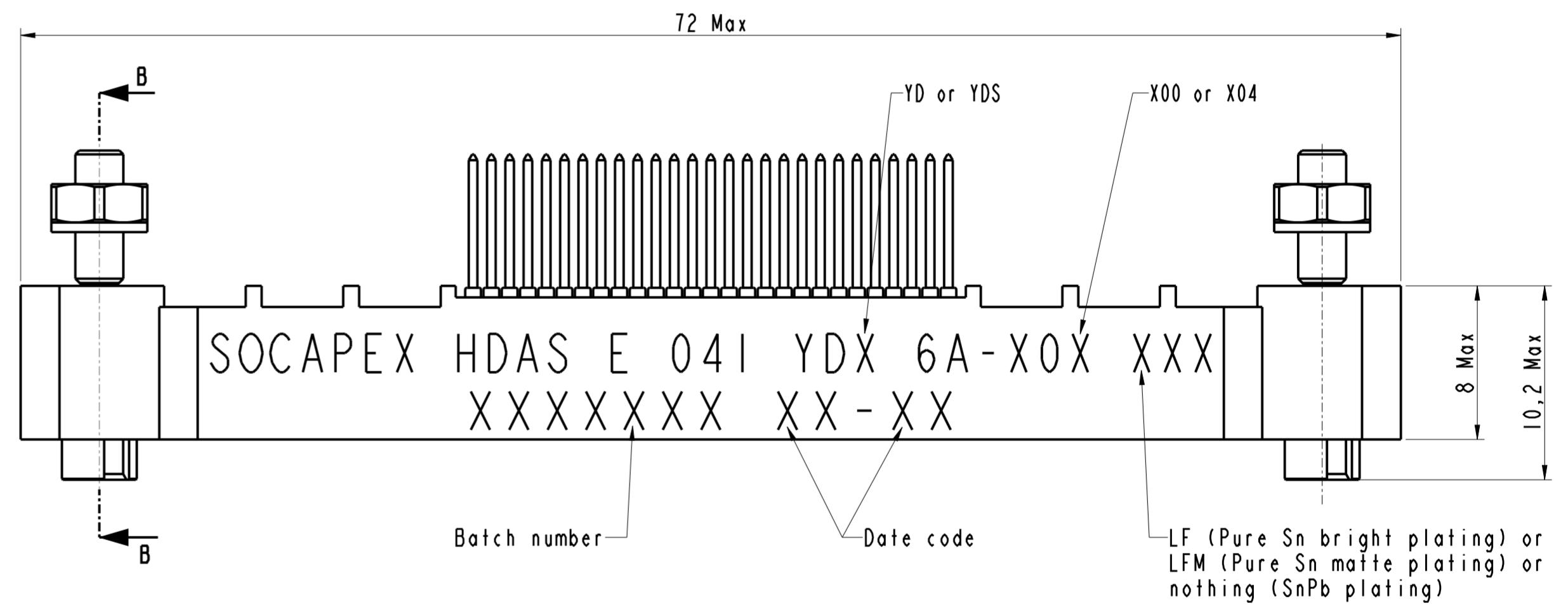
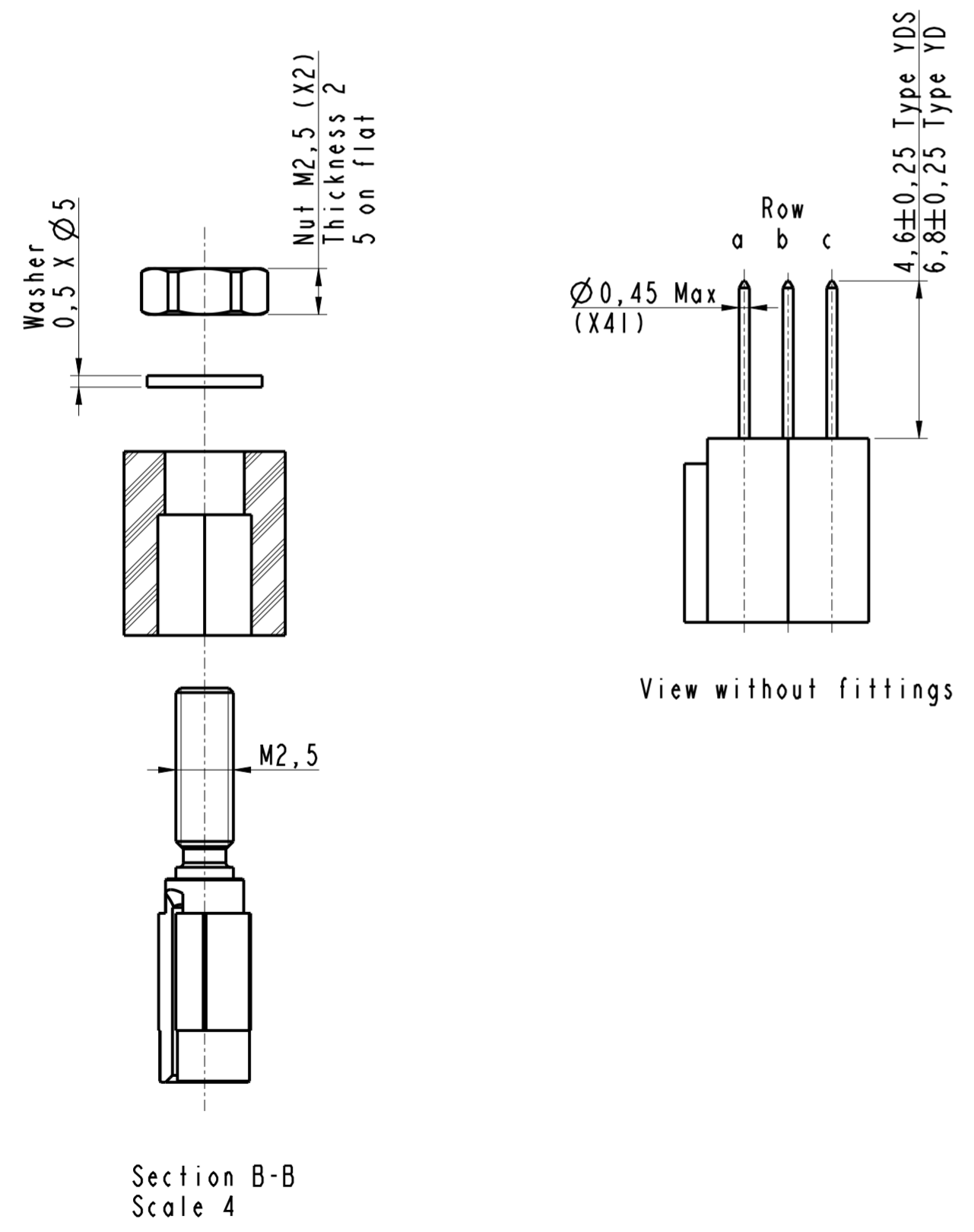
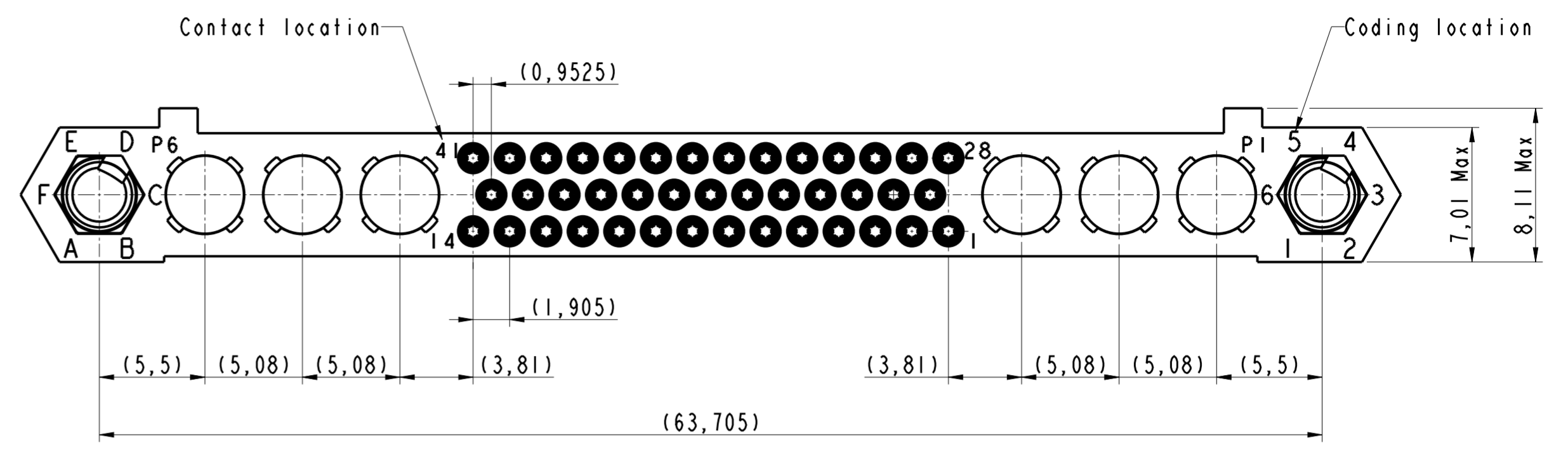
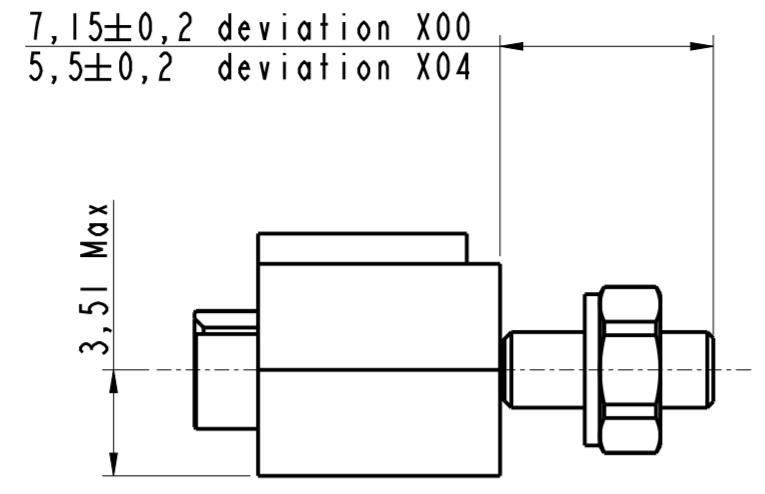


IN THE CONSTANT PURPOSE OF IMPROVING ITS PRODUCTS, AMPHENOL SOCAPEX RESERVES THE RIGHT TO MODIFY ANY DIMENSION OR CHARACTERISTICS. FM.NPD.0037.THYZEZ.PUNE rev C

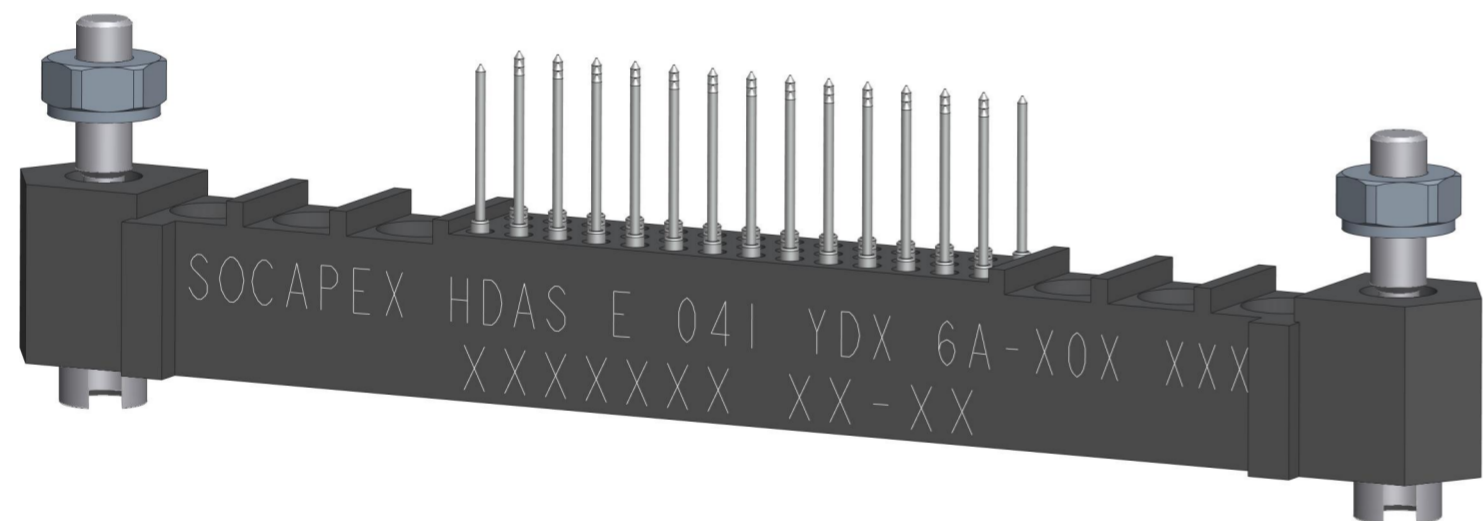
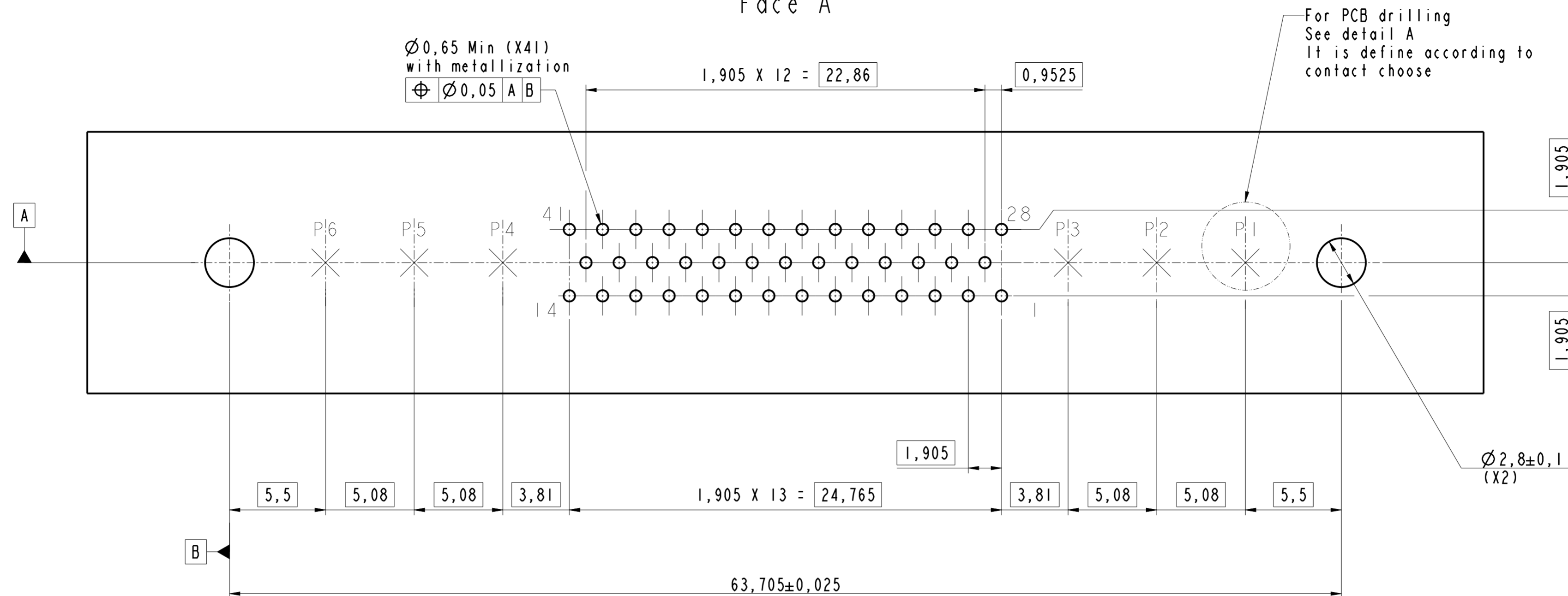


Notes:

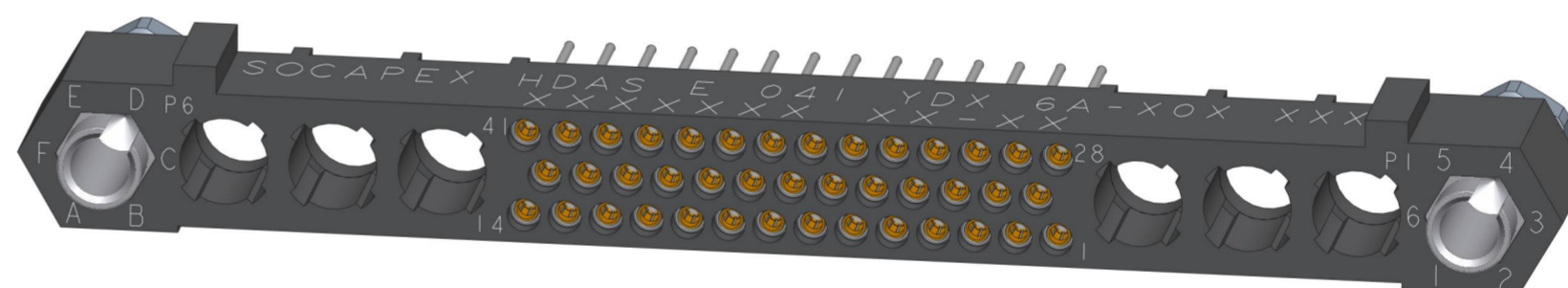
1. Part: HDAS E 041 YDX 6A-X0X XXX
2. External dimensions of a receptacle insulator with 41 signal contacts type YDX and 6 cavities for special contacts.
3. Connector delivered with signal contacts but without special contacts.
4. Connector delivered with fittings not assembled, coupling torque : 0,25 Nm
5. Standard 00X : Nickel plated over brass fittings.
Deviation 10X : Passivated stainless steel fittings.

HDAS E 041 YDX 6A-X0X XXX			
DRAWN BY: S Satpute		UPDATED BY: S Satpute	
		LAST APPROVED BY: T Carlier	
ALL DIMENSIONS ARE IN MM	AMPHENOL SOCAPEX		ORIGINAL DRAWING DATE: 03/07/2018
SCALE: 4	B.P. 29 74311 THYZEZ CEDEX		CONFIGURATION DATA ARE AVAILABLE IN PDM
		REV: H	PAGE: 1/2
		169-PLC-1362-00	

PCB Layout Face A



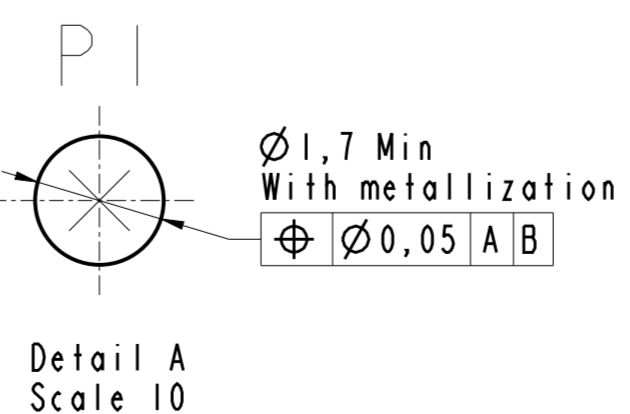
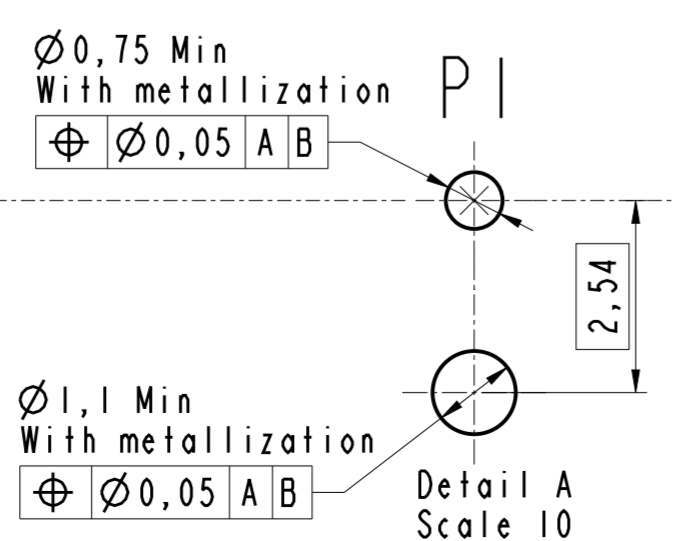
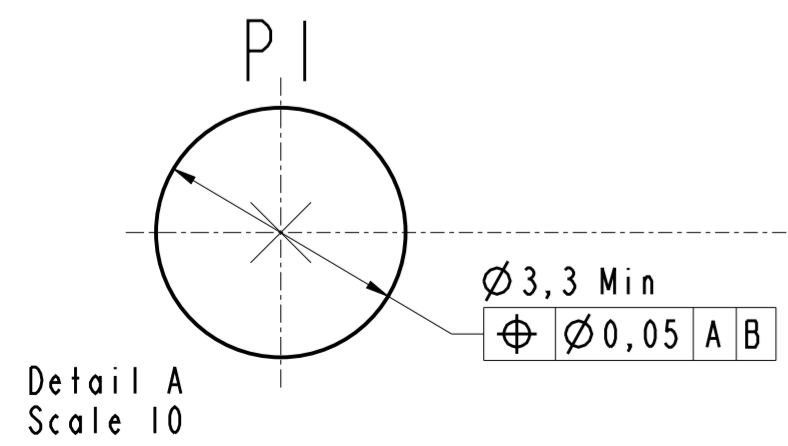
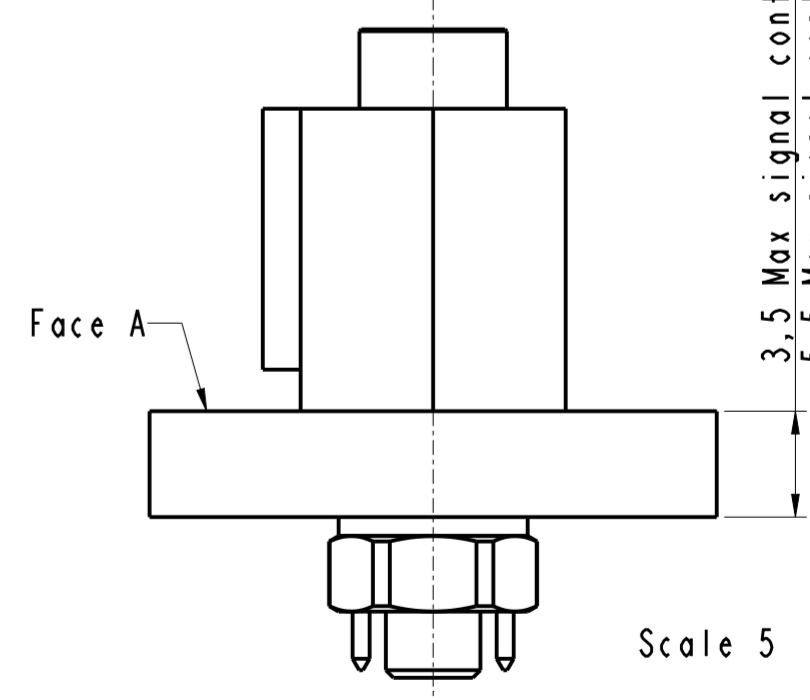
Scale 3



PCB drilling for Male or Female power contact MH2 or FH2 (20A)

PCB drilling for Male or Female coax contact M041 or F041

PCB drilling for Crimp coax contact 612097 or 612103



HDAS E 041 YDX 6A-X0X XXX			
DRAWN BY: S Satpute	UPDATED BY: S Satpute	LAST APPROVED BY: T Carrier	
ALL DIMENSIONS ARE IN MM	AMPHENOL SOCAPEX		ORIGINAL DRAWING DATE: 03/07/2018
SCALE: 5	B.P. 29 74311 THYEZ CEDEX		CONFIGURATION DATA ARE AVAILABLE IN PDM
		REV: H	PAGE: 2/2
169-PLC-1362-00			

IN THE CONSTANT PURPOSE OF IMPROVING ITS PRODUCTS, Amphenol SocapeX RESERVES THE RIGHT TO MODIFY ANY DIMENSION OR CHARACTERISTICS. FM.NPD.0037.THYEZ.PUNE rev C