

HC-M-B24-DOCK-B - Docking frame



1051227

<https://www.phoenixcontact.com/us/products/1051227>

Please be informed that the data shown in this PDF document is generated from our online catalog. Please find the complete data in the user documentation. Our general terms of use for downloads are valid.

Docking frame for 6 modules, floating assembly, rack compensation of ± 2.0 mm in the x/y-axis



Product description

Docking frame, floating assembly, rack compensation of ± 2.0 mm in the x/y axis

Commercial data

Item number	1051227
Packing unit	1 pc
Minimum order quantity	1 pc
Sales key	BF62
Product key	BF7ACZ
GTIN	4055626673080
Weight per piece (including packing)	137.4 g
Weight per piece (excluding packing)	137.4 g
Customs tariff number	85389099
Country of origin	CN

HC-M-B24-DOCK-B - Docking frame



1051227

<https://www.phoenixcontact.com/us/products/1051227>

Technical data

Product properties

Product type	Docking frame
Series	HC-M-B
	HC-M-02
	HC-M-03
	HC-M-03/04
	HC-M-04
	HC-M-05
	HC-M-06
	HC-M-08
	HC-M-08-GBIT
	HC-M-12
	HC-M-17
	HC-M-20
	HC-M-25
	HC-M-DSUB
	HC-M-EMV
	HC-M-HV
	HC-M-HS
HC-M-00	
Application	Modular docking frame
Type	B24
Number of module slots	6
Frame type	Docking frames

Material specifications

Material	Zinc die-cast
----------	---------------

Mounting

Mounting type	Direct mounting with flange
Assembly instructions	Optional PE connection possible
	When using the module carrier frame in metal housings, the connection of the PE conductor must be ensured via the PE connection provided on the module carrier frame or via a special metal PE module

HC-M-B24-DOCK-B - Docking frame

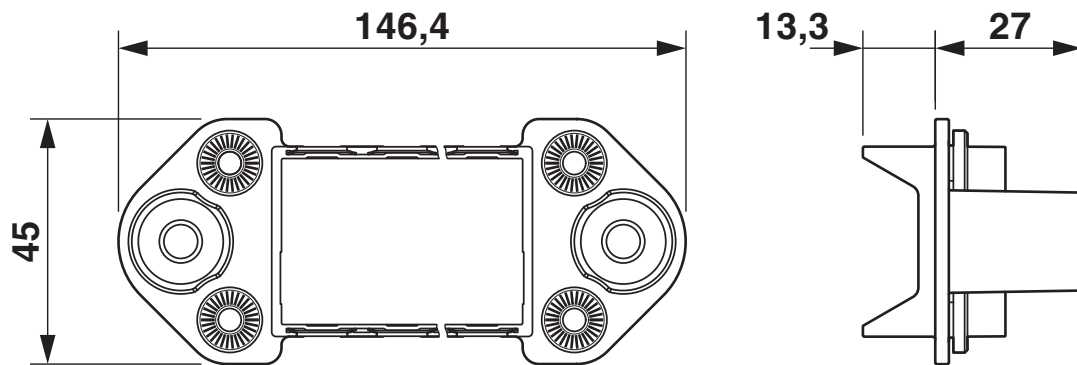


1051227

<https://www.phoenixcontact.com/us/products/1051227>

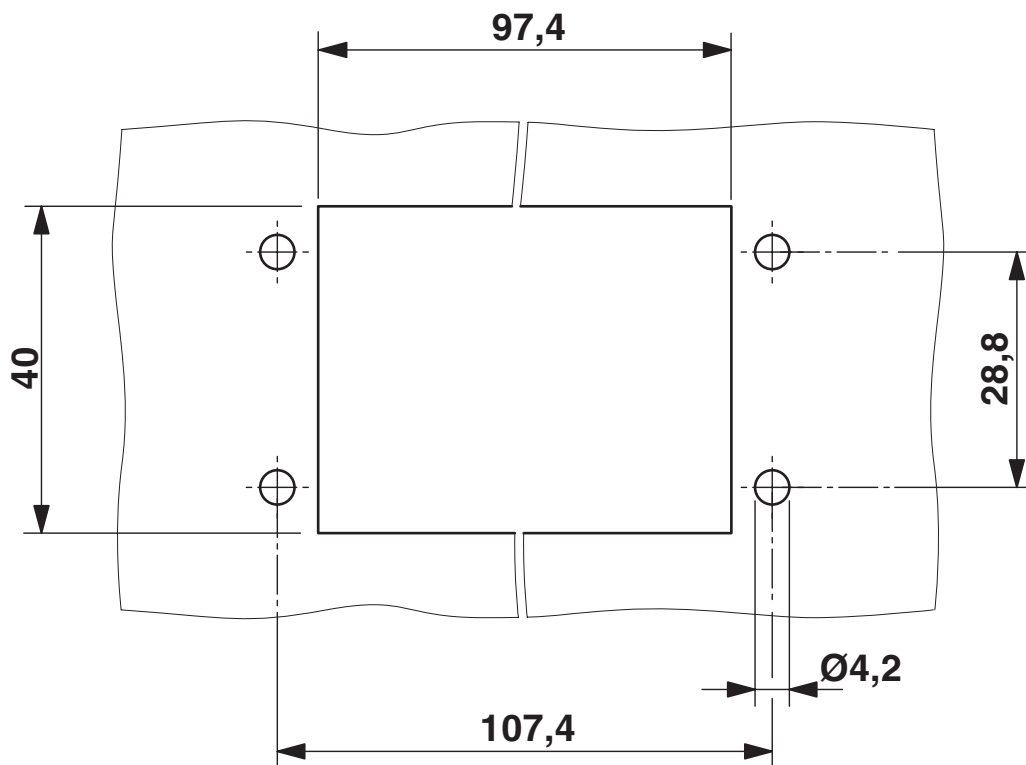
Drawings

Dimensional drawing



Dimensional drawing

Dimensional drawing



Mounting cutout

HC-M-B24-DOCK-B - Docking frame



1051227

<https://www.phoenixcontact.com/us/products/1051227>

Classifications

ECLASS

ECLASS-11.0	27440206
ECLASS-12.0	27440206
ECLASS-13.0	27440206

ETIM

ETIM 9.0	EC002312
----------	----------

UNSPSC

UNSPSC 21.0	31261500
-------------	----------

HC-M-B24-DOCK-B - Docking frame



1051227

<https://www.phoenixcontact.com/us/products/1051227>

Environmental product compliance

EU RoHS

Fulfills EU RoHS substance requirements	Yes, No exemptions
-----------------------------------------	--------------------

China RoHS

Environment friendly use period (EFUP)	EFUP-E
	No hazardous substances above the limits

EU REACH SVHC

REACH candidate substance (CAS No.)	No substance above 0.1 wt%
-------------------------------------	----------------------------

HC-M-B24-DOCK-B - Docking frame



1051227

<https://www.phoenixcontact.com/us/products/1051227>

Accessories

HC-MOD-ANDOCK-USCH - Washer

1587496

<https://www.phoenixcontact.com/us/products/1587496>

Special washer for floating mounting of docking frame



HC-M-B24-DOCK-H - Docking frame

1051222

<https://www.phoenixcontact.com/us/products/1051222>

Docking frame for 6 modules, fixed assembly, rack compensation of ± 2.0 mm in the x/y-axis



Phoenix Contact 2024 © - all rights reserved

<https://www.phoenixcontact.com>

Phoenix Contact USA
586 Fulling Mill Road
Middletown, PA 17057, United States
(+717) 944-1300
info@phoenixcon.com