

# HC-EVO-B10-BWSC-PLRBK - Housing



1407633

<https://www.phoenixcontact.com/us/products/1407633>

Please be informed that the data shown in this PDF document is generated from our online catalog. Please find the complete data in the user documentation. Our general terms of use for downloads are valid.



Panel mounting base B10, with single locking latch, material: PA, protective cover material: PC, height: 30.5 mm, cable gland: none, protective cover: yes, Standard, with flat gasket

## Your advantages

- Lower costs than metal version
- Low weight
- Lower risk of condensation

## Commercial data

Item number	1407633
Packing unit	1 pc
Minimum order quantity	1 pc
Sales key	BF57
Product key	BF7APL
Catalog page	Page 604 (C-2-2019)
GTIN	4046356776950
Weight per piece (including packing)	113.1 g
Weight per piece (excluding packing)	110.9 g
Customs tariff number	85389099
Country of origin	PL

# HC-EVO-B10-BWSC-PLRBK - Housing



1407633

<https://www.phoenixcontact.com/us/products/1407633>

## Technical data

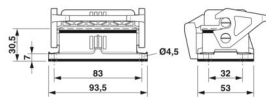
### Notes

General	For contact inserts HC-B10, BB18, DD42, M, K8/24, HV03-I-PT, HC- 3-E...C
---------	--

### Product properties

Product type	Housing with locking latch
Housing type	Panel mounting base
Product family	HC-EVO-B
Application	Standard
Type	B10
Protective cover	yes
Pg screw connection	none

### Dimensions

Dimensional drawing	
Width	53 mm
Height	30.5 mm
Length	93.5 mm
Drill hole distance, horizontal	83 mm
Drill hole distance, vertical	32 mm
Hole diameter	4.5 mm

### Installation dimensions

Width of the assembly cutout	35 mm
Length of the assembly cutout	65 mm

### Material specifications

Flammability rating according to UL 94	V0 (Housing)
	V0 (Interlock)
	V0 (Protective cover)
Seal material	NBR
	NBR
Housing material	PA
Material, protective cover	PC
Locking latch material	PA
Impact strength	IK08

## Mechanical properties

### Mechanical data

# HC-EVO-B10-BWSC-PLRBK - Housing



1407633

<https://www.phoenixcontact.com/us/products/1407633>

Locking type	Latch
--------------	-------

## Mounting

Assembly instructions	Not for D series terminal adapters
	Not for HC-B 24-ADP-B..... adapter plates

## Environmental and real-life conditions

### Ambient conditions

Degree of protection	IP66 (when plugged in or with locked protective cover)
Enclosure rating (NEMA)	12 (UL 50e)
Impact strength	IK08
Ambient temperature (operation)	-40 °C ... 125 °C

# HC-EVO-B10-BWSC-PLRBK - Housing

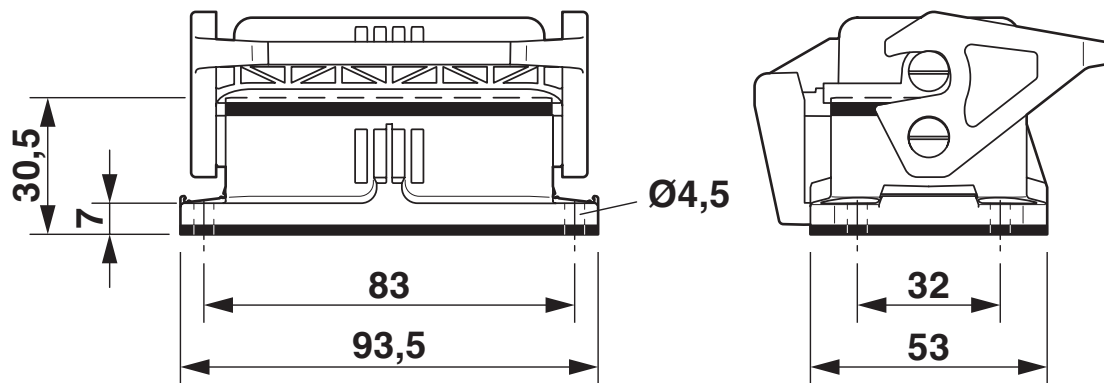


1407633

<https://www.phoenixcontact.com/us/products/1407633>

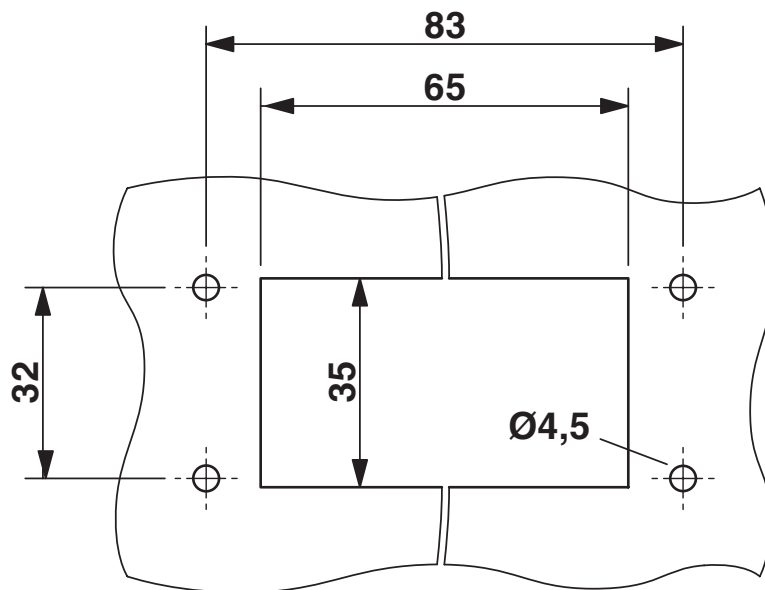
## Drawings

Dimensional drawing



Dimensional drawing

Dimensional drawing



Mounting cutout

# HC-EVO-B10-BWSC-PLRBK - Housing



1407633

<https://www.phoenixcontact.com/us/products/1407633>

## Approvals

🔗 To download certificates, visit the product detail page: <https://www.phoenixcontact.com/us/products/1407633>

**DNV**

Approval ID: TAE000037S



**EAC**

Approval ID: RU C-DE.AI30.B.01102



**EAC**

Approval ID: RU C-DE.BL08.B.00511

# HC-EVO-B10-BWSC-PLRBK - Housing



1407633

<https://www.phoenixcontact.com/us/products/1407633>

## Classifications

### ECLASS

ECLASS-11.0	27440202
ECLASS-12.0	27440202
ECLASS-13.0	27440202

### ETIM

ETIM 9.0	EC000437
----------	----------

### UNSPSC

UNSPSC 21.0	31261500
-------------	----------

1407633

<https://www.phoenixcontact.com/us/products/1407633>

## Environmental product compliance

### EU RoHS

Fulfills EU RoHS substance requirements	Yes, No exemptions
---	--------------------

### China RoHS

Environment friendly use period (EFUP)	EFUP-E
	No hazardous substances above the limits

### EU REACH SVHC

REACH candidate substance (CAS No.)	No substance above 0.1 wt%
-------------------------------------	----------------------------

# HC-EVO-B10-BWSC-PLRBK - Housing



1407633

<https://www.phoenixcontact.com/us/products/1407633>

## Accessories

### HC-B10-SG-RBK - Flat gasket

1407703

<https://www.phoenixcontact.com/us/products/1407703>

Replacement flat gasket, for HEAVYCON EVO panel mounting base type B10



---

### HC-B10-SP-RBK - Profile gasket

1407707

<https://www.phoenixcontact.com/us/products/1407707>

Profile gasket for HEAVYCON EVO supporting base element type B10





# HC-EVO-B10-BWSC-PLRBK - Housing



1407633

<https://www.phoenixcontact.com/us/products/1407633>

## HC-B10-SL-PLBK - Housing brackets

1407698

<https://www.phoenixcontact.com/us/products/1407698>



Replacement single locking latch for HEAVYCON EVO housing type B10, PA

---

## HC-B10-BC-HI-PLBK - Protective cover

1407693

<https://www.phoenixcontact.com/us/products/1407693>

Protective cover B10, for single locking latch, protective cover material: PC, height: 19.1 mm, seal: no



# HC-EVO-B10-BWSC-PLRBK - Housing



1407633

<https://www.phoenixcontact.com/us/products/1407633>

## US-EMP (20X9) - Snap-in markers

0829439

<https://www.phoenixcontact.com/us/products/0829439>



Snap-in markers, Card, white, unlabeled, can be labeled with: BLUEMARK ID COLOR, BLUEMARK ID, THERMOMARK PRIME, THERMOMARK CARD 2.0, THERMOMARK CARD, mounting type: snapped, lettering field size: 20 x 9 mm, Number of individual labels: 70

---

## US-EMP (20X9) CUS - Snap-in markers

0830028

<https://www.phoenixcontact.com/us/products/0830028>



Snap-in markers, can be ordered: by card, white, labeled according to customer specifications, mounting type: snapped into marker carrier, lettering field size: 20 x 9 mm, Number of individual labels: 70

# HC-EVO-B10-BWSC-PLRBK - Housing

1407633

<https://www.phoenixcontact.com/us/products/1407633>



## HC-STA-B10-DC-PL - Protective cover

1421101

<https://www.phoenixcontact.com/us/products/1421101>



Protective cover, design: B10

---

Phoenix Contact 2024 © - all rights reserved

<https://www.phoenixcontact.com>

Phoenix Contact USA  
586 Fulling Mill Road  
Middletown, PA 17057, United States  
(+717) 944-1300  
[info@phoenixcon.com](mailto:info@phoenixcon.com)