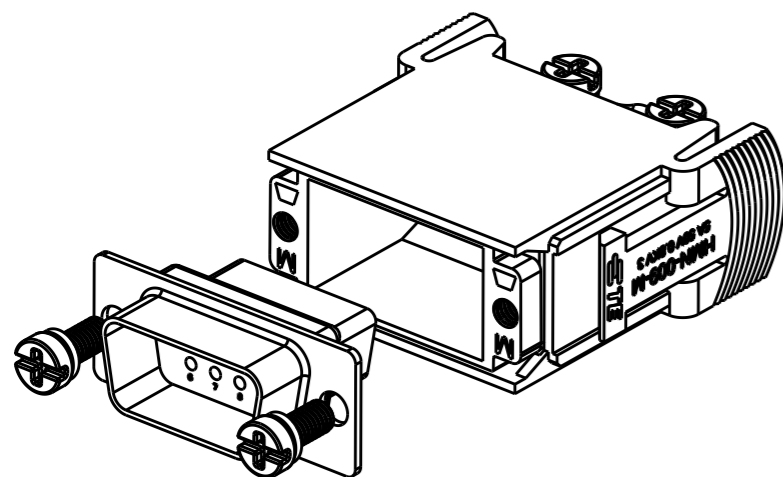
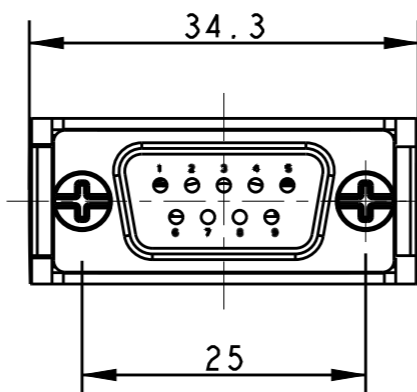
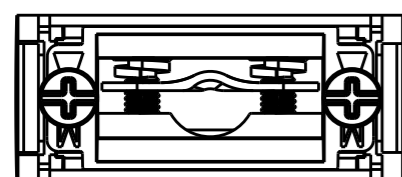
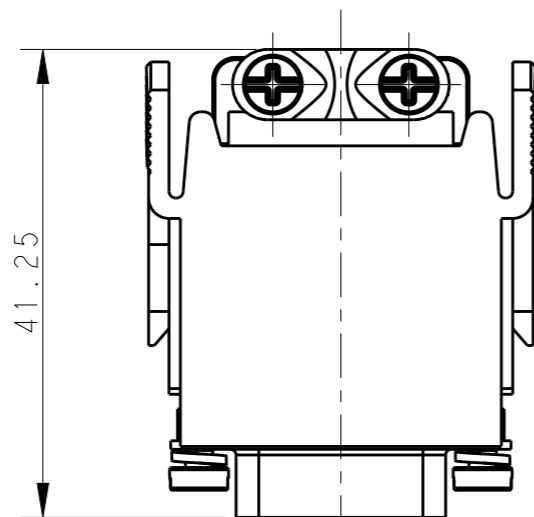
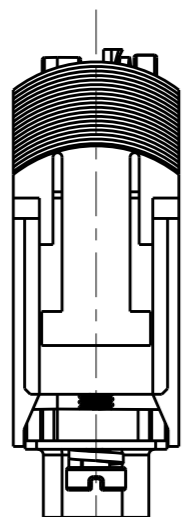
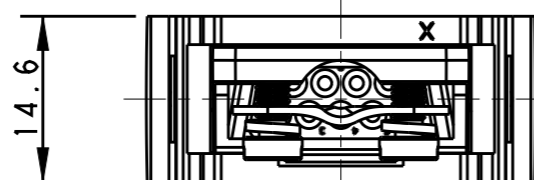
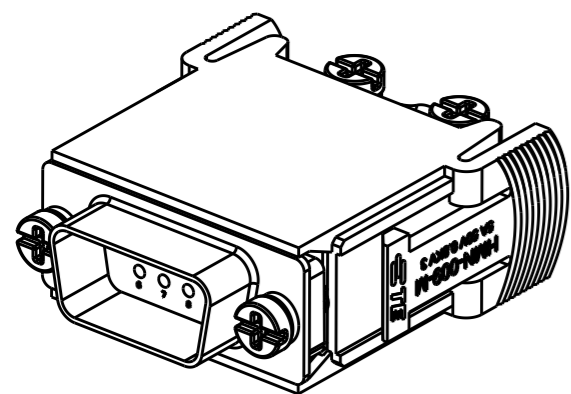


REVISIONS

P	LTR	DESCRIPTION	DATE	DWN	APVD
	B	INITIAL	19SEP2017	YC	CW
	B1	ECR-18-013580	30AUG2018	WQR	CW
	B2	ECR-19-000492	23JAN2019	AL	CW
	C	ECR-19-004179	24APR2019	AL	CW



NOTES:

- TECHNICAL CHARACTERISTICS:  
 INSULATION MATERIAL: PC  
 RATED VOLTAGE: 50V  
 RATED CURRENT: 5A  
 INSULATION RESISTANCE:  $\geq 400M\Omega$   
 RATED IMPULSE VOLTAGE: 0.8KV  
 POLLUTION DEGREE: 3  
 FLAMMABILITY: UL94V-0  
 MATING CYCLES: 500 CYCLES  
 WIRE RANGE: 0.08~0.52 mm<sup>2</sup> (28~20 AWG)  
 CONTACT TYPE: CRIMP CONTACT
- CONTACT NEED TO BE ORDERED SEPARATELY.  
 (ORDER No. REFER TO DRAWING:T20700X10XX000)

注释:

- 技术参数:  
 绝缘材料: PC  
 额定电压: 50V  
 额定电流: 5A  
 绝缘电阻:  $\geq 400M\Omega$   
 额定脉冲电压: 0.8KV  
 污染等级: 3  
 阻燃等级: UL94V-0  
 插拔次数: 500次  
 接线范围: 0.08~0.52 mm<sup>2</sup> (28~20 AWG)  
 接线类型: 冷压接
- 端子需要单独订购。  
 (订货号参考图面: T20700X10XX000)

T2111092101-007	HMN-009-M	HMN-009 MALE MODULE INSERT HMN-009 模块公插
PART NUMBER 料号	PART DESCRIPTION 描述	

THIS DRAWING IS A CONTROLLED DOCUMENT.

DIMENSIONS:	TOLERANCES UNLESS OTHERWISE SPECIFIED:
mm	
	0 PLC ±-
	1 PLC ±-
	2 PLC ±-
	3 PLC ±-
	4 PLC ±-
	ANGLES ±-
MATERIAL	FINISH
-	-
-	-

DWN	19SEP2017
YORK CHEN	
CHK	19SEP2017
GINO YAO	
APVD	19SEP2017
CHRIS WANG	
PRODUCT SPEC	108-137064
APPLICATION SPEC	114-137064
WEIGHT	-
CUSTOMER DRAWING	

 TE Connectivity		NAME		RESTRICTED TO
		HMN-009-M		
SIZE	CAGE CODE	DRAWING NO	-	
A3	00779	©-T2111092101007	-	
SCALE		SHEET	OF	REV
3:2		1	1	C