

GN 136

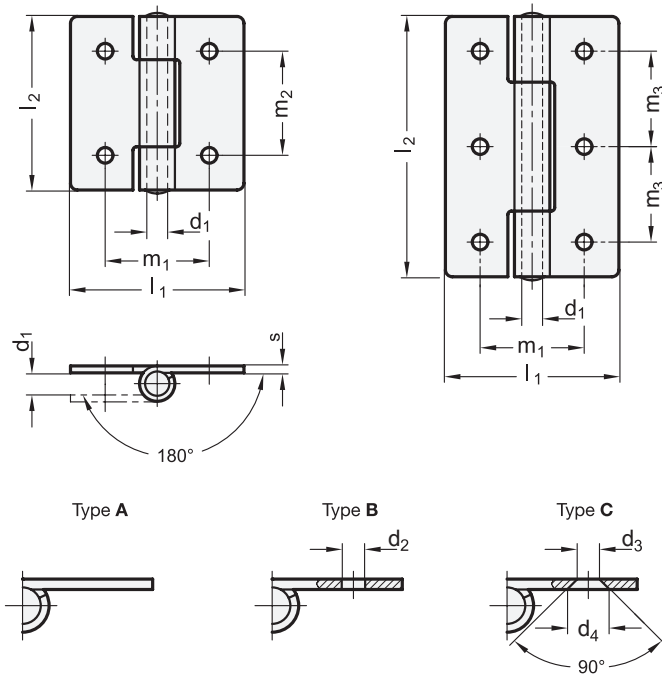
Steel / Stainless Steel

Sheet Metal Hinges

Square or Vertically Extended



JWWINCO
A Ganter Company



SS Stainless Steel

4 Type

- A** Without bores (only stainless steel)
- B** With through holes
- C** With countersunk holes

Metric table

Dimensions in: millimeters - inches

I ₁	I ₂		d ₁	d ₂	d ₃	d ₄	m ₁	m ₂	m ₃	s
	Square	1.5x extended								
30 1.18	30 1.18	45 1.77	3 0.12	3.2 0.13	4 0.16	6.4 0.25	18 0.71	18 0.71	16.5 0.65	1.5 0.06
40 1.57	40 1.57	60 2.36	4 0.16	4.2 0.17	5 0.20	8.3 0.33	25 0.98	25 0.98	22.5 0.89	2 0.08
50 1.97	50 1.97	75 2.95	6 0.24	5.2 0.20	5 0.20	8.3 0.33	30 1.18	30 1.18	27.5 1.08	2 0.08
60 2.36	60 2.36	90 3.54	6 0.24	5.2 0.20	5 0.20	8.3 0.33	36 1.42	36 1.42	33 1.30	2 0.08

Specification

- Body
 - Steel, zinc plated, blue passivated finish **ST** (Only Type B and C)
 - Stainless steel AISI 304 **NI**
- Pin
 - Stainless steel AISI 304
 - Riveted
- Load Rating Information → page 2088
- Stainless Steel Characteristics → page 2143
- RoHS compliant

Information

- GN 136 sheet metal hinges are a low-cost option for light load applications.
- Type A can be assembled by welding or done via custom made holes in the hinge.
- see also...
- List of Hinge Types → page 1324
 - Sheet Metal Hinges GN 1362 (Stainless Steel, Weldable) → page 1340
 - Sheet Metal Hinges GN 1364 (Stainless Steel) → page 1341
 - Hinges GN 1366 (Steel Profile, Weldable) → page 1342

How to order	
1 Material	
2 Width I ₁	
3 Length I ₂	
4 Type	

1 2 3 4
GN 136-NI-40-40-A