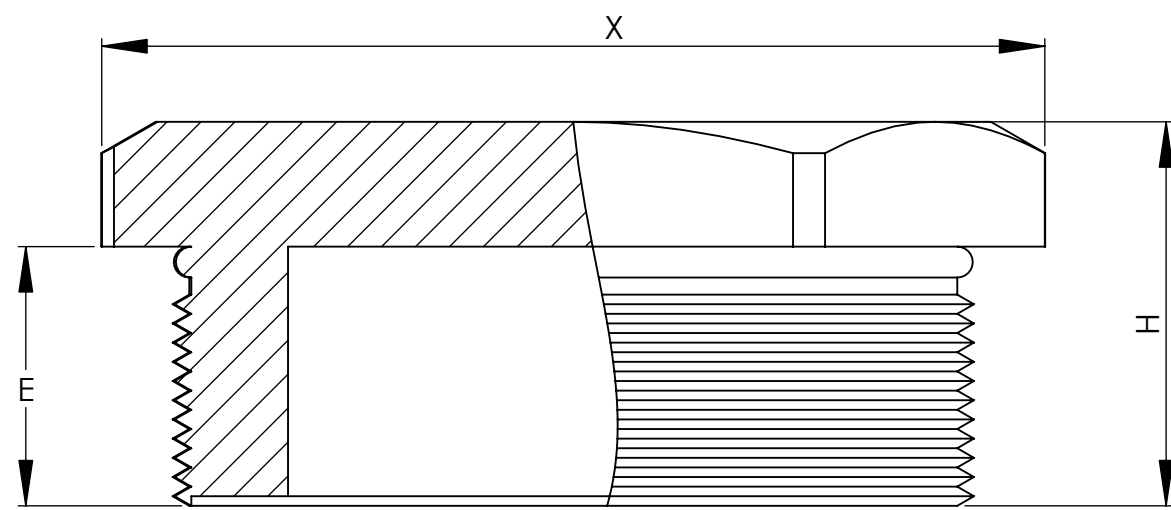


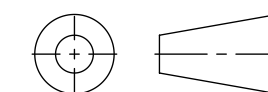
PART NUMBERS			THREAD TYPE AND SIZE	DIMENSIONS INCHES(MM)		
Stainless Steel w/ Buna-N O-Ring	Stainless Steel w/ Viton® O-Ring	Stainless Steel w/ Silicone O-Ring		H	X	E
HM-12-SS-B	HM-12-SS-V	HM-12-SS-S	M12 x 1.5	0.37	0.59	0.33
HM-16-SS-B	HM-16-SS-V	HM-16-SS-S	M16 x 1.5	0.35	0.75	0.24
HM-20-SS-B	HM-20-SS-V	HM-20-SS-S	M20 x 1.5	0.37	0.87	0.24
HM-25-SS-B	HM-25-SS-V	HM-25-SS-S	M25 x 1.5	0.41	1.18	0.27
HM-32-SS-B	HM-32-SS-V	HM-32-SS-S	M32 x 1.5	0.49	1.61	0.31
HM-40-SS-B	HM-40-SS-V	HM-40-SS-S	M40 x 1.5	0.51	1.81	0.31
HM-50-SS-B	HM-50-SS-V	HM-50-SS-S	M50 x 1.5	0.59	2.16	0.35
HM-63-SS-B	HM-63-SS-V	HM-63-SS-S	M63 x 1.5	0.65	2.75	0.39
HP-07-SS-B	HP-07-SS-V	HP-07-SS-S	PG 7	0.31	0.55	0.2
HP-07-SS-B	HP-07-SS-V	HP-07-SS-S	PG 7	0.31	0.55	0.2
HP-09-SS-B	HP-09-SS-V	HP-09-SS-S	PG 9	0.35	0.67	0.24
HP-11-SS-B	HP-11-SS-V	HP-11-SS-S	PG 11	0.37	0.81	0.24
HP-13-SS-B	HP-13-SS-V	HP-13-SS-S	PG 13.5	0.39	0.87	0.26
HP-16-SS-B	HP-16-SS-V	HP-16-SS-S	PG 16	0.39	0.94	0.26
HP-21-SS-B	HP-21-SS-V	HP-21-SS-S	PG 21	0.41	1.18	0.27
HP-29-SS-B	HP-29-SS-V	HP-29-SS-S	PG 29	0.49	1.61	0.31
HP-36-SS-B	HP-36-SS-V	HP-36-SS-S	PG 36	0.51	1.97	0.31
HP-42-SS-B	HP-42-SS-V	HP-42-SS-S	PG 42	0.59	2.28	0.35
HP-48-SS-B	HP-48-SS-V	HP-48-SS-S	PG 48	0.65	2.55	0.39



NOTES:

- 1) GENERAL DIMENSIONS DRAWINGS.
- 2) DIMENSIONS [ ] ARE IN INCHES.
- 3) DIMENSIONS NOTED ARE FOR REFERENCE ONLY.

Third angle projection



7374 S. EAGLE STREET  
 CENTENNIAL, CO 80112-4221 USA  
 TEL: +1-303-699-1135  
 TOLL FREE: +1-800-456-9012  
 E MAIL: [info@sealconusa.com](mailto:info@sealconusa.com) ,  
 WEBSITE: [www.sealconusa.com](http://www.sealconusa.com)

