



TE Connectivity

Product Change Notification: PCN-23-178180

PCN Date: 15-JUN-23

TE would like to inform you of the following change(s) to the listed TE Connectivity Product. In case of any further questions about this change(s), please contact your TE Connectivity Sales Engineer. Affected part, drawing and/or specification numbers are listed on the attached sheet(s).

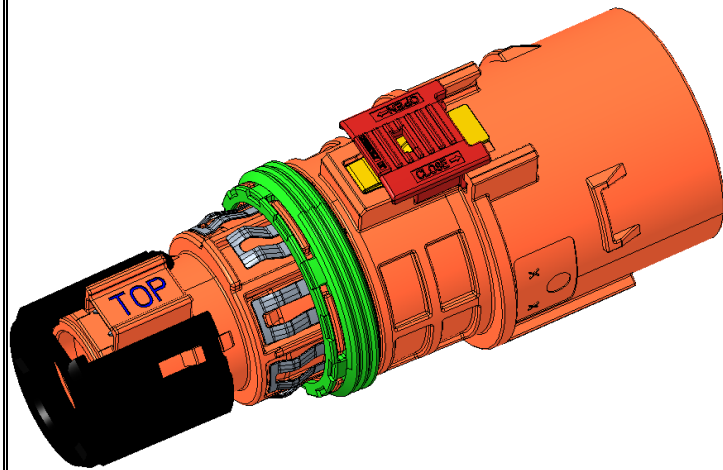
General Product Description:

Add a rib in CPA

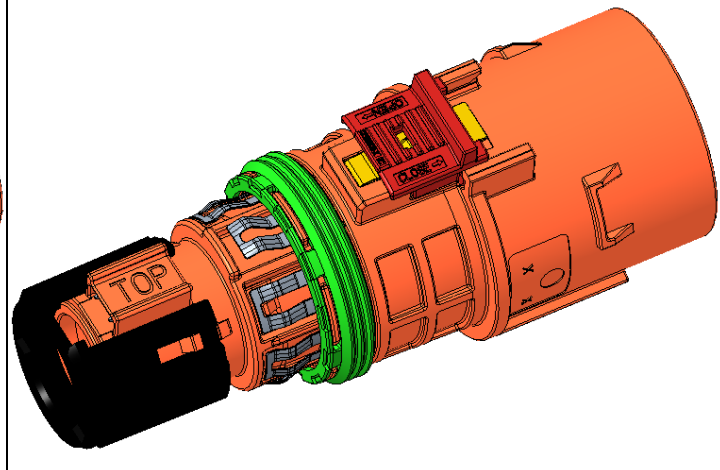
Description of Changes

Please be aware of an upcoming feature change to the listed part numbers. Before: No rib in CPA After: Add a rib in CPA Reference performance test data:

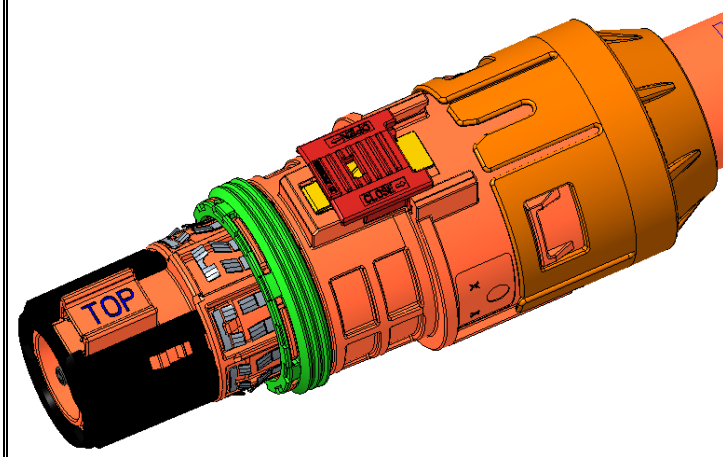
No rib in CPA



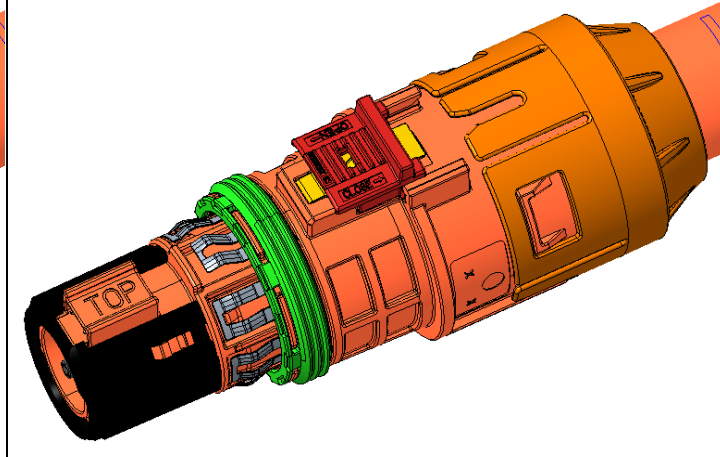
Add rib in CPA

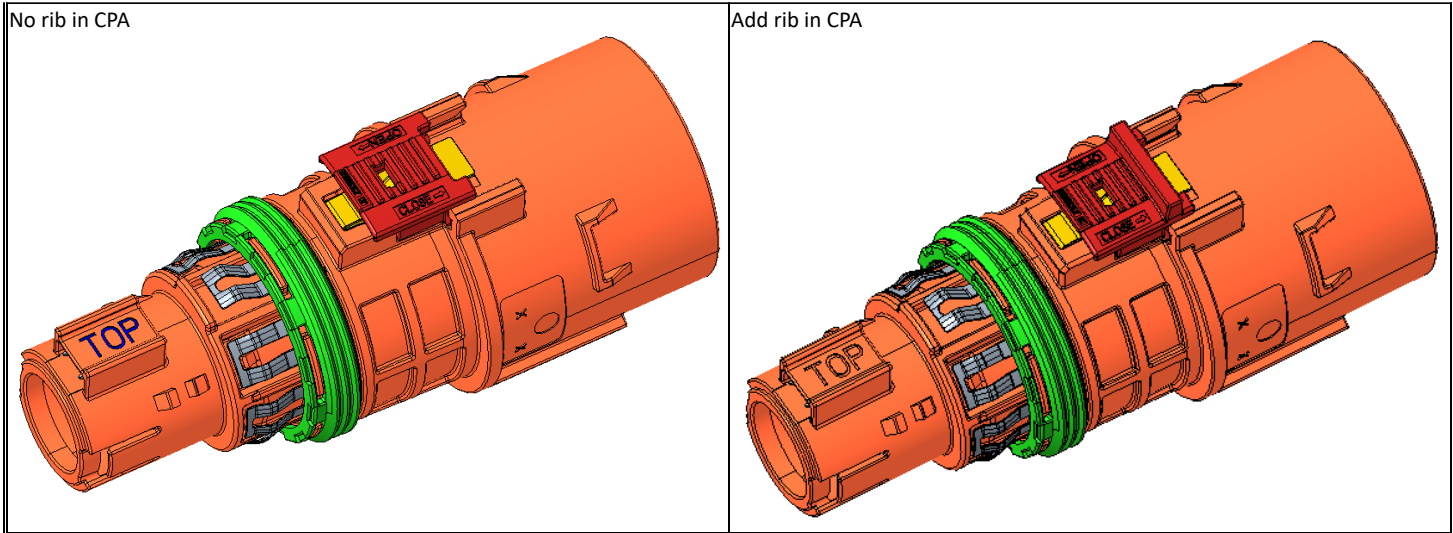


No rib in CPA



Add rib in CPA





Reason for Changes:
Update made to improve document clarity

PCN Attributes:	
Product Category: Hems Products	Kind of Change: Geometry
Change Feature: Contact	Potential Customer Impact: No Customer Impact
Remarks:	

Estimated Dates:	
Last Order Date (Obsolete Parts Only): 13-JUN-2023	First Ship Date of Changed Items (Changed Parts Only): 13-JUN-2023
Last Ship Date of Changed Items (Obsolete Parts Only): 13-JUN-2023	Last Date for Mixed Shipments: (Changed Parts Only): 13-JUN-2023
Effectivity Date: 13-JUN-2023	Date of First Samples: 13-JUN-2023

Part Number(s) being Modified:

Part Number	Part Discontinued per PCN	Customer Drawing	Customer Part Number	Alias Part Number(s)	Substitute Part Number	Substitute Alias Part Number(s)	Description Of Difference
2394085-1	NO						
2394085-2	NO						
2394085-3	NO						
2394085-4	NO						
2394085-5	NO						
2394085-6	NO						
2394085-7	NO						
2394085-8	NO						
2399663-1	NO						
2399663-2	NO						
2399663-3	NO						
2399663-4	NO						
2399663-5	NO						
2399663-6	NO						
2399663-7	NO						
2399663-8	NO						

Part Number(s) being Modified:

Part Number	Part Discontinued per PCN	Customer Drawing	Customer Part Number	Alias Part Number(s)	Substitute Part Number	Substitute Alias Part Number(s)	Description Of Difference
2394085-2	NO						

Part Number(s) being Modified:

Part Number	Part Discontinued per PCN	Customer Drawing	Customer Part Number	Alias Part Number(s)	Substitute Part Number	Substitute Alias Part Number(s)	Description Of Difference
2394085-1	NO						
2394085-3	NO						
2394085-4	NO						
2394085-5	NO						
2394085-6	NO						
2394085-7	NO						
2394085-8	NO						
2399663-1	NO						
2399663-2	NO						
2399663-3	NO						
2399663-4	NO						
2399663-5	NO						
2399663-6	NO						
2399663-7	NO						
2399663-8	NO						