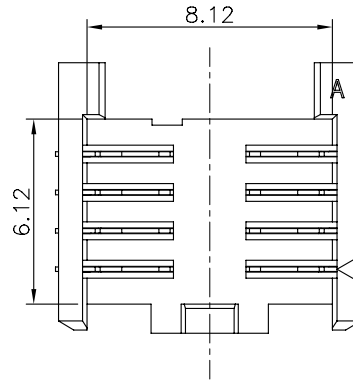
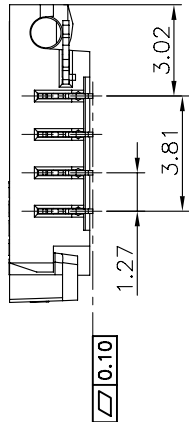
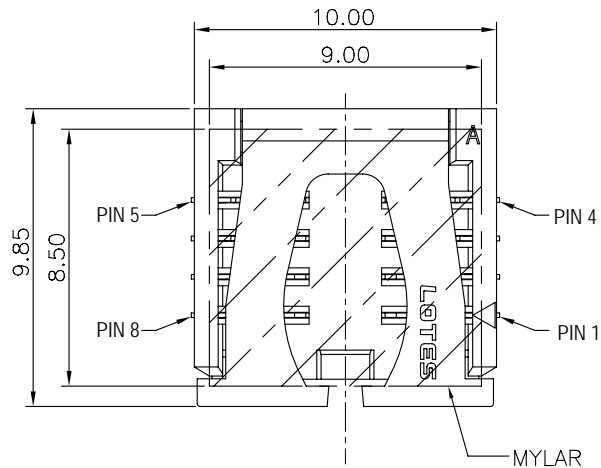
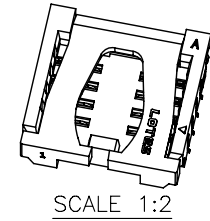


REV.	ECR/N NO./DESCRIPTION	DATE	DRAWN	CHECKED	APPROVE
1	SN21007	1/11'21	Chunyuan.Chen	Vito	Herch
1A	SN21***	02/05'21	Rover	Vito	Herch



THE TOP VIEW
WITHOUT COVER



NOTES:

1.MATERIAL:

- 1).HOUSING:HIGH TEMPERATURE THERMOPLASTIC,UL94V-0,BLACK.
- 2).COVER:HIGH TEMPERATURE THERMOPLASTIC,UL94V-0,BLACK.
- 3).CONTACT:COPPER ALLOY.
- 4).HOOK:STAINLESS STEEL

2.FINISH:

CONTACT:50u" Ni MIN,G/F Au ON CONTACT AND SOLDER AREA

3.RoHS COMPLIANT. HF COMPLIANT.

4.ELECTRICAL PERFORMANCE
CONTACT RESISTANCE:50mΩ MAX.
INSULATION RESISTANCE:1000MΩ MIN

5.MECHANICAL PERFORMANCE

DURABILITY:20 CYCLES

6.PRODUCT NUMBER NOTE

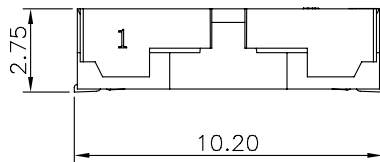
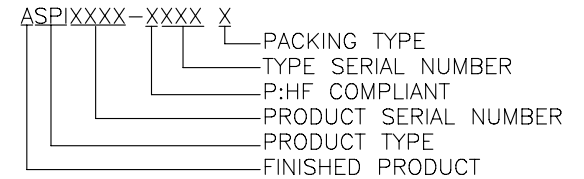


TABLE1:

NO.	PRODUCT NO.	DESCRIPTION
1.	ASPI0002-P001A	BLACK,GOLD FLASH1u" MIN,HF

GENERAL TOLERANCES
UNLESS SPECIFIED

X ± 0.35	X.° ± 3°
XX ± 0.25	.X° ± 2°
.XXX ± 0.15	.XX° ± 1°

CUSTOMER DRAWING

SIZE	UNITS
A4	MM

PART NO.
SEE TABLE1

APPROVED BY
Herch

CHECKED BY
Vito

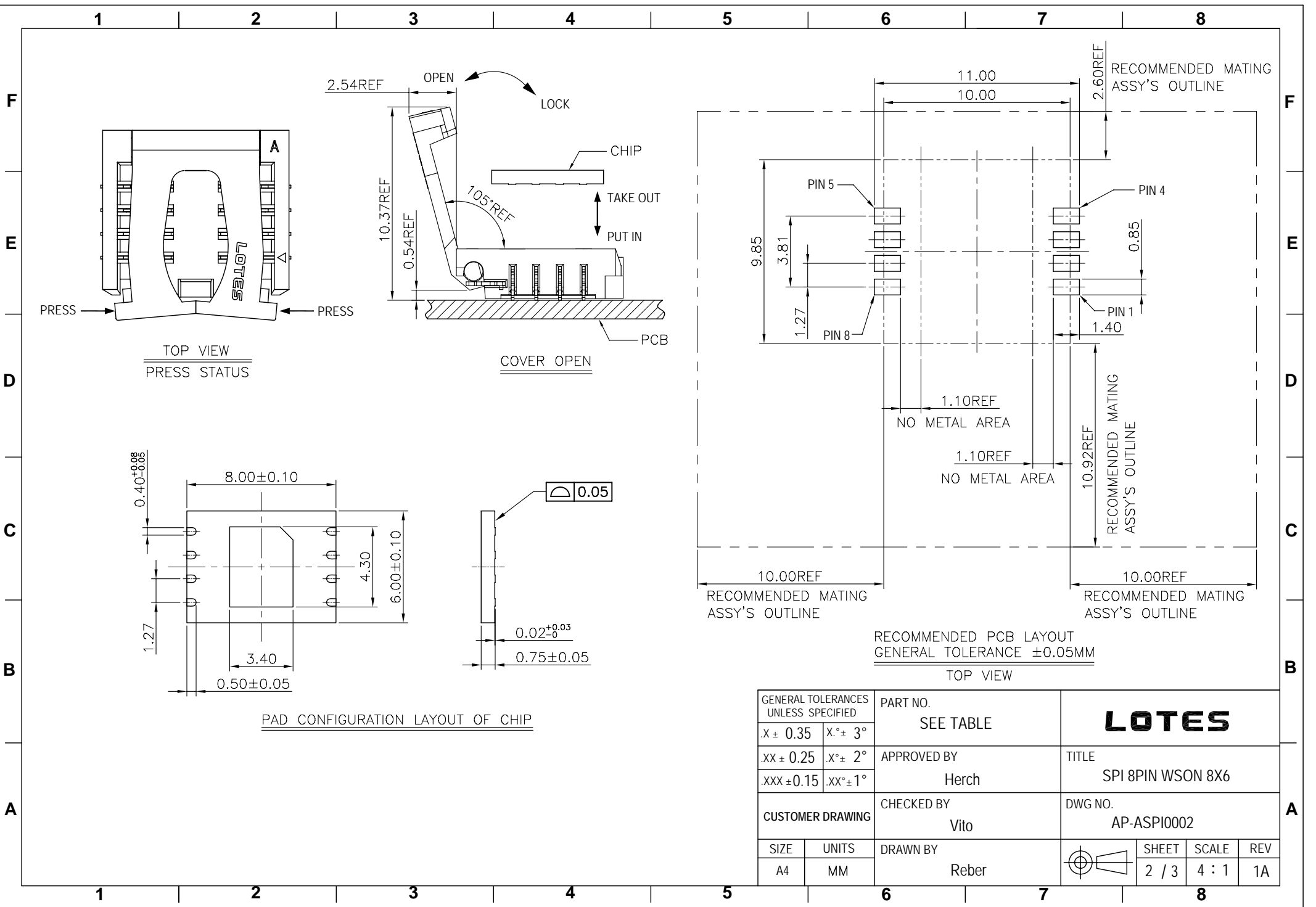
DRAWN BY
Reber

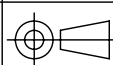
LOTES

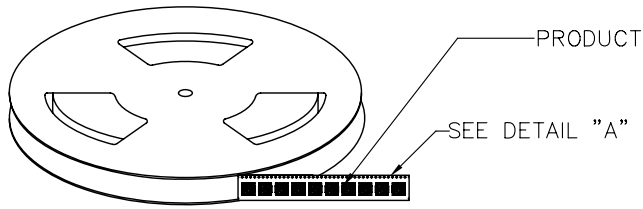
TITLE
SPI 8PIN WSON 8X6

DWG NO.
AP-ASPI0002

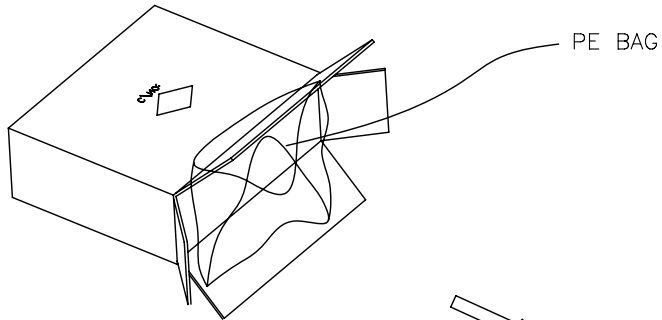
SHEET	SCALE	REV
1 / 3	4 : 1	1A



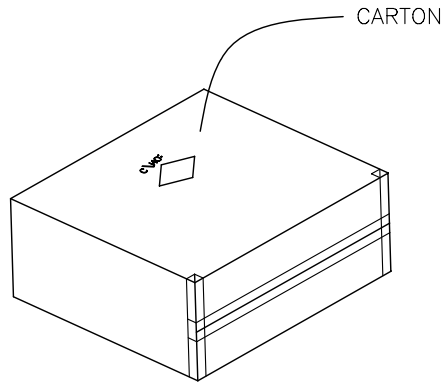
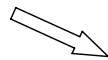
GENERAL TOLERANCES UNLESS SPECIFIED		PART NO.	LOTES			
X \pm 0.35	X° \pm 3°	SEE TABLE				
XX \pm 0.25	.X° \pm 2°	APPROVED BY	TITLE			
.XXX \pm 0.15	.XX° \pm 1°	Herch	SPI 8PIN WSON 8X6			
CUSTOMER DRAWING		CHECKED BY	DWG NO.			
		Vito	AP-ASPI0002			
SIZE	UNITS	DRAWN BY		SHEET	SCALE	REV
A4	MM	Reber		2 / 3	4 : 1	1A



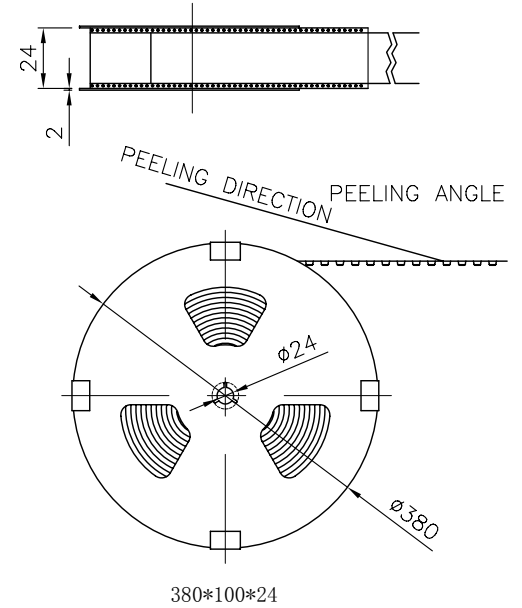
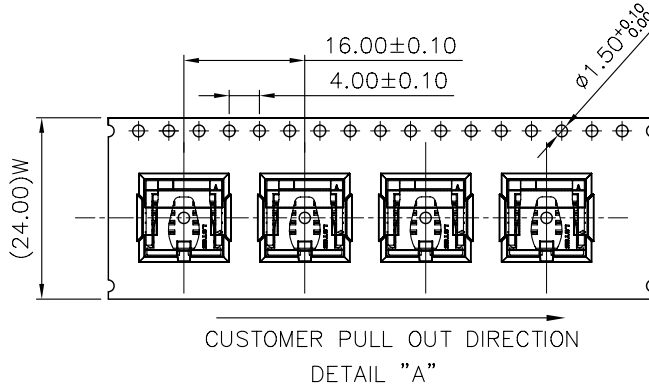
THE HEAD EMPTY 10 PCS
AND THE TAIL EMPTY 10 PCS



PE BAG



CARTON



NOTES:
COMPONENT LOAD PER 15" REEL: 1300 PCS.

GENERAL TOLERANCES UNLESS SPECIFIED		PART NO. SEE TABLE	LOTES			
X ± 0.35	X.° ± 3°	APPROVED BY Herch				TITLE SPI 8PIN WSON 8X6
XX ± 0.25	XX.° ± 2°	CHECKED BY Vito	DWG NO. AP-ASPI0002			
XXX ± 0.15	XXX.° ± 1°	DRAWN BY Reber		SHEET	SCALE	REV
CUSTOMER DRAWING	SIZE	UNITS		3 / 3	1 : 1	1A