

HART-IP

HMUX-4-DS
HART Multiplexer, 4
Channels, Dual Speed

CE

RoHS

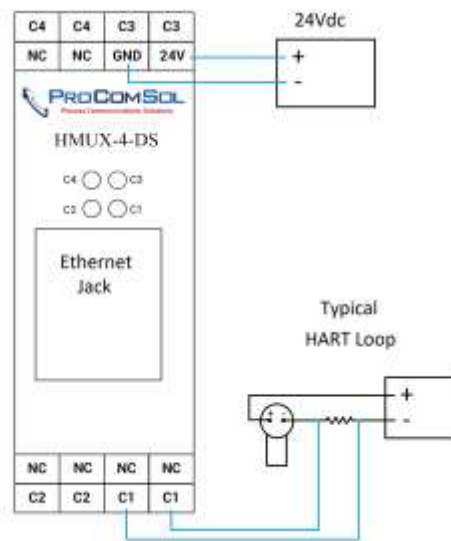
Perform HART communications using your Ethernet networking infrastructure. Access instrument measurement and status from anywhere in the world via the Internet.

Features:

- 500 VAC Isolation between HART and Ethernet
- Designed to meet HART Physical Layer Spec HCF_SPEC-54 for FSK
- Designed to meet HART Physical Layer Spec HCF_SPEC-60 for PSK
- Compact size 0.9” x 3.9” x 4.5” (22mm x 99mm x 114mm)
- Rugged ABS plastic enclosure
- CE certified
- Works with DevCom2000, DevCom.iOS, and DevComDroid
- 1 Year warranty
- HART-IP Support
- 4 Channels
- HART Dual Speed FSK (1200bps) and PSK (9600 bps)
- RJ45 connection to Ethernet
- Supports HART versions 5, 6, and 7
- 24 Vdc input power
- DIN Rail mounting



GND - Ground
24V - +24Vdc
C1 - Channel 1
C2 - Channel 2
C3 - Channel 3
C4 - Channel 4
NC - No Connect



Wiring Diagram

Specifications:

Enclosure

Dimensions 0.9" x 3.9" x 4.5" (22 mm x 99 mm x 114 mm)
Total Unit Weight 7.5 oz (213 g)

Power

Supply Range 19 to 30 Vdc, 24 Vdc nominal
Current Draw 30mA at 24Vdc input

Safety

Isolation 500 VAC between Ethernet and field device connections

HART

Connections Across loop resistor or HART field device
Specifications HART 4, HART 5, HART 6, HART 7,
HART Physical Layer Spec HCF_SPEC-54 (FSK)
HART Physical Layer Spec HCF_SPEC-60 (PSK)

Connections

HART Screw terminals
Ethernet Connector RJ45
Protocol HART-IP

Environmental

Operating Temperature -20 degC to 50 degC (-4 degF to 122 degF)
Storage Temperature -40 degC to 85 degC (-40 degF to 185 degF)
Humidity 0% to 95% (non-condensing)

Compliances

Certifications EMC, RoHS

ProComSol, Ltd

Process Communications Solutions

Phone: 216.221.1550
Toll Free: 877.221.1551
Email: sales@procomsol.com
Web: www.procomsol.com