



PCN: V13-006-32002150-0A

Product Change Notice

Issue Date: 07 Aug 2013

Change Type:

Device marking or labeling content.

Parts Affected:

Plastic SO-4, SO-5, SO-8, Stretched SO-6, Stretched SO-8, SO-16 (Narrow Body), SO-16, DIP-6, DIP-8, 400mil DIP-8, and 500mil DIP-10 packages parts. All associated options and special part numbers will also be affected. See Appendix 2 for full part number list.

Excluding part numbers are:

1. Automotive parts ACPL-xxxT and all its associated options and special part numbers are not affected.
2. Phototransistors and all its associated options and special part numbers are not affected.
3. Digital Isolators HCPL-09xx/9xxx and all its associated options and special part numbers are not affected.

Description and Extent of Change:

Implement Lot ID on unit marking and standardization of the device marking format.

Reasons for Change:

To standardize device marking format for listed optocoupler devices, with improved parts traceability.

Effect of Change on Fit, Form, Function, Quality, or Reliability:

The device specification will remain the same, which will ensure product electrical performance remains the same. No change is required in customer's existing application to use the parts with these changes.

See Appendix 1 for the generic marking format example.

Effective Date of Change:

Product shipments using this change will begin with date code starting from 1345 (yyww). Timing of shipment of the changed part will vary by part number depending on customer demand, and inventory levels.

Qualification Data:

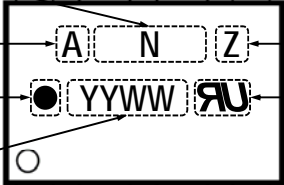
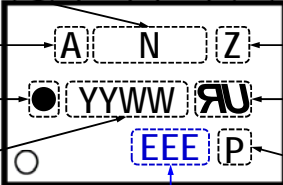
Not applicable. Process optimization completed and approved.

These changes have been reviewed and approved by Avago Technologies engineers and managers per Avago Technologies procedure: Change Control and Customer Notification, A-5962-6052-80.

Please contact your Avago Technologies field sales engineer or Contact Center (<http://www.avagotech.com/contact/>) for any questions or support requirements. Please return any response as soon as possible, but not to exceed 30 days.

Appendix 1:

Generic Marking Format

Existing Generic Marking Format		New Generic Marking Format	
<p>Device Part Number</p> <p>Avago → A N Z → Test Rating Code</p> <p>Lead Free → ● YYWW → UL Logo</p> <p>Date Code → ○</p> 		<p>Device Part Number</p> <p>Avago → A N Z → Test Rating Code</p> <p>Lead Free → ● YYWW → UL Logo</p> <p>Date Code → ○</p> <p>EEE P → Special Program Code</p> <p>Lot ID</p> 	
<ul style="list-style-type: none"> ● – Lead Free N – Device Part Number YY – Year WW – Work Week EEE – Lot ID 	<p><u>Test Rating Code, Z (Optional)</u></p> <ul style="list-style-type: none"> L – Option x2x V – Option x5x or x6x 	<p><u>Other Identification Codes (Optional)</u></p> <ul style="list-style-type: none"> A – Avago ● – UL Logo P – Special Program Code 	

SO-5	Part Number	SO-8	Part Number	SO-8	Part Number
IPM Driver	ACPL-M483-060E	100KBD Darlington	HCPL-073L-060	10MBD Logic	HCPL-060L-500E
	ACPL-M483-500E		HCPL-073L-060E		HCPL-060L-50RE
	ACPL-M483-560E		HCPL-073L-500E		HCPL-060L-560
	ACPL-M484-000E		HCPL-073L-560E		HCPL-060L-560E
	ACPL-M484-060E		HCPL-V701		HCPL-0611
	ACPL-M484-500E		HCPL-V701#520		HCPL-0611#060
	ACPL-M484-560E		QCPL-0711#500		HCPL-0611#500
	ACPL-M49U-000E		QCPL-0711-500E		HCPL-0611#50K
	ACPL-M49U-500E		QCPL-0735#500		HCPL-0611#560
		QCPL-0735-500E	HCPL-0611-000E		HCPL-0611-00GE
		QCPL-0741#500	HCPL-0611-00GNE		HCPL-0611-060E
		QCPL-0741-500E	HCPL-0611-500E		HCPL-0611-500N
			ACPL-061L-000E		HCPL-0611-500NE
			ACPL-061L-060E		HCPL-0611-50KE
			ACPL-061L-500E		HCPL-0611-50KN
			ACPL-061L-560E		HCPL-0611-50RE
			ACPL-064L-000E		HCPL-0611-50SE
			ACPL-064L-060E		HCPL-0611-560E
			ACPL-064L-500E		HCPL-0611-560N
			ACPL-064L-560E		HCPL-061A
			ACSL-6210-00R		HCPL-061A#060
			ACSL-6210-00RE		HCPL-061A#500
			ACSL-6210-06R		HCPL-061A#560
			ACSL-6210-06RE		HCPL-061A-000E
			ACSL-6210-50R		HCPL-061A-060E
			ACSL-6210-50RE		HCPL-061A-500E
			ACSL-6210-56R		HCPL-061A-560E
			ACSL-6210-56RE		HCPL-061N
			HCPL-0600		HCPL-061N#060
			HCPL-0600#060		HCPL-061N#500
			HCPL-0600#500		HCPL-061N#560
			HCPL-0600#560		HCPL-061N-000E
			HCPL-0600-000E		HCPL-061N-060E
			HCPL-0600-060E		HCPL-061N-500E
			HCPL-0600-500E		HCPL-061N-500NE
			HCPL-0600-50RE		HCPL-061N-50GE
			HCPL-0600-560E		HCPL-061N-50GNE
			HCPL-0601		HCPL-061N-50RE
			HCPL-0601#060		HCPL-061N-50SE
			HCPL-0601#500		HCPL-061N-560E
			HCPL-0601#560		HCPL-0630
			HCPL-0601-000E		HCPL-0630#500
			HCPL-0601-060E		HCPL-0630-000E
			HCPL-0601-500E		HCPL-0630-500E
			HCPL-0601-500NE		HCPL-0630-560E
			HCPL-0601-50FE		HCPL-0631
			HCPL-0601-50GE		HCPL-0631#500
			HCPL-0601-50GNE		HCPL-0631-000E
			HCPL-0601-50RE		HCPL-0631-500E
			HCPL-0601-50SE		HCPL-0631-560E
			HCPL-0601-560E		HCPL-0635
			HCPL-0601-56GE		HCPL-0635#500
			HCPL-0601-56GNE		HCPL-063A
			HCPL-060L		HCPL-063A#500
			HCPL-060L#060		HCPL-063A-000E
			HCPL-060L#500		
			HCPL-060L-000E		
			HCPL-060L-060E		

SO-8	Part Number	SO-8	Part Number	SO-8	Part Number	
10MBD Logic	HCPL-063A-500E	1MBD Transistor	HCPL-0500#560	5MBD Logic	HCPL-0211#060	
	HCPL-063L		HCPL-0500-000E		HCPL-0211#500	
	HCPL-063L#500		HCPL-0500-060E		HCPL-0211#560	
	HCPL-063L-000E		HCPL-0500-500E		HCPL-0211-000E	
	HCPL-063L-060		HCPL-0500-560E		HCPL-0211-060E	
	HCPL-063L-060E		HCPL-0501		HCPL-0211-500E	
	HCPL-063L-500E		HCPL-0501#060		HCPL-0211-50GE	
	HCPL-063L-50RE		HCPL-0501#500		HCPL-0211-50GNE	
	HCPL-063L-50SE		HCPL-0501#560		HCPL-0211-50RE	
	HCPL-063L-560		HCPL-0501-000E		HCPL-0211-50SE	
	HCPL-063L-560E		HCPL-0501-060E		HCPL-0211-560E	
	HCPL-063N		HCPL-0501-500E		QCPL-0215-50KE	
	HCPL-063N#500		HCPL-0501-560E		QCPL-0216#500	
	HCPL-063N-000E		HCPL-050L		QCPL-0216-500E	
	HCPL-063N-500E		HCPL-050L#500		QCPL-0217-500E	
	HCPL-063N-500NE		HCPL-050L-000E		QCPL-0217-50GE	
	HCPL-063N-50GE		HCPL-050L-500E		8MBD Logic	HCPL-0300
	HCPL-063N-50GNE		HCPL-0530			HCPL-0300#500
	HCPL-063N-50RE		HCPL-0530#500			HCPL-0300-000E
	HCPL-0661		HCPL-0530-000E		Iso Voltage Detector	HCPL-0300-500E
	HCPL-0661#500		HCPL-0530-500E			HCPL-0370
	HCPL-0661-000E		HCPL-0531			HCPL-0370-000E
	HCPL-0661-500E		HCPL-0531#500			HCPL-0370-060E
	HCPL-0661-560E		HCPL-0531-000E			HCPL-0370-500
	HCPL-V601		HCPL-0531-500E			HCPL-0370-500E
	HCPL-V601#500		HCPL-0531-50RE			HCPL-0370-560E
	HCPL-V601-000E		HCPL-0531-50SE		5MBD Logic	HCPL-0302
	HCPL-V601-300		HCPL-0531-560E			HCPL-0302-000E
	HCPL-V601-300E		HCPL-053L			HCPL-0302-060
	HCPL-V601-500E		HCPL-053L#500			HCPL-0302-060E
	HCPL-V601-50GE		HCPL-053L-000E			HCPL-0302-500
	HCPL-V601-50GNE		HCPL-053L-500E	HCPL-0302-500E		
	QCPL-0602-560		QCPL-0537	HCPL-0302-50RE		
	QCPL-0602-560E		QCPL-0537#500	HCPL-0302-560		
	QCPL-0602-56GE		QCPL-0537-500E	HCPL-0302-560E		
	QCPL-0613#500		QCPL-0538	HCPL-0314		
	QCPL-0613-500E		QCPL-0538-000E	HCPL-0314#060		
	QCPL-0614-500E		QCPL-0538-500	HCPL-0314#500		
	QCPL-0618#500		QCPL-0538-500E	HCPL-0314#560		
	QCPL-0618-500E		QCPL-0539-500E	HCPL-0314-000E		
	QCPL-0636		QCPL-056L-000E	HCPL-0314-060E		
	QCPL-0636-000N		ACPL-021L-000E	HCPL-0314-500E		
	QCPL-0636-500		ACPL-021L-060E	HCPL-0314-560E		
	QCPL-0636-500E		ACPL-021L-500E	HCPL-0314-560N		
	QCPL-0636-500N		ACPL-021L-560E	HCPL-0314-56K		
QCPL-0636-500NE	ACPL-024L-000E	HCPL-0314-56KE				
QCPL-0636-50SE	ACPL-024L-060E	QCPL-0303-500E				
QCPL-0637-500E	ACPL-024L-500E	QCPL-032H-500E				
QCPL-063H-500E	HCPL-0201	QCPL-034H-500E				
QCPL-066H-500E	HCPL-0201#060	QCPL-035H-500E				
QCPL-0602-56GE	HCPL-0201#500	HS CMOS	ACPL-071L-000E			
1MBD Transistor	ACPL-054L-000E		HCPL-0201#560	ACPL-071L-060E		
	ACPL-054L-060E		HCPL-0201-000E	ACPL-071L-500E		
	ACPL-054L-500E		HCPL-0201-060E	ACPL-071L-560E		
	ACPL-054L-560E		HCPL-0201-500E	ACPL-072L		
	HCPL-0500		HCPL-0201-50GE	ACPL-072L-000E		
	HCPL-0500#060		HCPL-0201-560E	ACPL-072L-060		
	HCPL-0500#500		HCPL-0211	ACPL-072L-060E		

SO-8	Part Number	SO-8	Part Number	SO-8	Part Number
HS CMOS	ACPL-072L-500	HS CMOS	HCPL-0721-50SE	IPM Driver	HCPL-0453-560E
	ACPL-072L-500E		HCPL-0721-560E		HCPL-0454
	ACPL-072L-50RE		HCPL-0721-560N		HCPL-0454#060
	ACPL-072L-50SE		HCPL-0721-560NE		HCPL-0454#500
	ACPL-072L-560		HCPL-0723		HCPL-0454#50K
	ACPL-072L-560E		HCPL-0723-000E		HCPL-0454#560
	ACPL-074L-000E		HCPL-0723-060		HCPL-0454-000E
	ACPL-074L-060E		HCPL-0723-060E		HCPL-0454-060E
	ACPL-074L-500E		HCPL-0723-500		HCPL-0454-500E
	ACPL-074L-560E		HCPL-0723-500E		HCPL-0454-500NE
	ACPL-077L-000E		HCPL-0723-560		HCPL-0454-50GE
	ACPL-077L-060E		HCPL-0723-560E		HCPL-0454-50GNE
	ACPL-077L-500E		HCPL-0723-560NE		HCPL-0454-50KE
	ACPL-077L-560E		HCPL-0738		HCPL-0454-560E
	HCPL-0708		HCPL-0738-000E		HCPL-0466
	HCPL-0708#500		HCPL-0738-00GE		HCPL-0466#060
	HCPL-0708-000E		HCPL-0738-060		HCPL-0466#500
	HCPL-0708-500E		HCPL-0738-060E		HCPL-0466#560
	HCPL-0708-560E		HCPL-0738-500		HCPL-0466-000E
	HCPL-0710		HCPL-0738-500E		HCPL-0466-060E
	HCPL-0710#060		HCPL-0738-50GE		HCPL-0466-500E
	HCPL-0710#500		QCPL-070H-500E		HCPL-0466-50RE
	HCPL-0710#560		QCPL-071H-000E		HCPL-0466-50SE
	HCPL-0710-000E		QCPL-071H-060E		HCPL-0466-560E
	HCPL-0710-000NE		QCPL-071H-500E		HCPL-0466-560NE
	HCPL-0710-060E		QCPL-071H-560E		HCPL-0534
	HCPL-0710-500E		QCPL-073H-500E		HCPL-0534#500
	HCPL-0710-500NE		QCPL-074H-000E		HCPL-0534-000E
	HCPL-0710-50RE		QCPL-074H-060E		HCPL-0534-500E
	HCPL-0710-50SE		QCPL-074H-500E		QCPL-0456
	HCPL-0710-560E		QCPL-074H-560E		QCPL-0456-000E
	HCPL-0720		QCPL-076H-500E		QCPL-0456-500E
	HCPL-0720#060		QCPL-076H-560E		QCPL-0460#500
	HCPL-0720#500		HCPL-0452		QCPL-0460-500E
	HCPL-0720#560		HCPL-0452#060		QCPL-0461-50K
	HCPL-0720-000E		HCPL-0452#500		Dual Line Driver
	HCPL-0720-000NE		HCPL-0452#560		ACPL-0820-000E
	HCPL-0720-060E		HCPL-0452#56K		ACPL-0820-500E
	HCPL-0720-500E		HCPL-0452-000E		
	HCPL-0720-500NE		HCPL-0452-060E		Stretched SO-6
	HCPL-0720-50GE		HCPL-0452-500E		10MBD Logic
	HCPL-0720-50GNE		HCPL-0452-50RE		ACPL-P611-000E
	HCPL-0720-560E		HCPL-0452-50SE		ACPL-P611-020E
	HCPL-0720-560N		HCPL-0452-560E		ACPL-P611-060E
	HCPL-0720-560NE		HCPL-0452-56KE		ACPL-P611-500E
	HCPL-0721		HCPL-0452-56KNE		ACPL-P611-520E
	HCPL-0721#060		HCPL-0453		ACPL-P611-560E
	HCPL-0721#500		HCPL-0453#060		ACPL-W60L-000E
	HCPL-0721#560		HCPL-0453#500		ACPL-W60L-500
	HCPL-0721-000E		HCPL-0453#50K		ACPL-W60L-500E
	HCPL-0721-060E		HCPL-0453#560		ACPL-W60L-560E
	HCPL-0721-500E		HCPL-0453-000E		ACPL-W611-000E
	HCPL-0721-500N		HCPL-0453-060E		ACPL-W611-060E
	HCPL-0721-50FE		HCPL-0453-500E		ACPL-W611-500E
	HCPL-0721-50FNE		HCPL-0453-50GE		ACPL-W611-560E
	HCPL-0721-50GE		HCPL-0453-50GNE		ACPL-W61L-000E
HCPL-0721-50GNE	HCPL-0453-50KE	ACPL-W61L-060E			
HCPL-0721-50RE	HCPL-0453-50KN	ACPL-W61L-500E			
		ACPL-W61L-560E			
		QCPL-W650-560E			

Stretched SO-6	Part Number	Stretched SO-6	Part Number	Stretched SO-6	Part Number
10MBD Logic	QCPL-W651-560E	Gate Driver	ACPL-W345-060E	IPM Driver	ACPL-P484-060E
1MBD Transistor	ACPL-W50L-000E		ACPL-W345-500E		ACPL-P484-500E
	ACPL-W50L-060E		ACPL-W345-560E		ACPL-P484-560E
	ACPL-W50L-500E		ACPL-W346-000E		ACPL-W454-000E
	ACPL-W50L-560E		ACPL-W346-060E		ACPL-W454-020NE
Gate Driver	ACPL-P302-000E	ACPL-W346-500E	ACPL-W454-060E		
	ACPL-P302-060E	ACPL-W346-560E	ACPL-W454-500		
	ACPL-P302-500E	QCPL-P301-560E	ACPL-W454-500E		
	ACPL-P302-560E	QCPL-P303-560E	ACPL-W454-520NE		
	ACPL-P314-000E	QCPL-P304-000E	ACPL-W454-560		
	ACPL-P314-060E	QCPL-P304-560E	ACPL-W454-560E		
	ACPL-P314-500E	QCPL-P304-560ME	ACPL-W456-000E		
	ACPL-P314-560E	QCPL-W304-560E	ACPL-W456-060E		
	ACPL-P314-560ME	HS CMOS	ACPL-W70L-000E	ACPL-W456-500E	
	ACPL-P314-560NE		ACPL-W70L-060E	ACPL-W456-560E	
	ACPL-P340-000E		ACPL-W70L-500E	ACPL-W480-000E	
	ACPL-P340-060E		ACPL-W70L-560E	ACPL-W480-060E	
	ACPL-P340-500E		QCPL-W700-560E	ACPL-W480-500E	
	ACPL-P340-560E		QCPL-W70H-000E	ACPL-W480-560E	
	ACPL-P340-560ME		QCPL-W70H-060E	ACPL-W481-000E	
	ACPL-P341-000E		QCPL-W70H-500E	ACPL-W481-060E	
	ACPL-P341-060E		QCPL-W70H-560E	ACPL-W481-500E	
	ACPL-P341-500E		IPM Driver	ACPL-P454-000E	ACPL-W481-560E
	ACPL-P341-560E	ACPL-P454-020E		ACPL-W483-000E	
	ACPL-P343-000E	ACPL-P454-020NE		ACPL-W483-060E	
	ACPL-P343-060E	ACPL-P454-060E		ACPL-W483-500E	
	ACPL-P343-500E	ACPL-P454-500		ACPL-W483-560E	
	ACPL-P343-560E	ACPL-P454-500E		ACPL-W484-000E	
	ACPL-P345-000E	ACPL-P454-520E		ACPL-W484-060E	
	ACPL-P345-060E	ACPL-P454-520NE		ACPL-W484-500E	
	ACPL-P345-500E	ACPL-P454-560		ACPL-W484-560E	
	ACPL-P345-560E	ACPL-P454-560E		QCPL-P455-56FE	
	ACPL-P346-000E	ACPL-P454-56FE		QCPL-P482-560E	
	ACPL-P346-060E	ACPL-P456-000E		QCPL-W451-560E	
	ACPL-P346-500E	ACPL-P456-020E		QCPL-W455-56FE	
	ACPL-P346-560E	ACPL-P456-060E			
	ACPL-W302-000E	ACPL-P456-500E		Stretched SO-8	Part Number
	ACPL-W302-060E	ACPL-P456-520E		10MBD Logic	ACPL-C61L-000E
	ACPL-W302-500E	ACPL-P456-560E			ACPL-C61L-060E
	ACPL-W302-560E	ACPL-P456-560ME	ACPL-C61L-500E		
	ACPL-W314-000E	ACPL-P456-560NE	ACPL-C61L-560E		
	ACPL-W314-060E	ACPL-P480-000E	ACPL-K63L-000E		
	ACPL-W314-500E	ACPL-P480-020E	ACPL-K63L-060E		
	ACPL-W314-560E	ACPL-P480-060E	ACPL-K63L-500		
	ACPL-W340-000E	ACPL-P480-500E	ACPL-K63L-500E		
	ACPL-W340-060E	ACPL-P480-520E	ACPL-K63L-560E		
	ACPL-W340-500E	ACPL-P480-560E	ACPL-K64L-000E		
	ACPL-W340-560E	ACPL-P480-560ME	ACPL-K64L-060E		
	ACPL-W341-000E	ACPL-P480-560NE	ACPL-K64L-500E		
	ACPL-W341-060E	ACPL-P481-000E	ACPL-K64L-560E		
	ACPL-W341-500E	ACPL-P481-060E	QCPL-K641-560E		
	ACPL-W341-560E	ACPL-P481-500E	1MBD Transistor	ACPL-K54L-000E	
ACPL-W341-56FE	ACPL-P481-560E	ACPL-K54L-060E			
ACPL-W343-000E	ACPL-P483-000E	ACPL-K54L-500E			
ACPL-W343-060E	ACPL-P483-060E	ACPL-K54L-560E			
ACPL-W343-500E	ACPL-P483-500E	Iso Voltage Detector	ACPL-K370-000E		
ACPL-W343-560E	ACPL-P483-560E		ACPL-K370-060E		
ACPL-W345-000E	ACPL-P484-000E		ACPL-K370-500E		

Stretched SO-8	Part Number	Stretched SO-8	Part Number	SO-16	Part Number
Iso Voltage Detector	ACPL-K370-000E	HS CMOS	QCPL-K73H-500E	Current Sense	ACPL-796J-500E
	ACPL-K370-060E		QCPL-K73H-560E		ACPL-796J-560E
	ACPL-K370-500E	IPM Driver	ACPL-K453-000E		HCPL-786J
	ACPL-K370-560E		ACPL-K453-500		HCPL-786J#500
	ACPL-K376-000E		ACPL-K453-500E		HCPL-786J-000E
	ACPL-K376-060E		ACPL-K453-560E		HCPL-786J-500E
	ACPL-K376-500E		ACPL-K49U-000E		HCPL-786J-50RE
	ACPL-K376-560E		ACPL-K49U-500E		HCPL-786J-50SE
Current Sense	ACPL-C780-000E	Voltage Sense	ACPL-C870-000E	HCPL-788J	
	ACPL-C780-060E		ACPL-C870-500E	HCPL-788J#500	
	ACPL-C780-500E		ACPL-C87A-000E	HCPL-788J-000E	
	ACPL-C780-560E		ACPL-C87A-500E	HCPL-788J-500E	
	ACPL-C784-000E		ACPL-C87B-000E	HCPL-788J-50RE	
	ACPL-C784-060E		ACPL-C87B-500E	HCPL-788J-50SE	
	ACPL-C784-500E		ACPL-C87H-000E	QCPL-789J	
	ACPL-C784-560E		ACPL-C87H-500E	QCPL-789J#500	
	ACPL-C784-560NE			QCPL-789J-500E	
	ACPL-C78A-000E		SO-16 (Narrow Body)		QCPL-789J-500NE
	ACPL-C78A-060E	Part Number		HCPL-0872	
	ACPL-C78A-500E	10MBD Logic	ACSL-6300-00TE	HCPL-0872-000E	
	ACPL-C78A-500NE		ACSL-6300-06TE	HCPL-0872-500	
	ACPL-C78A-560E		ACSL-6300-50TE	HCPL-0872-500E	
	ACPL-C790-000E		ACSL-6300-56TE	QCPL-0870-500	
	ACPL-C790-500E		ACSL-6310-00TE	QCPL-0870-500E	
	ACPL-C790-500ME		ACSL-6310-06TE	QCPL-0871-500	
	ACPL-C797-000E		ACSL-6310-50TE	QCPL-0871-500E	
	ACPL-C797-500E		ACSL-6310-56TE	ACPL-339J-000E	
	ACPL-C797-500ME		ACSL-6400-00T	ACPL-339J-500E	
	ACPL-C797-50FE		ACSL-6400-00TE	Gate Driver	
	ACPL-C79A-000E		ACSL-6400-06T		ACPL-330J-000E
	ACPL-C79A-500E		ACSL-6400-06TE		ACPL-330J-500E
	ACPL-C79B-000E		ACSL-6400-50T		ACPL-331J-000E
	ACPL-C79B-500E		ACSL-6400-50TE		ACPL-331J-500E
	QCPL-C79B-500E	ACSL-6400-56T	ACPL-332J-000E		
	QCPL-C79D-000E	ACSL-6400-56TE	ACPL-332J-500E		
	QCPL-C79D-500E	ACSL-6410-00TE	ACPL-332J-500ME		
	QCPL-C79G-000E	ACSL-6410-06TE	ACPL-332J-500NE		
	QCPL-C79G-500E	ACSL-6410-50TE	ACPL-333J-000E		
	Gate Driver	ACPL-H312-000E			ACPL-333J-500E
		ACPL-H312-060E			ACPL-333J-50ME
ACPL-H312-500E			HCPL-314J		
ACPL-H312-560E			HCPL-314J#500		
ACPL-H342-000E			HCPL-314J-000E		
ACPL-H342-060E		100MBd Dig Isolator	ACSL-6420-00TE	HCPL-314J-500E	
ACPL-H342-500E			ACML-7400-000E	HCPL-314J-50GE	
ACPL-H342-560E			ACML-7400-500E	HCPL-314J-50GNE	
ACPL-K342-000E			ACML-7410-000E	HCPL-314J-50RE	
ACPL-K342-060E			ACML-7410-500E	HCPL-315J	
ACPL-K342-500E			ACML-7420-000E	HCPL-315J#500	
ACPL-K342-560E		ACML-7420-500E	HCPL-315J-000E		
QCPL-H300-500E		Current Sense	ACML-7420-560E	HCPL-315J-500E	
QCPL-H301-500E			ACPL-785J-000E	HCPL-316J	
HS CMOS	ACPL-K73L-000E		ACPL-785J-060E	HCPL-316J#500	
	ACPL-K73L-060E		ACPL-785J-500E	HCPL-316J-000E	
	ACPL-K73L-500E		ACPL-785J-560E	HCPL-316J-500E	
	ACPL-K73L-560E		ACPL-796H-000E	HCPL-316J-50GE	
	QCPL-K73H-000E		ACPL-796H-500E	HCPL-316J-50GNE	
	QCPL-K73H-060E		ACPL-796J-000E	HCPL-316J-50RE	
			ACPL-796J-060E	QCPL-310J-500	

SO-16	Part Number	DIP-6	Part Number	DIP-8	Part Number	
Gate Driver	QCPL-310J-500E	PhotoMOSFET	ASSR-4111-501E	100KBD Darlington	HCPL-2730-020E	
	QCPL-321J#500		ASSR-4119-001E		HCPL-2730-300E	
	QCPL-321J-500E		ASSR-4119-301E		HCPL-2730-30ME	
	QCPL-322J-500		ASSR-4119-501E		HCPL-2730-320E	
	QCPL-322J-500E		ASSR-5211-001E		HCPL-2730-500E	
	QCPL-322J-500NE		ASSR-5211-021E		HCPL-2730-50ME	
	QCPL-324J-500E		ASSR-5211-301E		HCPL-2730-50RE	
	QCPL-325J-000E		ASSR-5211-321E		HCPL-2731	
	QCPL-325J-500E		ASSR-5211-501E		HCPL-2731#020	
	QCPL-327J-500E		ASSR-5211-521E		HCPL-2731#300	
	QCPL-328J-500E				HCPL-2731#500	
	QCPL-328J-50ME		DIP-8		Part Number	HCPL-2731#520
	QCPL-329J-000E		100KBD Darlington		6N138	HCPL-2731-000E
	QCPL-329J-500E				6N138#020	HCPL-2731-00ME
		6N138#300	HCPL-2731-020E			
		6N138#500	HCPL-2731-300E			
DIP-6	Part Number	6N138-000E	HCPL-2731-30ME			
100KBD Darlington	4N45	6N138-00ME	HCPL-2731-500E			
	4N45#060	6N138-020E	HCPL-2731-50ME			
	4N45#300	6N138-02ME	HCPL-2731-520E			
	4N45#500	6N138-300E	HCPL-273L			
	4N45-000E	6N138-30ME	HCPL-273L#500			
	4N45-060E	6N138-32ME	HCPL-273L-000E			
	4N45-300E	6N138-500E	HCPL-273L-500E			
	4N45-500E	6N138-50ME	HCPL-4701			
	4N46	6N139	HCPL-4701#020			
	4N46#060	6N139#020	HCPL-4701#060			
	4N46#300	6N139#060	HCPL-4701#300			
	4N46#500	6N139#300	HCPL-4701#320			
	4N46#560	6N139#320	HCPL-4701#360			
	4N46-000E	6N139#500	HCPL-4701#500			
	4N46-060E	6N139#520	HCPL-4701#520			
	4N46-300E	6N139#560	HCPL-4701-000E			
	4N46-500E	6N139-000E	HCPL-4701-020E			
	4N46-560E	6N139-00ME	HCPL-4701-060E			
1MBD Transistor	SL5505	6N139-020E	HCPL-4701-300E			
	SL5505-000E	6N139-02ME	HCPL-4701-320E			
	SL5505A	6N139-060E	HCPL-4701-360E			
	SL5505A-000E	6N139-300E	HCPL-4701-500E			
PhotoMOSFET	ASSR-1219-001E	6N139-30ME	HCPL-4701-500NE			
	ASSR-1219-301E	6N139-320E	HCPL-4701-520E			
	ASSR-1219-501E	6N139-32ME	HCPL-4701-560			
	ASSR-1411-001E	6N139-500E	HCPL-4701-560E			
	ASSR-1411-301E	6N139-50ME	HCPL-4731			
	ASSR-1411-501E	6N139-520E	HCPL-4731#020			
	ASSR-1511-001E	6N139-560E	HCPL-4731#300			
	ASSR-1511-301E	HCPL-270L	HCPL-4731#320			
	ASSR-1511-501E	HCPL-270L#500	HCPL-4731#500			
	ASSR-1611-001E	HCPL-270L-000E	HCPL-4731#520			
	ASSR-1611-021E	HCPL-270L-360E	HCPL-4731-000E			
	ASSR-1611-301E	HCPL-270L-500E	HCPL-4731-020E			
	ASSR-1611-321E	HCPL-2730	HCPL-4731-300E			
	ASSR-1611-501E	HCPL-2730#020	HCPL-4731-320E			
	ASSR-1611-521E	HCPL-2730#300	HCPL-4731-500E			
	ASSR-3211-001E	HCPL-2730#320	HCPL-4731-520E			
	ASSR-3211-301E	HCPL-2730#500	QCPL-2715			
	ASSR-3211-501E	HCPL-2730-000E	QCPL-2715-000E			
	ASSR-4111-001E	HCPL-2730-00ME	QCPL-2728			
	ASSR-4111-301E					

DIP-8	Part Number	DIP-8	Part Number	DIP-8	Part Number
100KBD Darlington	QCPL-4714	10MBD Logic	HCPL-260L-020E	10MBD Logic	HCPL-261N#300
	QCPL-4714-000E		HCPL-260L-060E		HCPL-261N#320
	QCPL-4718		HCPL-260L-300		HCPL-261N#360
	QCPL-4718#300		HCPL-260L-300E		HCPL-261N#500
10MBD Logic	6N137	HCPL-260L-320	HCPL-261N-000E		
	6N137#020	HCPL-260L-320E	HCPL-261N-020E		
	6N137#060	HCPL-260L-500E	HCPL-261N-060E		
	6N137#300	HCPL-260L-520	HCPL-261N-300E		
	6N137#320	HCPL-260L-520E	HCPL-261N-320E		
	6N137#500	HCPL-260L-560E	HCPL-261N-360E		
	6N137#520	HCPL-260L-56RE	HCPL-261N-500E		
	6N137-000E	HCPL-2611	HCPL-261N-520		
	6N137-00GE	HCPL-2611#020	HCPL-261N-520E		
	6N137-00GNE	HCPL-2611#060	HCPL-261N-560E		
	6N137-00ME	HCPL-2611#300	HCPL-261N-56RE		
	6N137-020E	HCPL-2611#320	HCPL-2630		
	6N137-02ME	HCPL-2611#360	HCPL-2630#020		
	6N137-060E	HCPL-2611#500	HCPL-2630#300		
	6N137-300E	HCPL-2611#520	HCPL-2630#320		
	6N137-30ME	HCPL-2611#560	HCPL-2630#500		
	6N137-320E	HCPL-2611#56K	HCPL-2630-000E		
	6N137-32ME	HCPL-2611-000E	HCPL-2630-00GE		
	6N137-360E	HCPL-2611-000N	HCPL-2630-00ME		
	6N137-500E	HCPL-2611-020E	HCPL-2630-020E		
	6N137-50ME	HCPL-2611-060E	HCPL-2630-060E		
	6N137-50RE	HCPL-2611-060NE	HCPL-2630-300E		
	6N137-520E	HCPL-2611-300E	HCPL-2630-30ME		
	6N137-560	HCPL-2611-300N	HCPL-2630-320E		
	6N137-560E	HCPL-2611-320E	HCPL-2630-500E		
	HCPL-2601	HCPL-2611-360E	HCPL-2630-50ME		
	HCPL-2601#020	HCPL-2611-500E	HCPL-2630-520		
	HCPL-2601#060	HCPL-2611-520E	HCPL-2630-520E		
	HCPL-2601#300	HCPL-2611-560E	HCPL-2630-560E		
	HCPL-2601#320	HCPL-2611-560NE	HCPL-2631		
	HCPL-2601#500	HCPL-2611-56GE	HCPL-2631#020		
	HCPL-2601#520	HCPL-2611-56GNE	HCPL-2631#300		
	HCPL-2601-000E	HCPL-2611-56KE	HCPL-2631#320		
	HCPL-2601-000NE	HCPL-2611-56KN	HCPL-2631#500		
	HCPL-2601-00GE	HCPL-2611-56KNE	HCPL-2631#520		
	HCPL-2601-00GNE	HCPL-261A	HCPL-2631-000E		
	HCPL-2601-00ME	HCPL-261A#020	HCPL-2631-00GE		
	HCPL-2601-020E	HCPL-261A#060	HCPL-2631-00GNE		
	HCPL-2601-060E	HCPL-261A#300	HCPL-2631-00ME		
	HCPL-2601-300E	HCPL-261A#500	HCPL-2631-020E		
	HCPL-2601-30ME	HCPL-261A#560	HCPL-2631-060E		
	HCPL-2601-320E	HCPL-261A-000E	HCPL-2631-300E		
	HCPL-2601-360E	HCPL-261A-020E	HCPL-2631-30ME		
	HCPL-2601-500E	HCPL-261A-060E	HCPL-2631-320E		
	HCPL-2601-50ME	HCPL-261A-300E	HCPL-2631-500E		
	HCPL-2601-50RE	HCPL-261A-320	HCPL-2631-50ME		
	HCPL-2601-520E	HCPL-261A-320E	HCPL-2631-50RE		
	HCPL-2601-52RE	HCPL-261A-500E	HCPL-2631-520E		
	HCPL-260L	HCPL-261A-520	HCPL-2631-560E		
	HCPL-260L#060	HCPL-261A-520E	HCPL-263A		
	HCPL-260L#500	HCPL-261A-560E	HCPL-263A#020		
	HCPL-260L#560	HCPL-261N	HCPL-263A#300		
HCPL-260L-000E	HCPL-261N#020	HCPL-263A#320			
HCPL-260L-020	HCPL-261N#060	HCPL-263A#500			

DIP-8	Part Number	DIP-8	Part Number	DIP-8	Part Number
10MBD Logic	HCPL-263A-000E	10MBD Logic	HCPL-7611#300	1MBD Transistor	HCPL-2502#020
	HCPL-263A-020E		HCPL-7611#500		HCPL-2502#300
	HCPL-263A-300E		HCPL-7611-000E		HCPL-2502#500
	HCPL-263A-320E		HCPL-7611-000NE		HCPL-2502-000E
	HCPL-263A-500E		HCPL-7611-300E		HCPL-2502-020E
	HCPL-263A-520		HCPL-7611-500E		HCPL-2502-300E
	HCPL-263A-520E		QCPL-2608-000E		HCPL-2502-500E
	HCPL-263L		QCPL-2608-500E		HCPL-2503
	HCPL-263L#020		QCPL-260P		HCPL-2503#020
	HCPL-263L#300		QCPL-260P-000E		HCPL-2503#300
	HCPL-263L#500		QCPL-2614		HCPL-2503#320
	HCPL-263L#520		QCPL-2614#560		HCPL-2503#500
	HCPL-263L-000E		QCPL-2614-560E		HCPL-2503-000E
	HCPL-263L-020E		QCPL-2628		HCPL-250L
	HCPL-263L-060		QCPL-2628-000E		HCPL-250L#500
	HCPL-263L-060E		QCPL-2640		HCPL-250L-000E
	HCPL-263L-300E		QCPL-2640-000E		HCPL-250L-300
	HCPL-263L-320		QCPL-2640-00GE		HCPL-250L-300E
	HCPL-263L-320E		QCPL-2649		HCPL-250L-320E
	HCPL-263L-500E		QCPL-2649-000E		HCPL-250L-500E
	HCPL-263L-50RE		QCPL-4643		HCPL-250L-520E
	HCPL-263L-520E		QCPL-4643-000E		HCPL-250L-560
	HCPL-263L-560		QCPL-4650		HCPL-250L-560E
	HCPL-263L-560E		QCPL-4650#500		HCPL-2530
	HCPL-263N		QCPL-4664		HCPL-2530#020
	HCPL-263N#020		QCPL-4664-000E		HCPL-2530#300
	HCPL-263N#300		6N135		HCPL-2530#320
	HCPL-263N#320		6N135#020		HCPL-2530#500
	HCPL-263N#500		6N135#300		HCPL-2530#520
	HCPL-263N#520		6N135#500		HCPL-2530-000E
	HCPL-263N-000E		6N135-000E		HCPL-2530-00ME
	HCPL-263N-020E		6N135-00ME		HCPL-2530-020E
	HCPL-263N-300E		6N135-020E		HCPL-2530-300E
	HCPL-263N-320E		6N135-300E		HCPL-2530-30ME
	HCPL-263N-500E		6N135-30ME		HCPL-2530-320E
	HCPL-263N-520E		6N135-500E		HCPL-2530-500E
	HCPL-4661		6N135-50ME		HCPL-2530-50ME
	HCPL-4661#020		6N136		HCPL-2530-520E
	HCPL-4661#300		6N136#020		HCPL-2531
	HCPL-4661#320		6N136#060		HCPL-2531#020
	HCPL-4661#500		6N136#300		HCPL-2531#300
	HCPL-4661#520		6N136#320		HCPL-2531#320
	HCPL-4661-000E		6N136#500		HCPL-2531#500
	HCPL-4661-020E		6N136#520		HCPL-2531#520
	HCPL-4661-060E		6N136-000E		HCPL-2531-000E
	HCPL-4661-300E		6N136-00ME		HCPL-2531-000N
HCPL-4661-320E	6N136-020E	HCPL-2531-00GE			
HCPL-4661-500E	6N136-02ME	HCPL-2531-00GNE			
HCPL-4661-520E	6N136-060E	HCPL-2531-00ME			
HCPL-4661-560E	6N136-300E	HCPL-2531-020E			
HCPL-7601	6N136-30ME	HCPL-2531-060E			
HCPL-7601#300	6N136-320E	HCPL-2531-300E			
HCPL-7601#500	6N136-32ME	HCPL-2531-30ME			
HCPL-7601-000E	6N136-500E	HCPL-2531-320E			
HCPL-7601-300E	6N136-50ME	HCPL-2531-360E			
HCPL-7601-500E	6N136-520E	HCPL-2531-500E			
HCPL-7601-50RE	6N136-560E	HCPL-2531-50ME			
HCPL-7611	HCPL-2502	HCPL-2531-520E			

DIP-8	Part Number	DIP-8	Part Number	DIP-8	Part Number
1MBD Transistor	HCPL-2531-560E	20MBD Logic	QCPL-2410	5MBD Logic	HCPL-2212-360E
	HCPL-2531-56RE		QCPL-2410-000E		HCPL-2212-500E
	HCPL-2533		QCPL-2435		HCPL-2212-50GE
	HCPL-2533#300		QCPL-2435#300		HCPL-2212-560E
	HCPL-2533#500		HCPL-2200		HCPL-2219
	HCPL-2533-000E		HCPL-2200#060		HCPL-2219#060
	HCPL-2533-300E		HCPL-2200#300		HCPL-2219#300
	HCPL-2533-500E		HCPL-2200#500		HCPL-2219#360
	HCPL-253L		HCPL-2200-000E		HCPL-2219#500
	HCPL-253L#500		HCPL-2200-060E		HCPL-2219-000E
	HCPL-253L-000E	HCPL-2200-300E	HCPL-2219-060E		
	HCPL-253L-060E	HCPL-2200-500E	HCPL-2219-300E		
	HCPL-253L-360E	HCPL-2200-50RE	HCPL-2219-360E		
	HCPL-253L-500E	HCPL-2201	HCPL-2219-500E		
	HCPL-253L-520	HCPL-2201#060	HCPL-2231		
	HCPL-253L-520E	HCPL-2201#300	HCPL-2231#300		
	HCPL-253L-560E	HCPL-2201#360	HCPL-2231#500		
	HCPL-2554	HCPL-2201#500	HCPL-2231-000E		
	QCPL-2536	HCPL-2201#560	HCPL-2231-00GE		
	QCPL-2536-000E	HCPL-2201-000E	HCPL-2231-00GNE		
	QCPL-2537	HCPL-2201-00GE	HCPL-2231-300E		
	QCPL-2537-000E	HCPL-2201-00GNE	HCPL-2231-500E		
	QCPL-2539	HCPL-2201-060E	HCPL-2231-50RE		
	QCPL-2539-000E	HCPL-2201-300E	HCPL-2232		
	QCPL-2562	HCPL-2201-360E	HCPL-2232#300		
	QCPL-2562-000E	HCPL-2201-500E	HCPL-2232#500		
	QCPL-4539	HCPL-2201-560E	HCPL-2232-000E		
	QCPL-4539-000E	HCPL-2202	HCPL-2232-00GE		
	QCPL-4552	HCPL-2202#060	HCPL-2232-00GNE		
	QCPL-4552-000E	HCPL-2202#300	HCPL-2232-300E		
	20MBD Logic	HCPL-2400	HCPL-2202#500	HCPL-2232-500E	
		HCPL-2400#060	HCPL-2202-000E	HCPL-2232-50RE	
		HCPL-2400#300	HCPL-2202-060E	QCPL-2248	
HCPL-2400#500		HCPL-2202-300E	QCPL-2248-000E		
HCPL-2400-000E		HCPL-2202-500E	QCPL-2248-060		
HCPL-2400-00GE		HCPL-2211	QCPL-2248-060E		
HCPL-2400-00GNE		HCPL-2211#060	QCPL-2248-360		
HCPL-2400-060E		HCPL-2211#300	QCPL-2248-360E		
HCPL-2400-300E		HCPL-2211#360	QCPL-2248-500		
HCPL-2400-360		HCPL-2211#500	QCPL-2248-500E		
HCPL-2400-360E		HCPL-2211-000E	QCPL-2248-560		
HCPL-2400-500E		HCPL-2211-00GE	QCPL-2248-560E		
HCPL-2411		HCPL-2211-00GNE	QCPL-2248-560N		
HCPL-2411#060		HCPL-2211-060E	QCPL-2248-560NE		
HCPL-2411#300		HCPL-2211-300E	HCPL-2300		
HCPL-2411#500		HCPL-2211-360E	HCPL-2300#060		
HCPL-2411-000E		HCPL-2211-500E	HCPL-2300#300		
HCPL-2411-300E		HCPL-2211-50RE	HCPL-2300#360		
HCPL-2430		HCPL-2211-560E	HCPL-2300#500		
HCPL-2430#00Y		HCPL-2212	HCPL-2300#560		
HCPL-2430#300		HCPL-2212#060	HCPL-2300-000E		
HCPL-2430#500		HCPL-2212#300	HCPL-2300-060E		
HCPL-2430-000E		HCPL-2212#360	HCPL-2300-300E		
HCPL-2430-00YE		HCPL-2212#500	HCPL-2300-360E		
HCPL-2430-020E		HCPL-2212#560	HCPL-2300-500E		
HCPL-2430-060E		HCPL-2212-000E	HCPL-2300-500NE		
HCPL-2430-300E		HCPL-2212-060E	HCPL-2300-50RE		
HCPL-2430-500E		HCPL-2212-300E	HCPL-2300-560E		
			8MBD Logic		

DIP-8	Part Number	DIP-8	Part Number	DIP-8	Part Number	
Line Driver	HCPL-2602	High Bandwidth Analog Optocoupler	HCPL-4562#500	Current Sense	HCPL-7560-500E	
	HCPL-2602#300		HCPL-4562#520		HCPL-7560-50RE	
	HCPL-2602#500		HCPL-4562-000E		HCPL-7560-560	
	HCPL-2602-000E		HCPL-4562-020E		HCPL-7560-560E	
	HCPL-2602-00GE		HCPL-4562-060E		HCPL-7560-56Y	
	HCPL-2602-00GNE		HCPL-4562-300E		HCPL-7560-56YE	
	HCPL-2602-300E		HCPL-4562-320E		HCPL-7800	
	HCPL-2602-500E		HCPL-4562-500E		HCPL-7800#00Y	
	HCPL-2612		HCPL-4562-520E		HCPL-7800#300	
	HCPL-2612#300		QCPL-4522		HCPL-7800#500	
	HCPL-2612#500		QCPL-4522-000E		HCPL-7800#50Y	
	HCPL-2612-000E		Current Sense		ACPL-7900-000E	HCPL-7800-000E
	HCPL-2612-300E				ACPL-7900-300E	HCPL-7800-00YE
	HCPL-2612-500E				ACPL-7900-500E	HCPL-7800-00YNE
	QCPL-2604				ACPL-7900-500ME	HCPL-7800-300E
	QCPL-2604-000E				ACPL-790A-000E	HCPL-7800-30GE
	Iso Voltage Detector				HCPL-3700	ACPL-790A-300E
HCPL-3700#300		ACPL-790A-500E		HCPL-7800-500E		
HCPL-3700#500		ACPL-790B-000E		HCPL-7800-50YE		
HCPL-3700-000E		ACPL-790B-300E		HCPL-7800-50YNE		
HCPL-3700-020		ACPL-790B-500E		HCPL-7800-5FYE		
HCPL-3700-020E		ACPL-7970-000E		HCPL-7800-5FYNE		
HCPL-3700-060E		ACPL-7970-300E		HCPL-7800A		
HCPL-3700-300E		ACPL-7970-500E		HCPL-7800A#00Y		
HCPL-3700-320		ACPL-7970-50FE		HCPL-7800A#300		
HCPL-3700-320E		HCPL-7510		HCPL-7800A#500		
HCPL-3700-360E		HCPL-7510-000E		HCPL-7800A#50Y		
HCPL-3700-500E		HCPL-7510-060		HCPL-7800A-000E		
HCPL-3700-520		HCPL-7510-060E	HCPL-7800A-00YE			
HCPL-3700-520E		HCPL-7510-300	HCPL-7800A-00YNE			
HCPL-3700-560E		HCPL-7510-300E	HCPL-7800A-300E			
HCPL-3760		HCPL-7510-360	HCPL-7800A-30GE			
HCPL-3760#300		HCPL-7510-360E	HCPL-7800A-30GNE			
HCPL-3760#500		HCPL-7510-500	HCPL-7800A-500E			
HCPL-3760-000E		HCPL-7510-500E	HCPL-7800A-50YE			
HCPL-3760-060E		HCPL-7510-560	HCPL-7800A-50YM			
HCPL-3760-300E		HCPL-7510-560E	HCPL-7800A-50YNE			
HCPL-3760-360E		HCPL-7520	HCPL-7800A-5FYE			
HCPL-3760-500E		HCPL-7520-000E	HCPL-7800A-5FYNE			
HCPL-3760-560E		HCPL-7520-060	HCPL-7840			
20mA Current Loop Transmitter		HCPL-4100	HCPL-7520-060E	HCPL-7840#00Y		
		HCPL-4100#300	HCPL-7520-300	HCPL-7840#060		
		HCPL-4100#500	HCPL-7520-300E	HCPL-7840#06Y		
	HCPL-4100-000E	HCPL-7520-360	HCPL-7840#300			
	HCPL-4100-300E	HCPL-7520-360E	HCPL-7840#360			
	HCPL-4100-500E	HCPL-7520-500	HCPL-7840#36Y			
	HCPL-4100-50RE	HCPL-7520-500E	HCPL-7840#500			
20mA Current Loop Receiver	HCPL-4200	HCPL-7520-560	HCPL-7840#50Y			
	HCPL-4200#300	HCPL-7520-560E	HCPL-7840#560			
	HCPL-4200#500	HCPL-7560	HCPL-7840#56Y			
	HCPL-4200-000E	HCPL-7560-000E	HCPL-7840-000E			
	HCPL-4200-300E	HCPL-7560-060	HCPL-7840-000ME			
	HCPL-4200-500E	HCPL-7560-060E	HCPL-7840-00YE			
High Bandwidth Analog Optocoupler	HCPL-4562	HCPL-7560-300	HCPL-7840-060E			
	HCPL-4562#020	HCPL-7560-300E	HCPL-7840-06YE			
	HCPL-4562#060	HCPL-7560-360	HCPL-7840-300E			
	HCPL-4562#300	HCPL-7560-360E	HCPL-7840-30GE			
	HCPL-4562#320	HCPL-7560-500	HCPL-7840-30GNE			

DIP-8	Part Number	DIP-8	Part Number	DIP-8	Part Number
Current Sense	HCPL-7840-360E	Gate Driver	ACPL-3130-360E	Gate Driver	HCPL-3140-300E
	HCPL-7840-36YE		ACPL-3130-500E		HCPL-3140-360E
	HCPL-7840-500E		ACPL-3130-560E		HCPL-3140-500E
	HCPL-7840-500ME		ACPL-J313-000E		HCPL-3140-500N
	HCPL-7840-50YE		ACPL-J313-300E		HCPL-3140-560E
	HCPL-7840-560E		ACPL-J313-500E		HCPL-3140-560N
	HCPL-7840-56RE		ACPL-K312-000E		HCPL-3140-560NE
	HCPL-7840-56YE		ACPL-K312-060E		HCPL-3150
	HCPL-7860		ACPL-K312-500E		HCPL-3150#060
	HCPL-7860#00Y		ACPL-K312-560E		HCPL-3150#300
	HCPL-7860#300		ACPL-T350-000E		HCPL-3150#360
	HCPL-7860#500		ACPL-T350-060E		HCPL-3150#500
	HCPL-7860#50Y		ACPL-T350-300E		HCPL-3150#560
	HCPL-7860-000E		ACPL-T350-360E		HCPL-3150-000E
	HCPL-7860-00GE		ACPL-T350-500E		HCPL-3150-060E
	HCPL-7860-00GNE		ACPL-T350-560E		HCPL-3150-300E
	HCPL-7860-00YE		HCPL-3020		HCPL-3150-360E
	HCPL-7860-300E		HCPL-3020-000E		HCPL-3150-500E
	HCPL-7860-500E		HCPL-3020-060		HCPL-3150-50GE
	HCPL-7860-50RE		HCPL-3020-060E		HCPL-3150-50GNE
	HCPL-7860-50SE		HCPL-3020-300		HCPL-3150-560E
	HCPL-7860-50YE		HCPL-3020-300E		HCPL-3150-56FE
	HCPL-7860-50YNE		HCPL-3020-360		HCPL-3150-56GE
	HCPL-7860-5FYE		HCPL-3020-360E		HCPL-3150-56GNE
	HCPL-7860-5FYNE		HCPL-3020-500		HCPL-3150-56Y
	QCPL-751H-000E		HCPL-3020-500E		HCPL-3150-56YE
	QCPL-751H-060E		HCPL-3020-560		HCPL-3180
	QCPL-751H-300E		HCPL-3020-560E		HCPL-3180-000E
	QCPL-751H-360E		HCPL-3120		HCPL-3180-060
	QCPL-751H-500E		HCPL-3120#060		HCPL-3180-060E
	QCPL-751H-560E		HCPL-3120#300		HCPL-3180-300
	QCPL-752H-000E		HCPL-3120#360		HCPL-3180-300E
	QCPL-752H-060E		HCPL-3120#500		HCPL-3180-360
	QCPL-752H-300E		HCPL-3120#560		HCPL-3180-360E
	QCPL-752H-360E		HCPL-3120-000E		HCPL-3180-500
	QCPL-752H-500E		HCPL-3120-00GE		HCPL-3180-500E
	QCPL-752H-560E		HCPL-3120-00GNE		HCPL-3180-560
	QCPL-7801-5FYE		HCPL-3120-060E		HCPL-3180-560E
	QCPL-7813-500E		HCPL-3120-060NE		HCPL-J312
	QCPL-7841		HCPL-3120-300E		HCPL-J312#300
	QCPL-7841#360		HCPL-3120-360E		HCPL-J312#500
	QCPL-7841-000E		HCPL-3120-500E		HCPL-J312-000E
QCPL-7842	HCPL-3120-50GE	HCPL-J312-300E			
QCPL-7842#500	HCPL-3120-50GNE	HCPL-J312-500E			
QCPL-7842-500E	HCPL-3120-50RE	HCPL-J312-50RE			
QCPL-7843-500	HCPL-3120-560E	HCPL-J314			
QCPL-7843-500E	HCPL-3120-560ME	HCPL-J314#300			
QCPL-7847-000E	HCPL-3120-560NE	HCPL-J314#500			
QCPL-7847-300E	HCPL-3120-56GE	HCPL-J314-000E			
QCPL-7847-500E	HCPL-3120-56GNE	HCPL-J314-300E			
QCPL-7861-500E	HCPL-3120-56SE	HCPL-J314-500E			
QCPL-7862-500NE	HCPL-3140	HCPL-T250			
Gate Driver	ACPL-312U-000E	HCPL-3140#060	HCPL-T250#060		
	ACPL-312U-300E	HCPL-3140#300	HCPL-T250#300		
	ACPL-312U-500E	HCPL-3140#500	HCPL-T250#360		
	ACPL-3130-000E	HCPL-3140#560	HCPL-T250#500		
	ACPL-3130-060E	HCPL-3140-000E	HCPL-T250#560		
	ACPL-3130-300E	HCPL-3140-060E	HCPL-T250-000E		

DIP-8	Part Number	DIP-8	Part Number	DIP-8	Part Number	
Gate Driver	HCPL-T250-060E	HS CMOS	HCPL-7710-500NE	HS CMOS	HCPL-7723	
	HCPL-T250-300E		HCPL-7710-50GE		HCPL-7723-000E	
	HCPL-T250-360E		HCPL-7710-520		HCPL-7723-020	
	HCPL-T250-500E		HCPL-7710-520E		HCPL-7723-020E	
	HCPL-T250-560E		HCPL-7710-560E		HCPL-7723-060	
	HCPL-T251		HCPL-7710-560NE		HCPL-7723-060E	
	HCPL-T251#300		HCPL-7720		HCPL-7723-300	
	HCPL-T251#500		HCPL-7720#060		HCPL-7723-300E	
	HCPL-T251-000E		HCPL-7720#300		HCPL-7723-320	
	HCPL-T251-300E		HCPL-7720#360		HCPL-7723-320E	
	HCPL-T251-500E		HCPL-7720#500		HCPL-7723-360	
	QCPL-302H-000E		HCPL-7720#560		HCPL-7723-360E	
	QCPL-302H-060E		HCPL-7720-000E		HCPL-7723-500	
	QCPL-302H-300E		HCPL-7720-000N		HCPL-7723-500E	
	QCPL-302H-360E		HCPL-7720-000NE		HCPL-7723-50FE	
	QCPL-302H-500E		HCPL-7720-020		HCPL-7723-520	
	QCPL-302H-560E		HCPL-7720-020E		HCPL-7723-520E	
	QCPL-3121		HCPL-7720-060E		HCPL-7723-560	
	QCPL-3121-000E		HCPL-7720-300E		HCPL-7723-560E	
	QCPL-3124-560		HCPL-7720-320		QCPL-7722	
	QCPL-3124-560E		HCPL-7720-320E		QCPL-7722#560	
	QCPL-3126-500E		HCPL-7720-360E		QCPL-7722-560E	
	QCPL-3126-50RE		HCPL-7720-500E		HCPL-4502	
	QCPL-3126-560E		HCPL-7720-500NE		HCPL-4502#020	
	QCPL-312H-000E		HCPL-7720-50GE		HCPL-4502#060	
	QCPL-312H-300E		HCPL-7720-50GNE		HCPL-4502#300	
	QCPL-312H-500E		HCPL-7720-520		HCPL-4502#500	
	QCPL-312H-560E		HCPL-7720-520E		HCPL-4502-000E	
	QCPL-3131-000E		HCPL-7720-560E		HCPL-4502-020E	
	QCPL-314H-000E		HCPL-7720-56GE		HCPL-4502-060E	
	QCPL-314H-500E		HCPL-7720-56GNE		HCPL-4502-300E	
	QCPL-J310-500		HCPL-7721		HCPL-4502-320E	
	QCPL-J310-500E		HCPL-7721#060		HCPL-4502-500E	
	HS CMOS		ACPL-772L-000E		HCPL-7721#300	HCPL-4502-520E
			ACPL-772L-020E		HCPL-7721#360	HCPL-4503
			ACPL-772L-060E		HCPL-7721#500	HCPL-4503#00K
			ACPL-772L-300E		HCPL-7721#560	HCPL-4503#020
			ACPL-772L-320E		HCPL-7721-000E	HCPL-4503#060
			ACPL-772L-360E		HCPL-7721-000NE	HCPL-4503#300
			ACPL-772L-500E		HCPL-7721-00GE	HCPL-4503#320
ACPL-772L-520E		HCPL-7721-00GNE	HCPL-4503#360			
ACPL-772L-560E		HCPL-7721-020	HCPL-4503#500			
HCPL-7710		HCPL-7721-020E	HCPL-4503#520			
HCPL-7710#060		HCPL-7721-060E	HCPL-4503#560			
HCPL-7710#300		HCPL-7721-300E	HCPL-4503#56K			
HCPL-7710#360		HCPL-7721-320	HCPL-4503-000E			
HCPL-7710#500		HCPL-7721-320E	HCPL-4503-000N			
HCPL-7710#560		HCPL-7721-360E	HCPL-4503-000NE			
HCPL-7710-000E		HCPL-7721-500E	HCPL-4503-00GE			
HCPL-7710-000NE		HCPL-7721-50GE	HCPL-4503-00GNE			
HCPL-7710-020		HCPL-7721-50GNE	HCPL-4503-00KE			
HCPL-7710-020E		HCPL-7721-50RE	HCPL-4503-00KN			
HCPL-7710-060E		HCPL-7721-520	HCPL-4503-020E			
HCPL-7710-300E		HCPL-7721-520E	HCPL-4503-060E			
HCPL-7710-320		HCPL-7721-560E	HCPL-4503-300E			
HCPL-7710-320E		HCPL-7721-560N	HCPL-4503-320E			
HCPL-7710-360E		HCPL-7721-560NE	HCPL-4503-360E			
HCPL-7710-500E		HCPL-7721-56RE	HCPL-4503-500E			

DIP-8	Part Number	DIP-8	Part Number	DIP-8	Part Number	
IPM Driver	HCPL-4503-520E	IPM Driver	HCPL-J454	PhotoMOSFET	ASSR-3220-002E	
	HCPL-4503-560E		HCPL-J454#300		ASSR-3220-302E	
	HCPL-4503-560N		HCPL-J454#500		ASSR-3220-502E	
	HCPL-4503-560NE		HCPL-J454#50K		ASSR-322R-002E	
	HCPL-4503-56KE		HCPL-J454-000E		ASSR-322R-302E	
	HCPL-4504		HCPL-J454-300E		ASSR-322R-502E	
	HCPL-4504#020		HCPL-J454-400E		ASSR-402C-002E	
	HCPL-4504#060		HCPL-J454-500E		ASSR-402C-302E	
	HCPL-4504#300		HCPL-J454-50KE		ASSR-402C-502E	
	HCPL-4504#320		HCPL-J454-50KN		ASSR-4128-002E	
	HCPL-4504#360		HCPL-J454-600E		ASSR-4128-302E	
	HCPL-4504#500		HCPL-J456		ASSR-4128-502E	
	HCPL-4504#520		HCPL-J456#300		ASSR-V621-002E	
	HCPL-4504#560		HCPL-J456#500		ASSR-V621-302E	
	HCPL-4504-000E		HCPL-J456-000E		ASSR-V621-502E	
	HCPL-4504-00GE		HCPL-J456-300E		ASSR-V622-002E	
	HCPL-4504-00GNE		HCPL-J456-500E		ASSR-V622-302E	
	HCPL-4504-020E		QCPL-4505-56FE		ASSR-V622-502E	
	HCPL-4504-060E		QCPL-4509		QSSR-4112-503E	
	HCPL-4504-300E		QCPL-4509#560			
	HCPL-4504-320E		QCPL-4509-560E			
	HCPL-4504-360E		QCPL-450F		400mil DIP-8	Part Number
	HCPL-4504-500E		QCPL-450F#500		100KBD Darlington	HCNW138
	HCPL-4504-520E		QCPL-450F-500E			HCNW138#300
	HCPL-4504-560E		QCPL-4514			HCNW138#500
	HCPL-4504-56FE		QCPL-4514#060			HCNW138-000E
	HCPL-4504-56FNE		QCPL-4514-060E			HCNW138-300E
	HCPL-4506		QCPL-4514-560E			HCNW138-500E
	HCPL-4506#020		QCPL-4528			HCNW138-50RE
	HCPL-4506#060		QCPL-4528-000E			HCNW139
	HCPL-4506#300		QCPL-4555#500			HCNW139#300
	HCPL-4506#320		QCPL-4555-500E			HCNW139#500
	HCPL-4506#360		ACPL-4800		HCNW139-000E	
	HCPL-4506#500		ACPL-4800-000E		HCNW139-300E	
	HCPL-4506#520		ACPL-4800-060		HCNW139-500E	
	HCPL-4506#560		ACPL-4800-060E		HCNW139-50RE	
	HCPL-4506-000E		ACPL-4800-300		10MBD Logic	ACNW261L-000E
	HCPL-4506-020E		ACPL-4800-300E			ACNW261L-300E
	HCPL-4506-060E		ACPL-4800-360			ACNW261L-500E
	HCPL-4506-300E		ACPL-4800-360E			HCNW137
	HCPL-4506-320E		ACPL-4800-500			HCNW137#300
	HCPL-4506-360E		ACPL-4800-500E			HCNW137#500
HCPL-4506-500E	ACPL-4800-560	HCNW137-000E				
HCPL-4506-520E	ACPL-4800-560E	HCNW137-300E				
HCPL-4506-52RE	ASSR-1228-002E	HCNW137-500E				
HCPL-4506-560E	ASSR-1228-302E	HCNW2601				
HCPL-4506-560N	ASSR-1228-502E	HCNW2601#300				
HCPL-4506-560NE	ASSR-1420-002E	HCNW2601#500				
HCPL-4534	ASSR-1420-302E	HCNW2601-000E				
HCPL-4534#020	ASSR-1420-502E	HCNW2601-300E				
HCPL-4534#300	ASSR-1520-002E	HCNW2601-500E				
HCPL-4534#500	ASSR-1520-302E	HCNW2601-50GE				
HCPL-4534#520	ASSR-1520-502E	HCNW2601-50GNE				
HCPL-4534-000E	ASSR-1530-005E	HCNW2611				
HCPL-4534-020E	ASSR-1530-505E	HCNW2611#300				
HCPL-4534-300E	ASSR-302C-002E	HCNW2611#500				
HCPL-4534-500E	ASSR-302C-302E	HCNW2611-000E				
HCPL-4534-520E	ASSR-302C-502E	HCNW2611-300E				
			HCNW2611-500E			

400mil DIP-8	Part Number	400mil DIP-8	Part Number	400mil DIP-8	Part Number
10MBD Logic	HCNW2611-50RE	Analog Optocoupler	HCNR201-50GNE	IPM Driver	HCNW4506#300
	QCPL-1602-500		HCNR201-50RE		HCNW4506#500
	QCPL-1602-500E		HCNR201-550E		HCNW4506-000E
1MBD Transistor	HCNW135	High Bandwidth Analog Optocoupler	HCNR201-550N	IPM Driver	HCNW4506-300E
	HCNW135#300		HCNR201-55RE		HCNW4506-500E
	HCNW135#500		HCNW4562		HCNW4506-50RE
	HCNW135-000E	Gate Driver	HCNW4562#300		HCNW4506-50SE
	HCNW135-300E		HCNW4562#500		QCPL-1451-500E
	HCNW135-500E		HCNW4562-000E		QCPL-1456-300
	HCNW136		HCNW4562-300E		QCPL-1456-300E
	HCNW136#300		HCNW4562-500E		QCPL-1458
	HCNW136#500	ACNW3130-000E	QCPL-1458#300		
	HCNW136-000E	IPM Driver	ACNW3130-300E		QCPL-1458#500
	HCNW136-300E		ACNW3130-500E		QCPL-1458-000E
	HCNW136-500E		ACNW3190-000E		QCPL-1458-500E
	HCNW136-50RE		ACNW3190-300E		QCPL-1458-50SE
	QCPL-1514		ACNW3190-500E		QCPL-1466
			HCNW3120		QCPL-1466-000E
			HCNW3120#300		
	5MBD Logic	HCNW2201			HCNW3120#500
HCNW2201#300			HCNW3120-000E	10MBD Logic	ACNV2601-000E
HCNW2201#500			HCNW3120-00GE		ACNV2601-300E
HCNW2201-000E			HCNW3120-00GNE		ACNV2601-500E
HCNW2201-300E			HCNW3120-300E		ACNV260E-000E
HCNW2201-500E			HCNW3120-500E		ACNV260E-300E
HCNW2211			HCNW3120-50RE	ACNV260E-500E	
HCNW2211#300			HCNW3120-50SE	Gate Driver	ACNV3130-000E
HCNW2211#500			QCPL-1300-500		ACNV3130-300E
HCNW2211-000E			QCPL-1300-500E		ACNV3130-500E
HCNW2211-300E					
HCNW2211-500E					
Analog Optocoupler		HCNR200		HCNW4502	IPM Driver
	HCNR200#050		HCNW4502#300	ACNV4506-300E	
	HCNR200#300		HCNW4502#500	ACNV4506-500E	
	HCNR200#350		HCNW4502-000E		
	HCNR200#500		HCNW4502-300E		
	HCNR200#550		HCNW4502-500E		
	HCNR200-000E		HCNW4503		
	HCNR200-050E		HCNW4503#00K		
	HCNR200-300E		HCNW4503#300		
	HCNR200-350E		HCNW4503#500		
	HCNR200-500E		HCNW4503-000E		
	HCNR200-550E		HCNW4503-000N		
	HCNR201		HCNW4503-000NE		
	HCNR201#050		HCNW4503-00KE		
	HCNR201#300		HCNW4503-00KN		
	HCNR201#350		HCNW4503-300E		
	HCNR201#500		HCNW4503-500E		
	HCNR201#550		HCNW4503-500NE		
	HCNR201-000E		HCNW4504		
	HCNR201-000NE		HCNW4504#300		
	HCNR201-00GE		HCNW4504#500		
	HCNR201-00GNE		HCNW4504-000E		
	HCNR201-050E		HCNW4504-300E		
	HCNR201-050N		HCNW4504-500E		
	HCNR201-300E		HCNW4504-50GE		
	HCNR201-350E		HCNW4504-50GNE		
	HCNR201-500E		HCNW4504-50RE		
	HCNR201-50GE		HCNW4506		