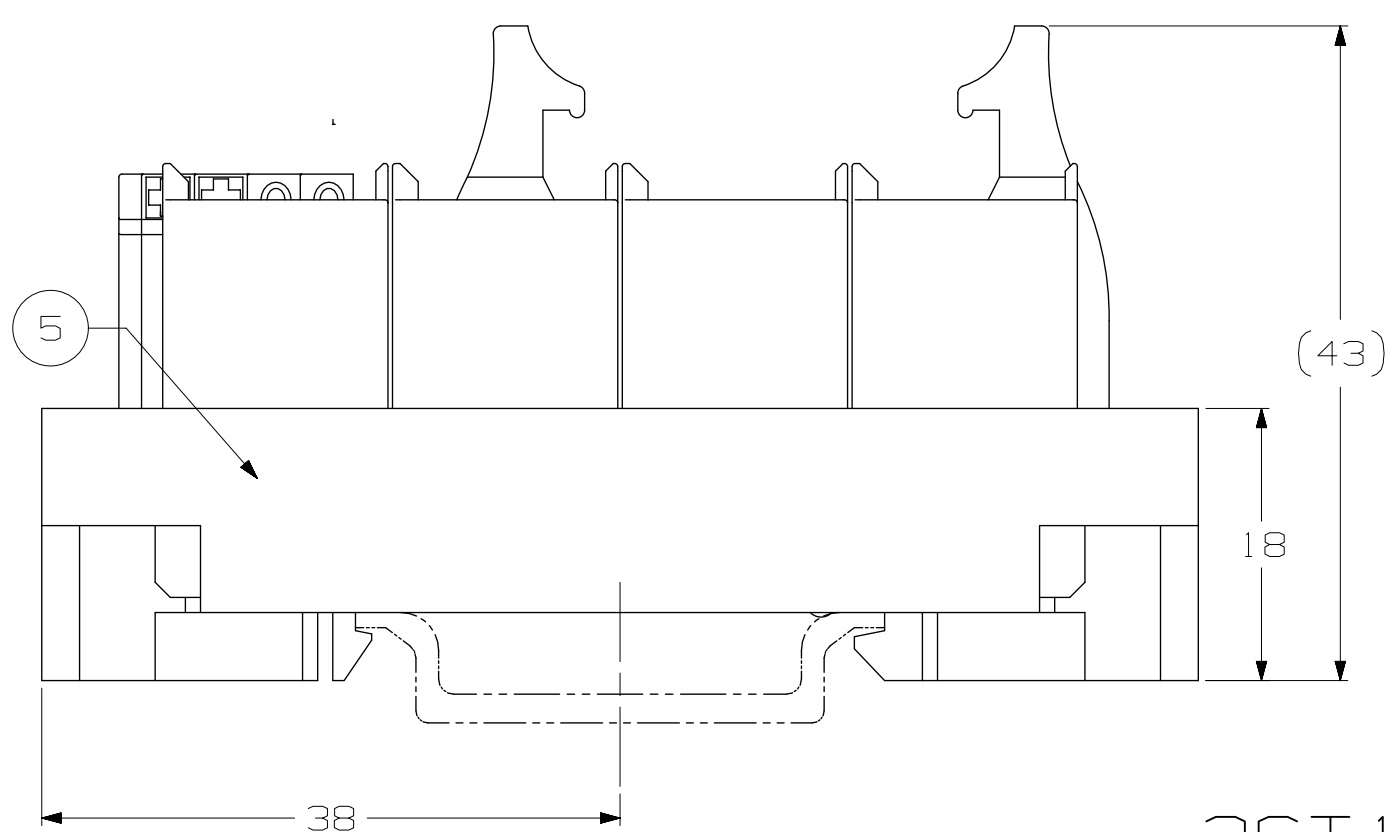
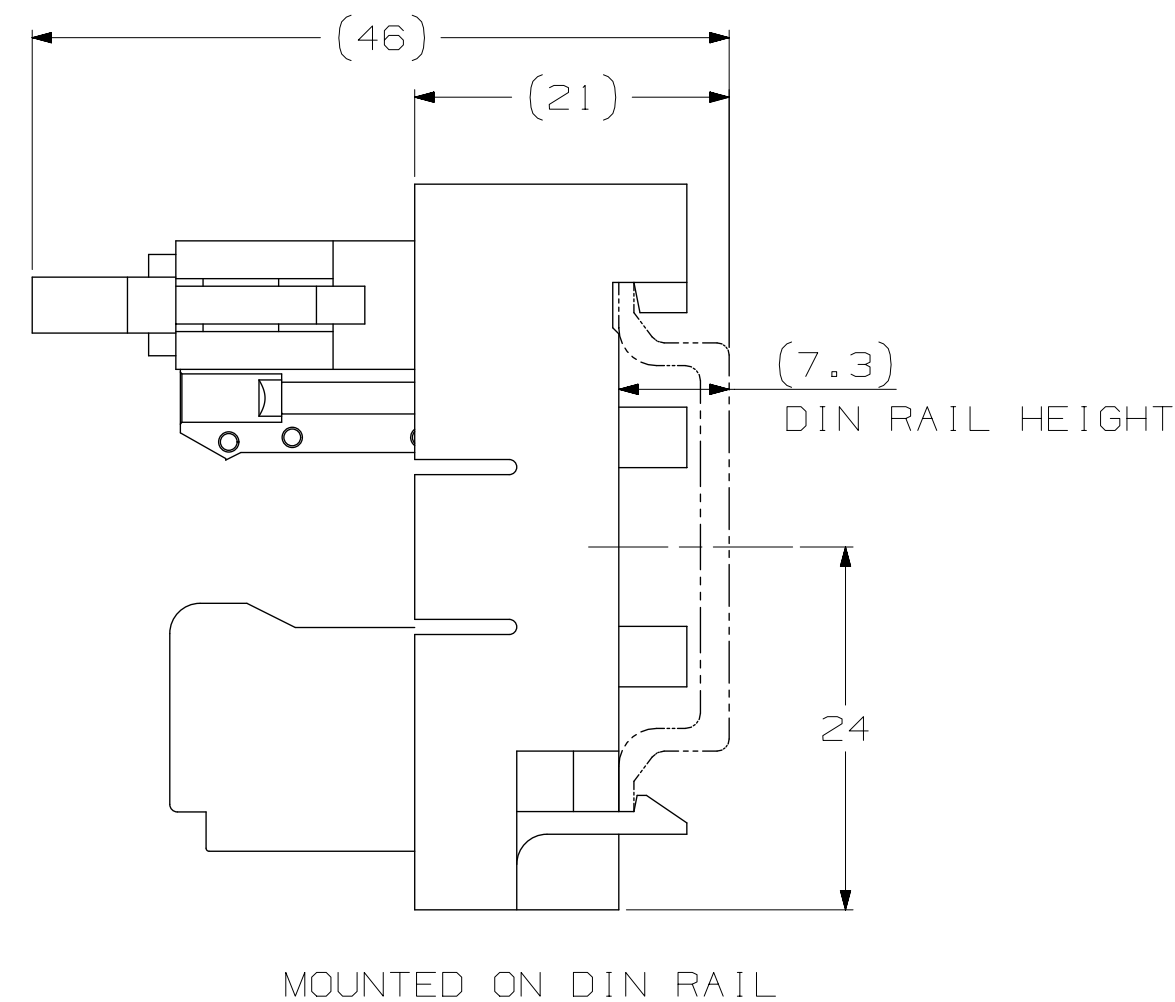
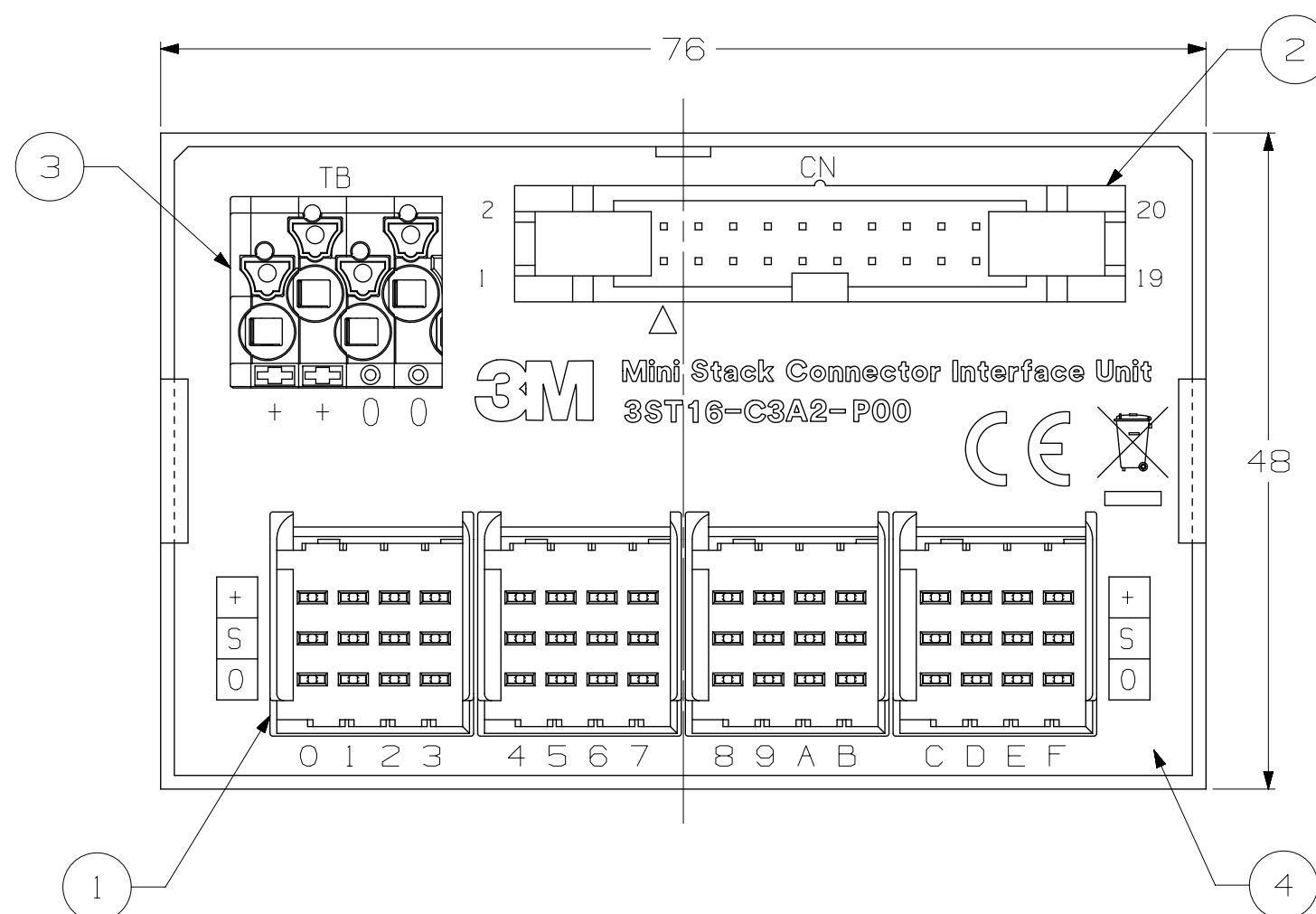


3M™ MINI STACK CONNECTOR, INTERFACE UNIT 3STXX-C3AX-P00 SERIES



3ST16-C3A2-P00

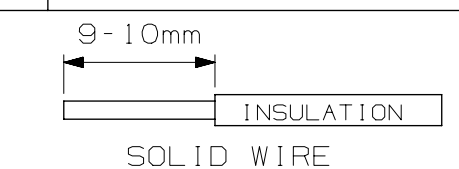
STRUCTURE	COMPONENT/NAME	NOTES	QTY
1	CONNECTOR MINI STACK CONNECTOR	DEVICE SIDE BM HEADER 35612-62C3-B00 PP	4
2	CONNECTOR 0.1"X0.1" STANDARD SOCKET/HEADER 3000 SERIES	CONTROLLER SIDE BM HEADER 3428-6002 LCPL CONFORMING TO MIL-DTL-83503	1
3	TERMINAL BLOCK	FOR POWER SUPPLY PUSH-IN TYPE	1
4	PCB	---	1
5	CASE	---	1

RATING		
ITEM	RATING	NOTES
VOLTAGE	32V AC/DC	---
CURRENT	1A/CONTACT PIN	CONNECTOR
ENVIRONMENT	10A/CONTACT PIN	TERMINAL BLOCK
	-20 TO +60degC	UNDER OPERATION
	85%RH MAX. NO CONDENSATION	

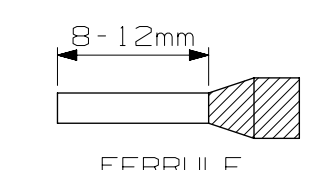
CHARACTERISTICS		
ITEM	PROPERTY	NOTES
I/O SIGNAL	16 CHANNELS	CONNECTOR
I/O COMMON	2 CHANNELS	CONNECTOR
POWER SUPPLY	2 CHANNELS	TERMINAL BLOCK 1 CHANNEL WITH 2 POLES
INSULATION RESISTANCE	1,000M-OHM MIN.	500V DC, 1 MINUTE
WITHSTANDING VOLTAGE	1,000V AC	1 MINUTE

MATING COMPATIBILITY OF CONNECTOR	
CONNECTOR	WIREMOUNT SOCKET
MINI STACK CONNECTOR	3S503-XX30-X00 PN
0.1"X0.1" STANDARD SOCKET/HEADER	3421-XX20
	3421-XX00 WITH STRAIN RELIEF 3448-3020
	7920-X500 XX WITH STRAIN RELIEF 3448-7920 OR 3448-7920 LP

APPLICABLE WIRE FOR TERMINAL BLOCK		
CONDUCTOR STYLE	AWG/AREA/SIZE	NOTES
SOLID WIRE	0.5mm TO 1.2mm DIAMETER	STRIPPING LENGTH OF INSULATION IS 9 TO 10mm
STRANDED WIRE	24AWG TO 16AWG 0.25mm ² TO 1.5mm ²	FERRULE SHALL BE USED



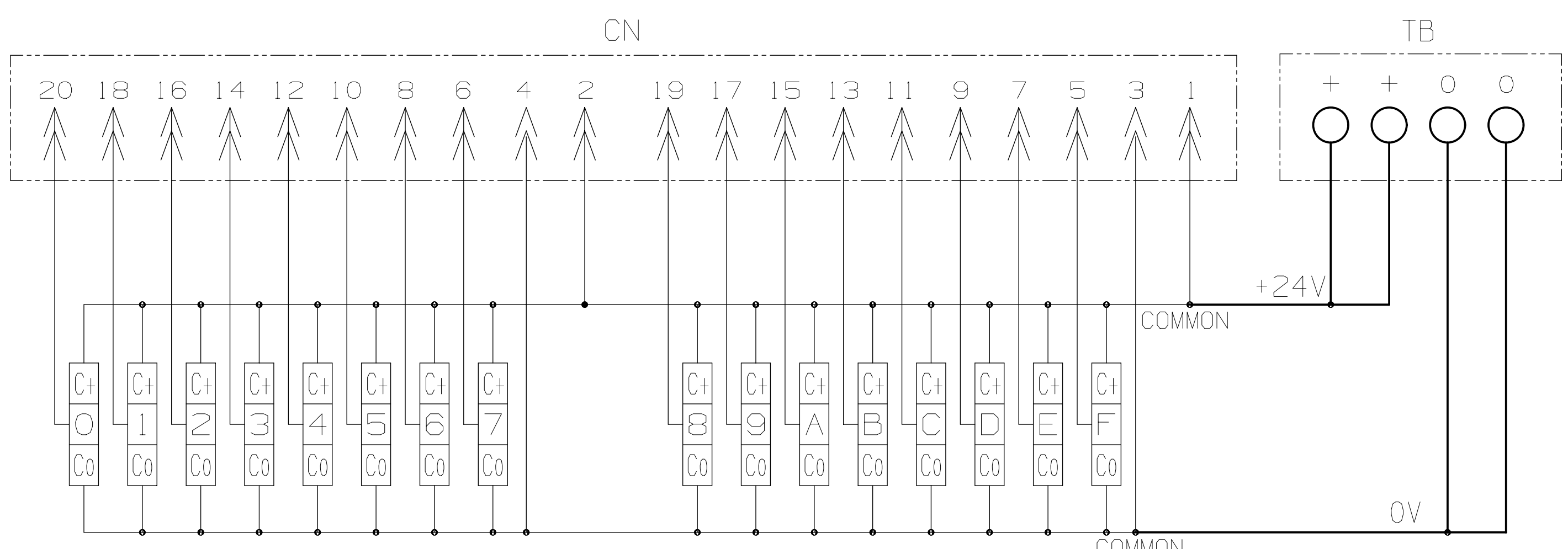
APPLICABLE FERRULE FOR TERMINAL BLOCK		
ITEM	PROPERTY	NOTES
LENGTH	8 TO 12mm	
AWG/AREA	24AWG TO 16AWG 0.25mm ² TO 1.5mm ²	1.0mm ² MAX. WITH HEXAGONAL CRIMP SHAPE



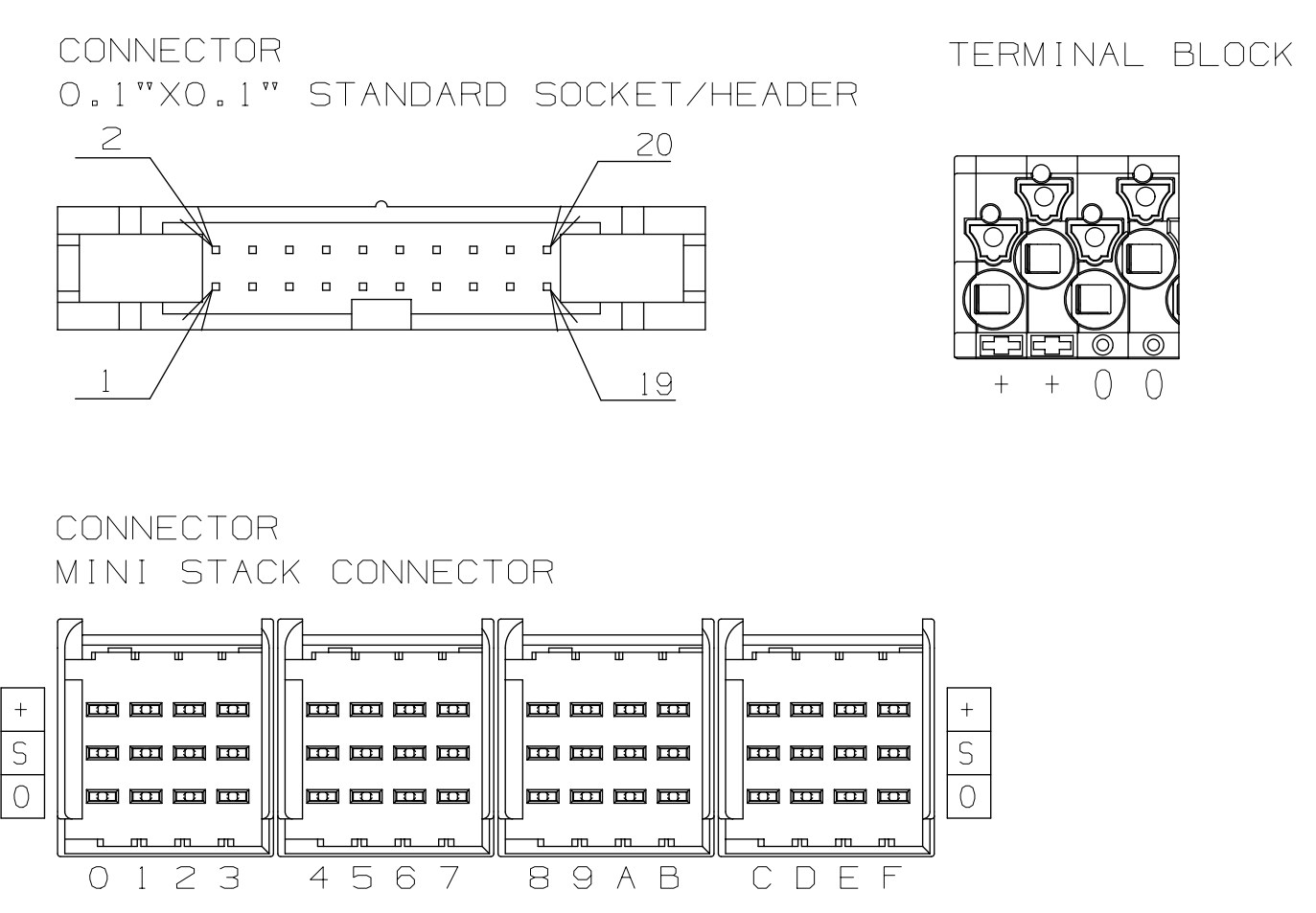
INTERFACE UNIT ORDERING INFORMATION
3STXX-C3AX-P00

--- TYPE OF CONTROLLER SIDE CONNECTOR
--- NUMBER OF I/O SIGNAL CHANNELS

AVAILABLE PRODUCT NUMBER	NUMBER OF I/O SIGNAL CHANNELS	NUMBER OF CONTROLLER SIDE CONNECTOR CHANNELS
3ST16-C3A2-P00	16	20
3ST32-C3A4-P00	32	40



CIRCUIT DIAGRAM



CONTACT PIN NUMBER

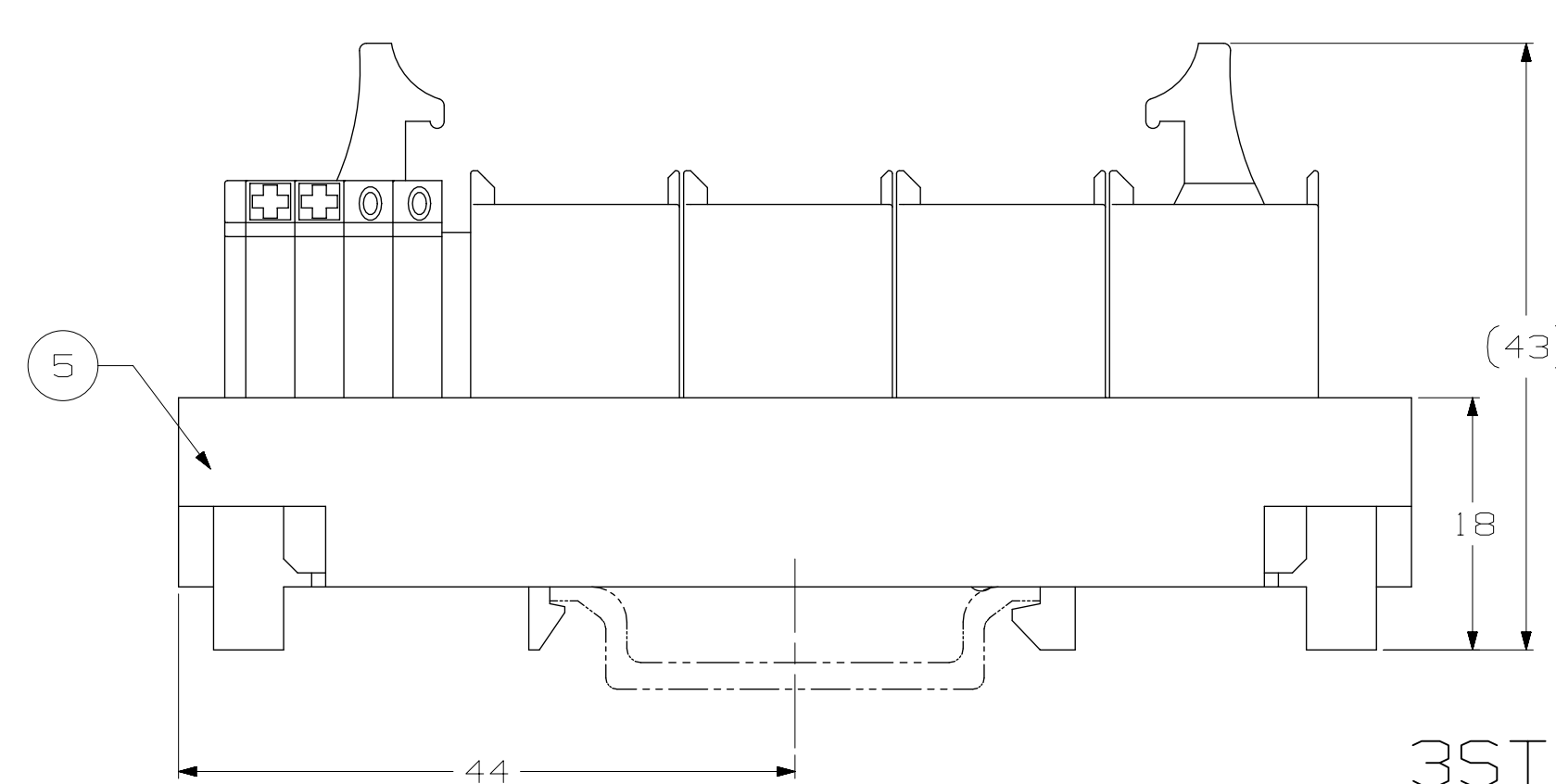
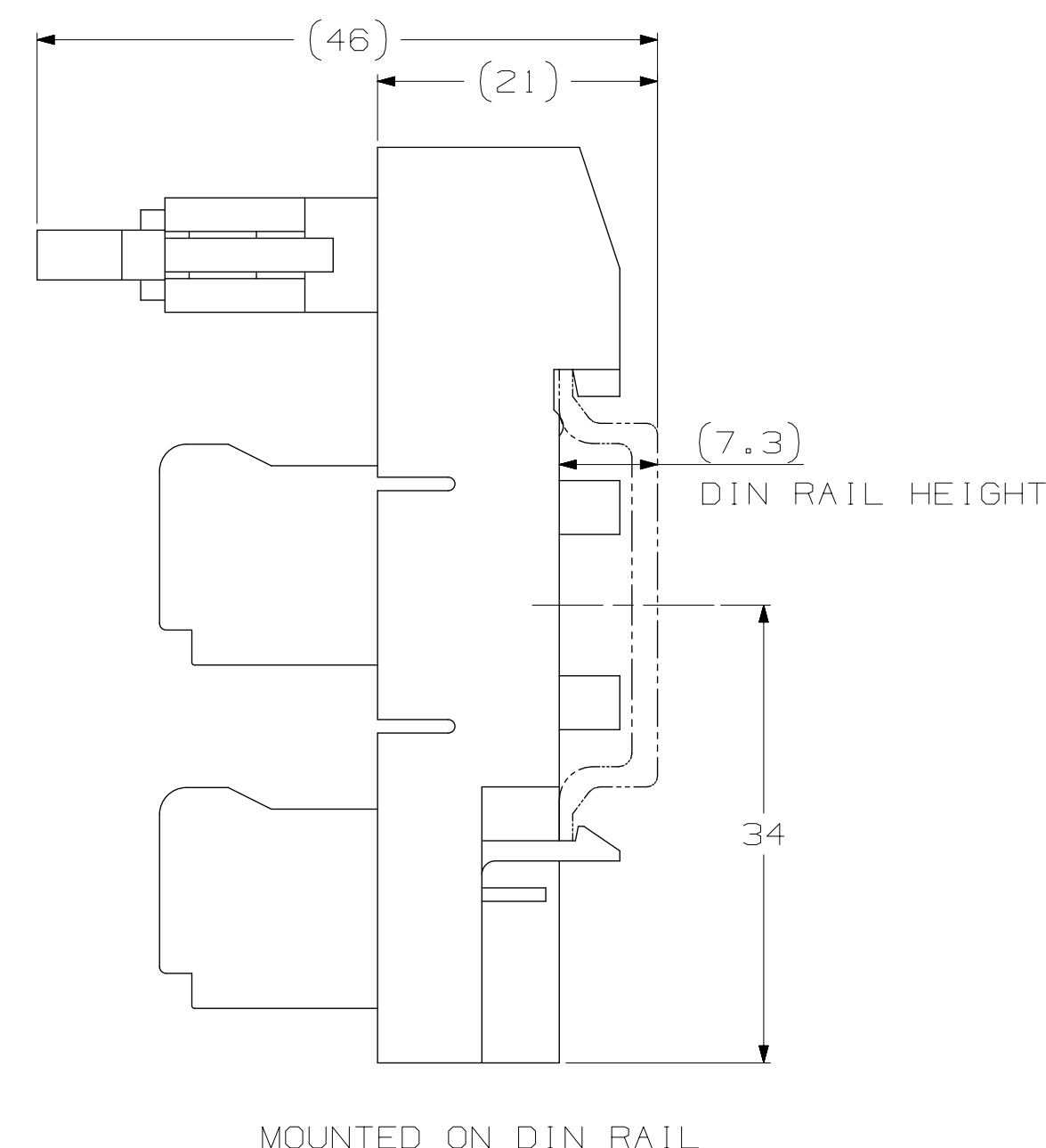
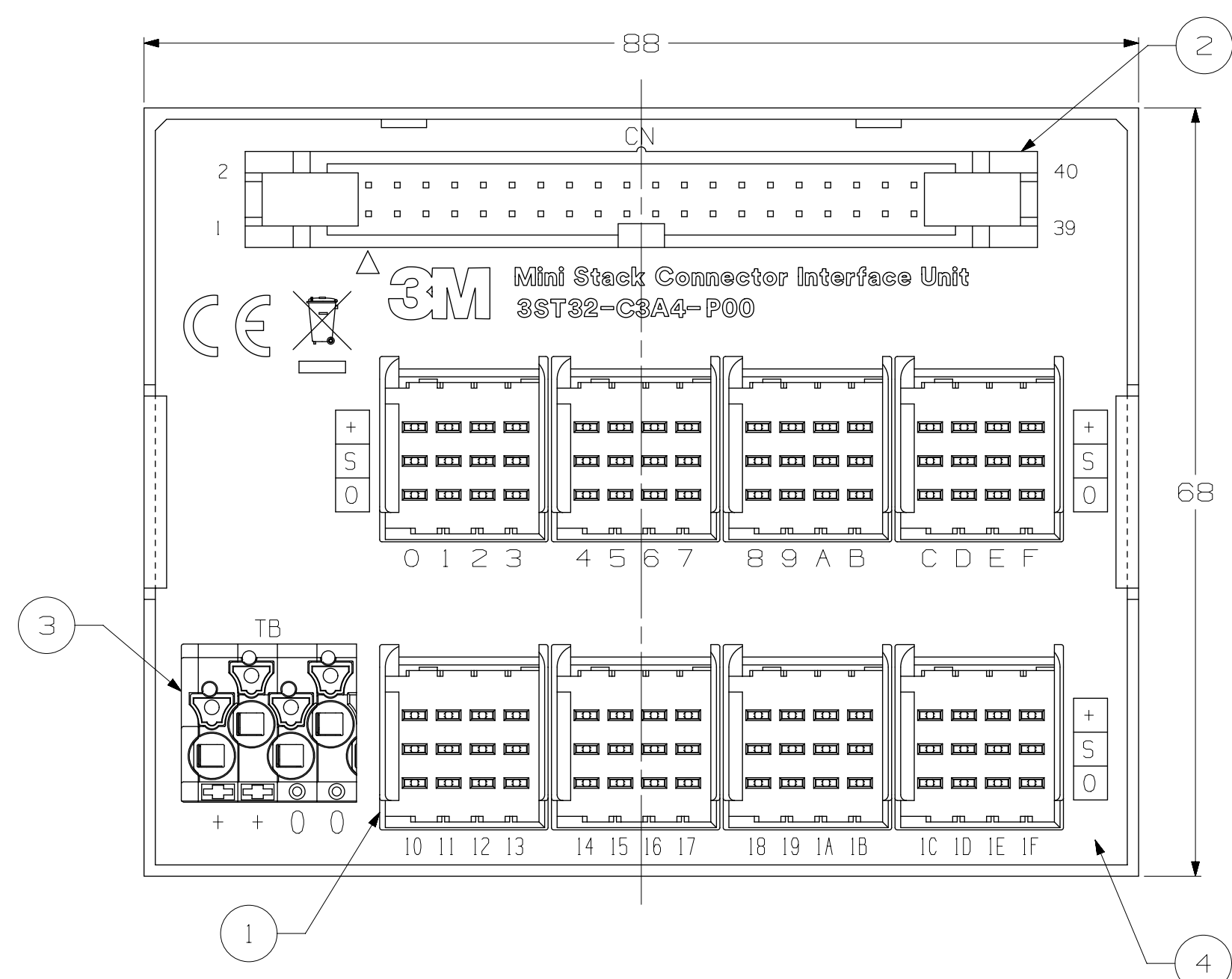
CAUTION FOR USE

-MAKE SURE TO TURN OFF THE POWER BEFORE CONNECTING OR REMOVING THE WIRES AND SOCKETS
-APPLY SPECIFIED VOLTAGE AND CURRENT CORRECTLY.
APPLICATION OF INCORRECT VOLTAGE AND CURRENT WILL SPOIL THE SPECIFIED PERFORMANCE OF THIS PRODUCT AND MAY BREAK OR BURN THE PRODUCT ITSELF.

3M ELECTRONICS MATERIALS SOLUTIONS DIVISION
INTERCONNECT SOLUTIONS
<http://www.3M.com/interconnect>
3M IS A TRADEMARK OF 3M COMPANY.
FOR TECHNICAL, SALES OR ORDERING INFORMATION CALL 800-225-5373

DESIGN REFERENCE	NEXT ASSEMBLY	REV	ECO	ISSUE DATE AND DESCRIPTION	DRFT	CHKD
		Y. TSUBAKI		APR 18, 2023	WFO	
		T. HAYASHI		APR 18, 2023	Y. KAWATE	APR 18, 2023
DIVISION		DIVISION CODE		DATE		
DO NOT SCALE DRAWING		SCALE FREE		TOLERANCES EXCEPT AS NOTED		
THIRD ANGLE PROJECTION		INTERPRET PER ASME Y14.5-2018		MILLIMETERS		
MAX SURFACE ROUGHNESS 125		MARKED ONLY		INCHES		
				.00 ± .005		
				.00 ± .013		
				.000 ± .005		
				.00 ± .005		
				.00 ± .013		
				.000 ± .005		
				.00 ± .005		
				.00 ± .013		
				.000 ± .005		
				.00 ± .005		
				.00 ± .013		
				.000 ± .005		
				.00 ± .005		
				.00 ± .013		
				.000 ± .005		
				.00 ± .005		
				.00 ± .013		
				.000 ± .005		
				.00 ± .005		
				.00 ± .013		
				.000 ± .005		
				.00 ± .005		
				.00 ± .013		
				.000 ± .005		
				.00 ± .005		
				.00 ± .013		
				.000 ± .005		
				.00 ± .005		
				.00 ± .013		
				.000 ± .005		
				.00 ± .005		
				.00 ± .013		
				.000 ± .005		
				.00 ± .005		
				.00 ± .013		
				.000 ± .005		
				.00 ± .005		
				.00 ± .013		
				.000 ± .005		
				.00 ± .005		
				.00 ± .013		
				.000 ± .005		
				.00 ± .005		
				.00 ± .013		
				.000 ± .005		
				.00 ± .005		
				.00 ± .013		
				.000 ± .005		
				.00 ± .005		
				.00 ± .013		
				.000 ± .005		
				.00 ± .005		
				.00 ± .013		
				.000 ± .005		
				.00 ± .005		
				.00 ± .013		
				.000 ± .005		
				.00 ± .005		
				.00 ± .013		
				.000 ± .005		
				.00 ± .005		
				.00 ± .013		
				.000 ± .005		
				.00 ± .005		
				.00 ± .013		
				.000 ± .005		
				.00 ± .005		
				.00 ± .013		
				.000 ± .005		
				.00 ± .005		
				.00 ± .013		
				.000 ± .005		
				.00 ± .005		
				.00 ± .013		
				.000 ± .005		
				.00 ± .005		
				.00 ± .013		
				.000 ± .005		
				.00 ± .005		
				.00 ± .013		
				.000 ± .005		
				.00 ± .005		
				.00 ± .013		
				.000 ± .005		
				.00 ± .005		
				.00 ± .013		
				.000 ± .005		
				.00 ± .005		
				.00 ± .013		
				.000 ± .005		
				.00 ± .005		
				.00 ± .013		
				.000 ± .005		
				.00 ± .005		
				.00 ± .013		
				.000 ± .005		
				.00 ± .005		
				.00 ± .013		
				.000 ± .005		
				.00 ± .005		
				.00 ± .013		
				.000 ± .005		
				.00 ± .005		
				.00 ± .013		
				.000 ± .005		
				.00 ± .005		
				.00 ± .013		
				.000 ± .005		
				.00 ± .005		
				.00 ± .013		
				.000 ± .005		
				.00 ± .005		
				.00 ± .013		
				.000 ± .005		
				.00 ± .005		
				.00 ± .013		
				.000 ± .005		
				.00 ± .005		
				.00 ± .013		
				.000 ± .005		
				.00 ± .005		
				.00 ± .013		
				.000 ± .005		
				.00 ± .005		
				.00 ± .013		
				.000 ± .005		
				.00 ± .005		
				.00 ± .013		
				.000 ± .005		
				.00 ± .005		
				.00 ± .013		
				.000 ± .005		
				.00 ± .005		
				.00 ± .013		
				.000 ± .005		
				.00 ± .005		
				.00 ± .013		
				.000 ± .005		
				.00 ± .005		
				.00 ± .013		
				.000 ± .005		
				.00 ± .005		
				.00 ± .013		
				.000 ± .005		
				.00 ± .005		
				.00 ± .013		
				.000 ± .005		
				.00 ± .005		
				.00 ± .013		
				.000 ± .005		
				.00 ± .005		
				.00 ± .013		
				.000 ± .005		
				.00 ± .005		
				.00 ± .013		
				.000 ± .005		
				.00 ± .005		
				.00 ± .013		
				.000 ± .005		
				.00 ± .005		
				.00 ± .013		
				.000 ± .005		
				.00 ± .005		
				.00 ± .013		
				.000 ± .005		
				.00 ± .005		
				.00 ± .013		
				.000 ± .005		
				.00 ± .005		
				.00 ± .013		
				.000 ± .005		
				.00 ± .005		
				.00 ± .013		
				.000 ± .005		
				.00 ± .005		
				.00 ± .013		
				.000 ± .005		
				.00 ± .005		
				.00 ± .013		
				.000 ± .005		
				.00 ± .005		
				.00 ± .013		
				.000 ± .005		
				.00 ± .005		
				.00 ± .013		
				.000 ± .005		
				.00 ± .005		
				.00 ± .013		
				.000 ± .005		
				.00 ± .005		
				.00 ± .013		
				.000 ± .005		
				.00 ± .005		
				.00 ± .013		
				.000 ± .005		
				.00 ± .005		
				.00 ± .013		
				.000 ± .005		
				.00 ± .005		
				.00 ± .013		
				.000 ± .005		
				.00 ± .005		
				.00 ± .013		
				.000 ± .005		
				.00 ± .005		
				.00 ± .013		
				.000 ± .005		
				.00 ± .005		
				.00 ± .013		
				.000 ± .005		
				.00 ± .005		
				.00 ± .013		
				.000 ± .005		
				.00 ± .005		
				.00 ± .013		
				.000 ± .005		
				.00 ± .005		
				.00 ± .013		
				.000 ± .005		
				.00 ± .005		
				.00 ± .013		
				.000 ± .005		

3M™ MINI STACK CONNECTOR, INTERFACE UNIT 3STXX-C3AX-P00 SERIES



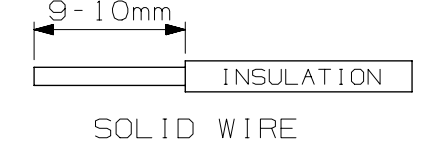
STRUCTURE	COMPONENT/NAME	NOTES	QTY
1	CONNECTOR MINI STACK CONNECTOR	DEVICE SIDE BM HEADER 35612-62C3-B00 PP	8
2	CONNECTOR 0.1"X0.1" STANDARD SOCKET/HEADER 3000 SERIES	CONTROLLER SIDE BM HEADER 3432-6002 LCPL CONFORMING TO MIL-DTL-83503	1
3	TERMINAL BLOCK FOR POWER SUPPLY PUSH-IN TYPE		1
4	PCB	---	1
5	CASE	---	1

RATING	ITEM	RATING	NOTES
VOLTAGE	ITEM	32V AC/DC	---
	CURRENT	1A/CONTACT PIN	CONNECTOR
ENVIRONMENT		10A/CONTACT PIN	TERMINAL BLOCK
		-20 TO +60degC	UNDER OPERATION
		85%RH MAX. NO CONDENSATION	

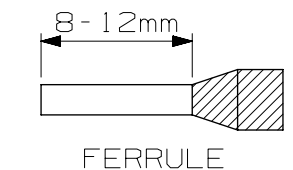
CHARACTERISTICS	ITEM	PROPERTY	NOTES
I/O SIGNAL		32 CHANNELS	CONNECTOR
	I/O COMMON	2 CHANNELS	CONNECTOR
POWER SUPPLY		2 CHANNELS	TERMINAL BLOCK 1 CHANNEL WITH 2 POLES
INSULATION RESISTANCE		1,000M-OHM MIN.	500V DC, 1 MINUTE
WITHSTANDING VOLTAGE		1,000V AC	1 MINUTE

MATING COMPATIBILITY OF CONNECTOR	CONNECTOR	WIREMOUNT SOCKET
MINI STACK CONNECTOR	35503-XX30-X00 PN	
	3417-XX40	
0.1"X0.1" STANDARD SOCKET/HEADER	3417-XX00 WITH STRAIN RELIEF 3448-3040 7940-X500 XX WITH STRAIN RELIEF 3448-7940 OR 3448-7940 LP	

APPLICABLE WIRE FOR TERMINAL BLOCK	CONDUCTOR STYLE	AWG/AREA/SIZE	NOTES
SOLID WIRE		0.5mm TO 1.2mm DIAMETER	STRIPPING LENGTH OF INSULATION IS 9 TO 10mm
STRANDED WIRE		24AWG TO 16AWG 0.25mm ² TO 1.5mm ²	FERRULE SHALL BE USED

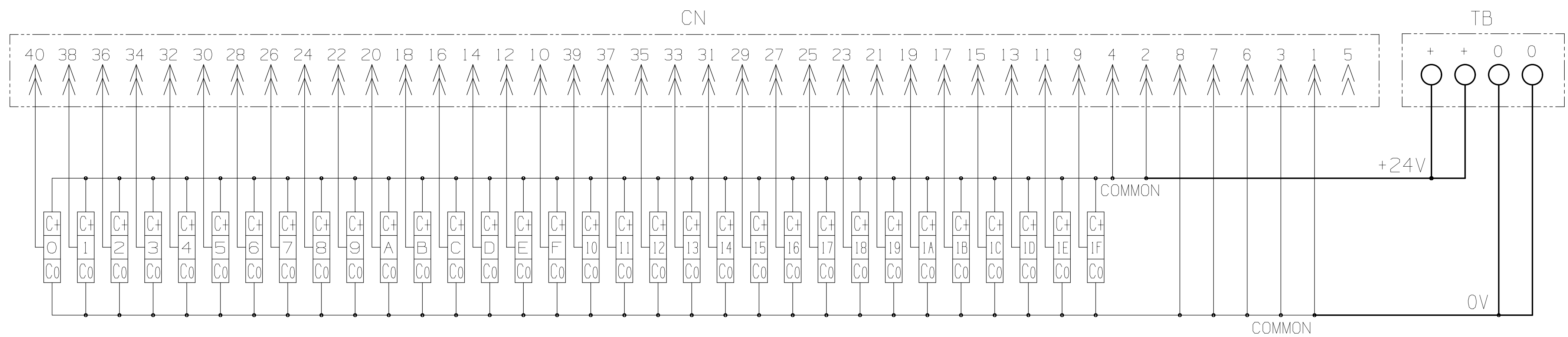


APPLICABLE FERRULE FOR TERMINAL BLOCK	ITEM	PROPERTY	NOTES
LENGTH		8 TO 12mm	
	AWG/AREA	24AWG TO 16AWG 0.25mm ² TO 1.5mm ²	1.0mm ² MAX. WITH HEXAGONAL CRIMP SHAPE

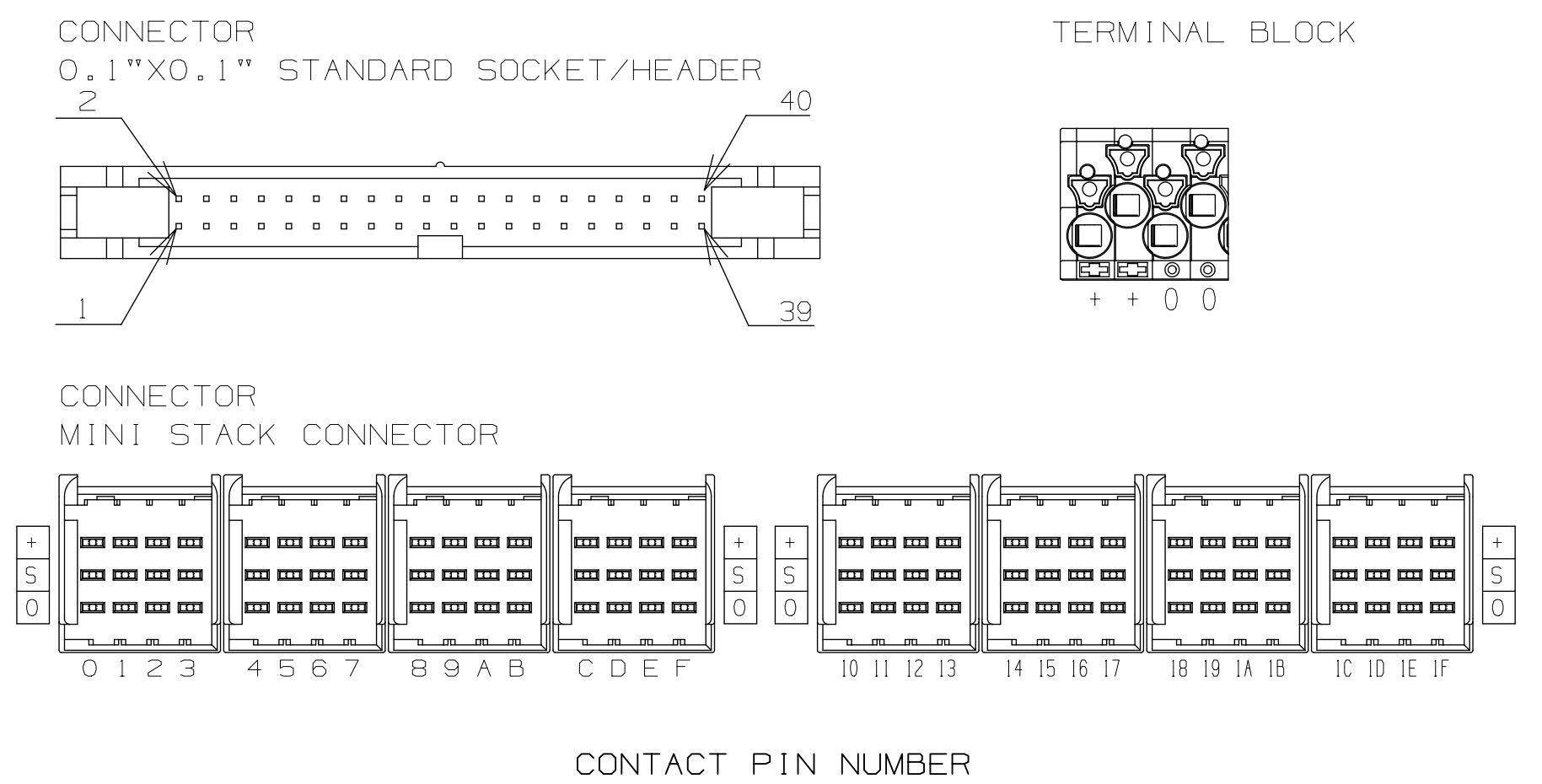


INTERFACE UNIT ORDERING INFORMATION

3STXX-C3AX-P00	AVAILABLE PRODUCT NUMBER	NUMBER OF I/O SIGNAL CHANNELS	NUMBER OF CONTROLLER SIDE CONNECTOR CHANNELS
TYPE OF CONTROLLER SIDE CONNECTOR	3ST16-C3A2-P00	16	20
NUMBER OF I/O SIGNAL CHANNELS	3ST32-C3A4-P00	32	40



CIRCUIT DIAGRAM



CONTACT PIN NUMBER

CAUTION FOR USE

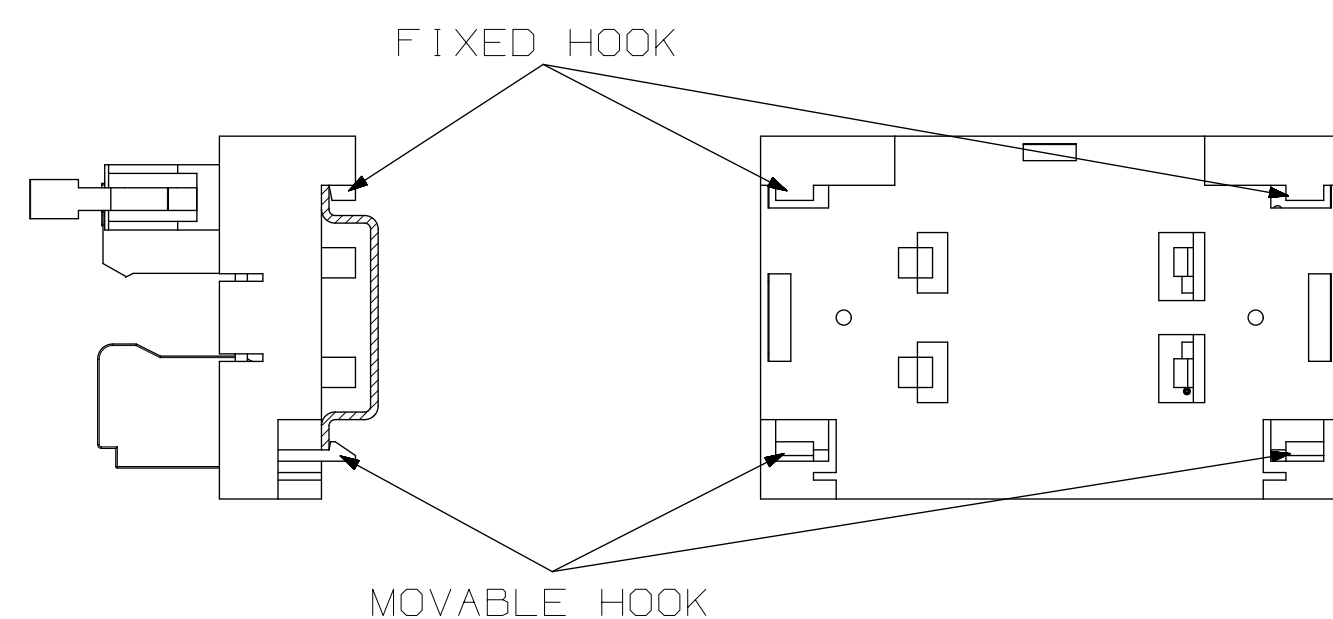
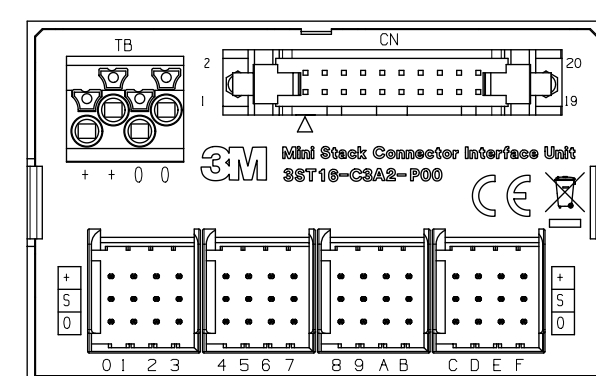
-MAKE SURE TO TURN OFF THE POWER BEFORE CONNECTING OR REMOVING THE WIRES AND SOCKETS
-APPLY SPECIFIED VOLTAGE AND CURRENT CORRECTLY.
APPLICATION OF INCORRECT VOLTAGE AND CURRENT WILL SPOIL THE SPECIFIED PERFORMANCE OF THIS PRODUCT AND MAY BREAK OR BURN THE PRODUCT ITSELF.

3M ELECTRONICS MATERIALS SOLUTIONS DIVISION
INTERCONNECT SOLUTIONS
<http://www.3M.com/interconnect>
3M IS A TRADEMARK OF 3M COMPANY.
FOR TECHNICAL, SALES OR ORDERING INFORMATION CALL 800-225-5373

DO NOT SCALE DRAWING	SCALE FREE	TOLERANCES EXCEPT AS NOTED		3M Center St. Paul, MN 55144 © 3M COPYRIGHT 2023 This document and the information it contains are 3M property and may not be reproduced or further distributed without 3M permission, or used or disclosed other than for 3M authorized purposes. All rights reserved.
THIRD ANGLE PROJECTION	INTERPRET PER ASME Y14.5 2018	INCHES .00 ± .00 ± .000 ± .0000 ± MILLIMETERS 0 ±.2 .0 ±0.5 .00 ±0.13 .000 ±0.005		
MAX SURFACE ROUGHNESS 125	ALL SURFACES MARKED ONLY	ANGLES ±	TITLE MINI STACK CONNECTOR INTERFACE UNIT 3STXX-C3AX-P00	CAD NUMBER D78-5100-2781-2
			MODEL REV. A	SHT 2 OF 5

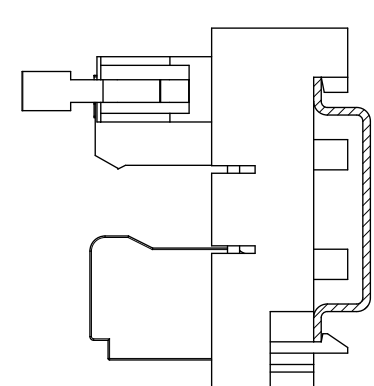
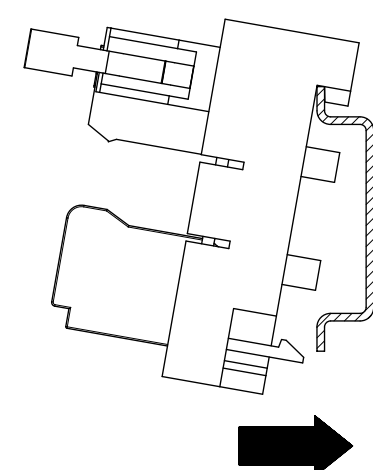
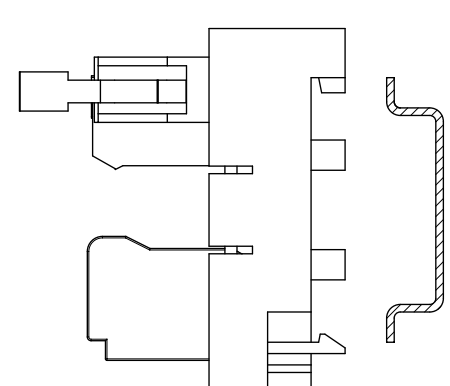
3M™ MINI STACK CONNECTOR, INTERFACE UNIT
3STXX-C3AX-P00 SERIES

HORIZONTAL MOUNTING METHOD ON DIN RAIL



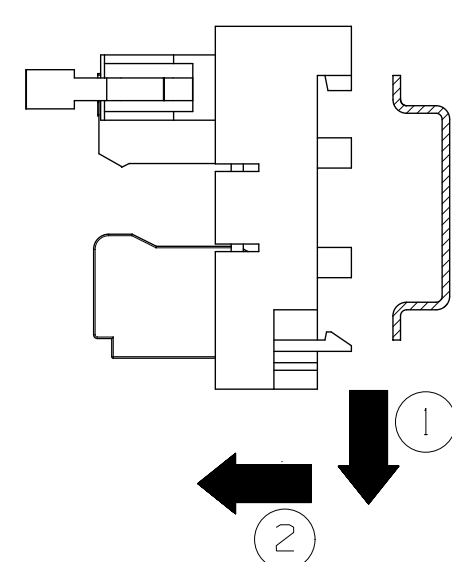
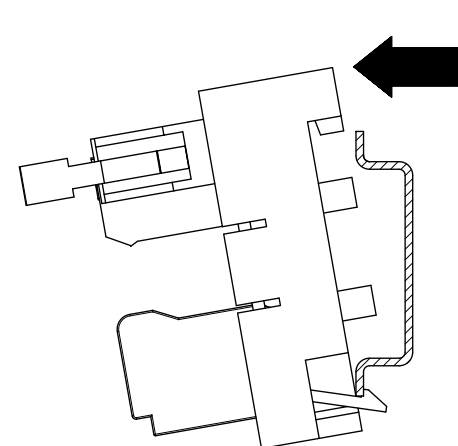
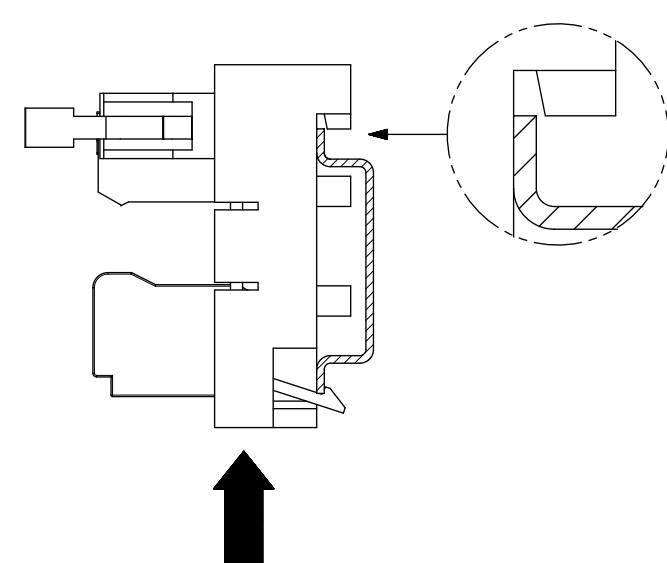
MOUNT TO DIN RAIL

1. USE THE FIXED AND MOVABLE HOOKS ON THE BACK OF THE CASE TO MOUNT A PRODUCT TO DIN RAIL.
2. FIRST, HOOK THE FIXED HOOKS TO DIN RAIL. NEXT, PUSH THE MOVABLE HOOKS INTO DIN RAIL.
3. WHEN THE MOVABLE HOOKS FIT INTO DIN RAIL, MOUNTING IS COMPLETED.

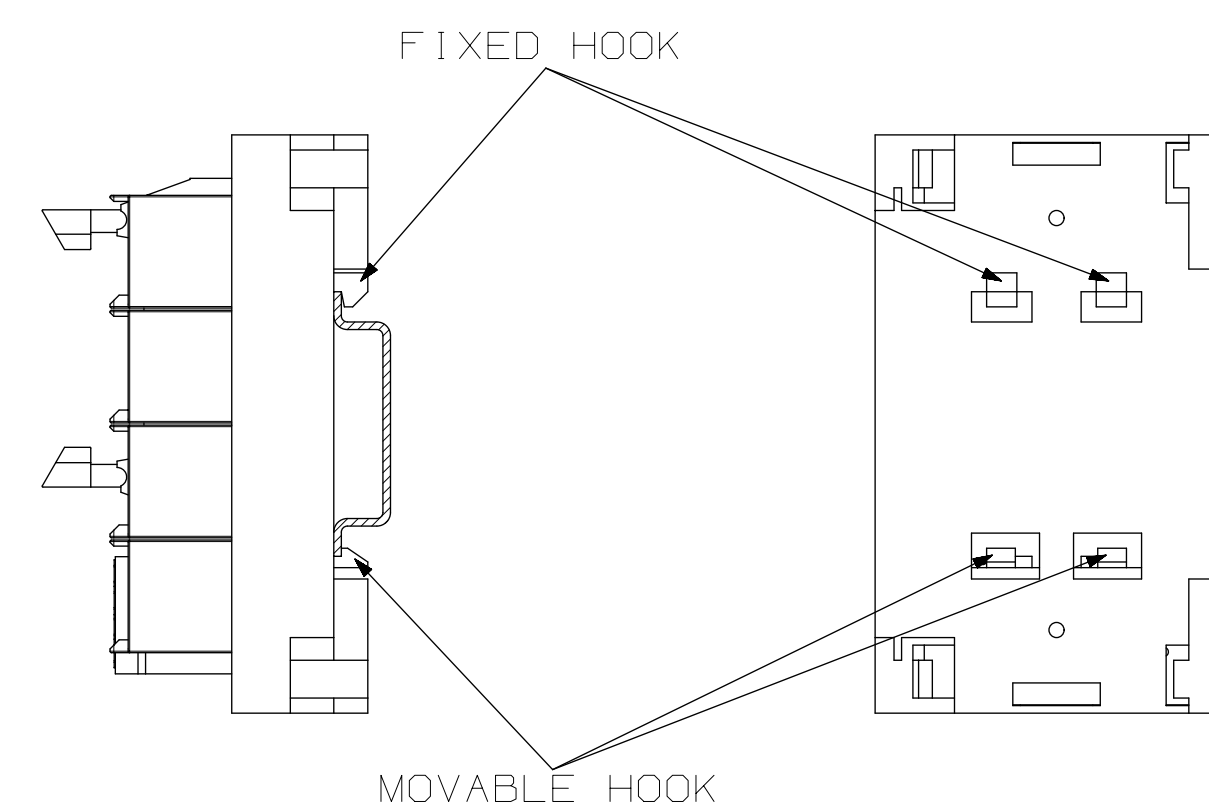
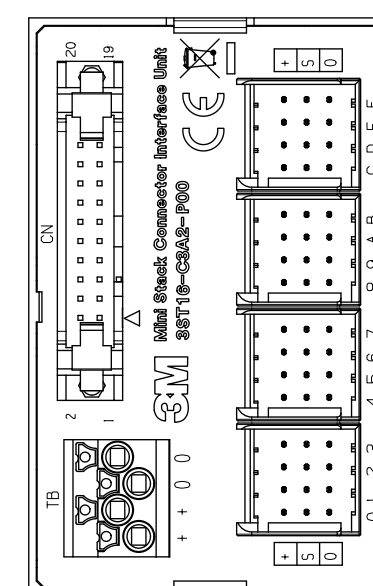


DETACH FROM DIN RAIL

1. PUSH THE PRODUCT TOWARD THE FIXED HOOKS SO THAT THE FIXED HOOKS ARE DISENGAGED FROM DIN RAIL.
2. ONCE THE FIXED HOOKS ARE DETACHED FROM DIN RAIL, LIFT UP THE FIXED HOOK SIDE AND REMOVE PRODUCT FROM DIN RAIL.
3. THEN, ① REMOVE THE MOVABLE HOOKS ALSO FROM DIN RAIL AND ② REMOVE THE PRODUCT.

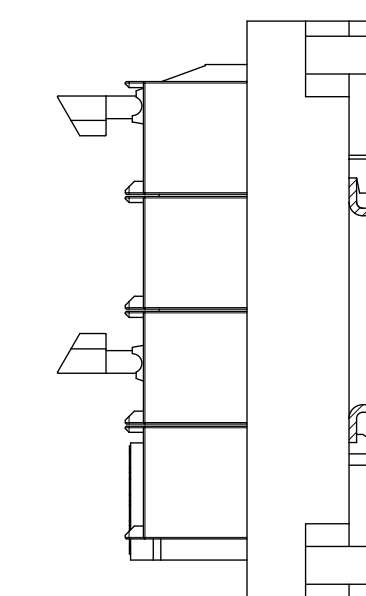
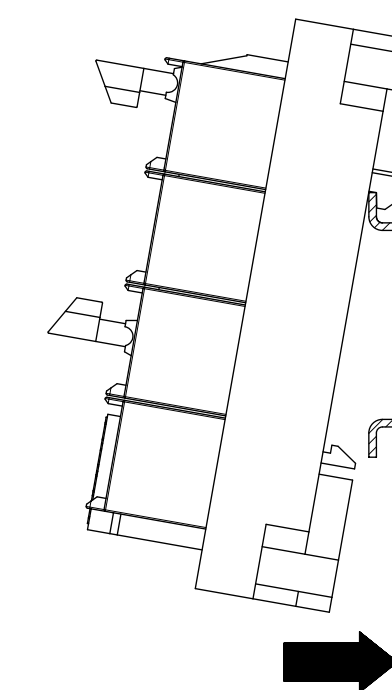
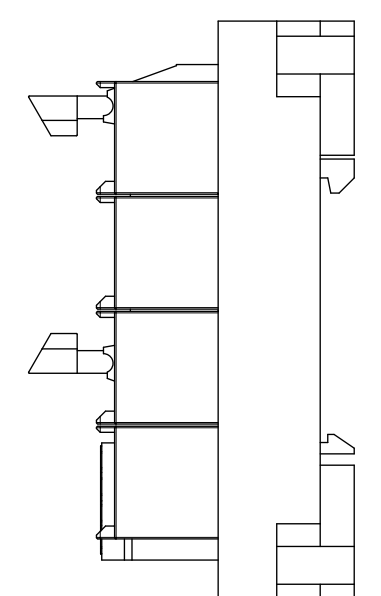


VERTICAL MOUNTING METHOD ON DIN RAIL



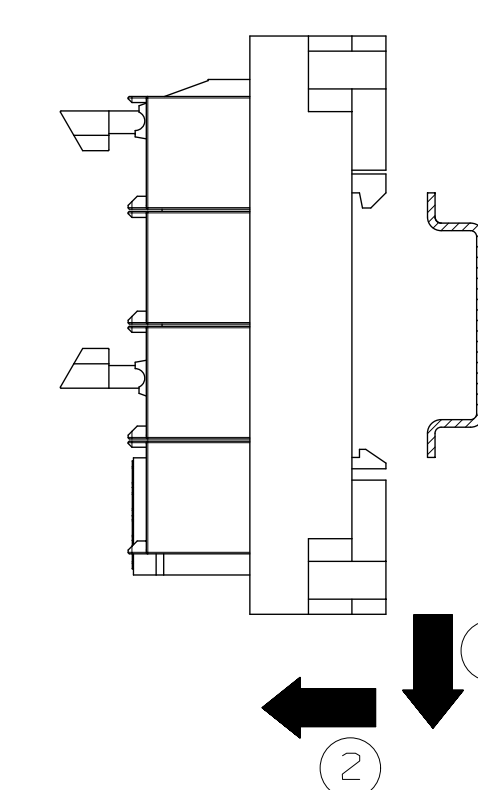
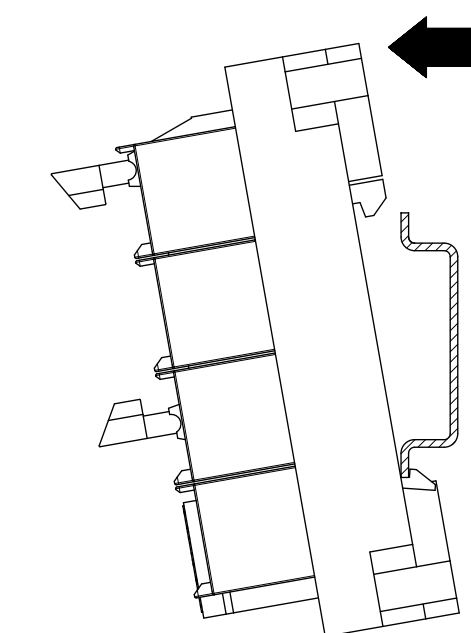
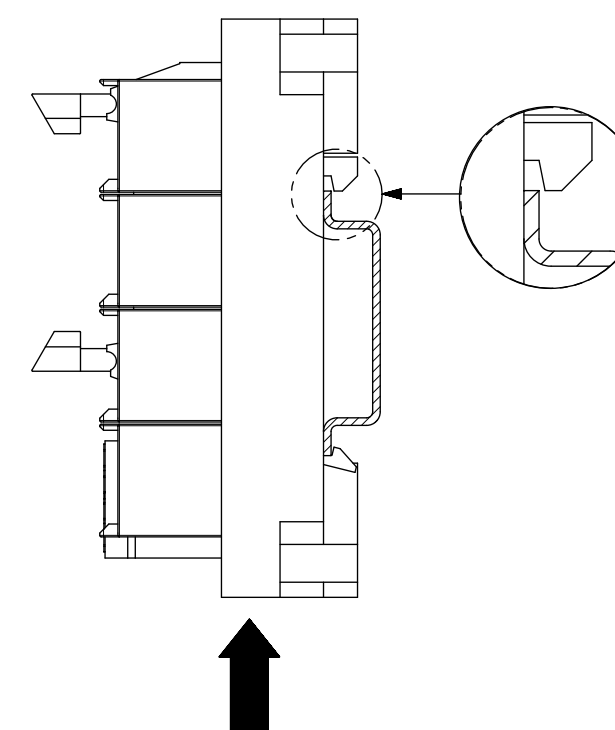
MOUNT TO DIN RAIL

1. USE THE FIXED AND MOVABLE HOOKS ON THE BACK OF THE CASE TO MOUNT A PRODUCT TO DIN RAIL.
2. FIRST, HOOK THE FIXED HOOKS TO DIN RAIL. NEXT, PUSH THE MOVABLE HOOKS INTO DIN RAIL.
3. WHEN THE MOVABLE HOOKS FIT INTO DIN RAIL, MOUNTING IS COMPLETED.



DETACH FROM DIN RAIL

1. PUSH THE PRODUCT TOWARD THE FIXED HOOKS SO THAT THE FIXED HOOKS ARE DISENGAGED FROM DIN RAIL.
2. ONCE THE FIXED HOOKS ARE DETACHED FROM DIN RAIL, LIFT UP THE FIXED HOOK SIDE AND REMOVE PRODUCT FROM DIN RAIL.
3. THEN, ① REMOVE THE MOVABLE HOOKS ALSO FROM DIN RAIL AND ② REMOVE THE PRODUCT.



CAUTION FOR USE

-MAKE SURE TO TURN OFF THE POWER BEFORE CONNECTING OR REMOVING THE WIRES AND SOCKETS.
-APPLY SPECIFIED VOLTAGE AND CURRENT CORRECTLY.
APPLICATION OF INCORRECT VOLTAGE AND CURRENT WILL SPOIL THE SPECIFIED PERFORMANCE OF THIS PRODUCT AND MAY BREAK OR BURN THE PRODUCT ITSELF.

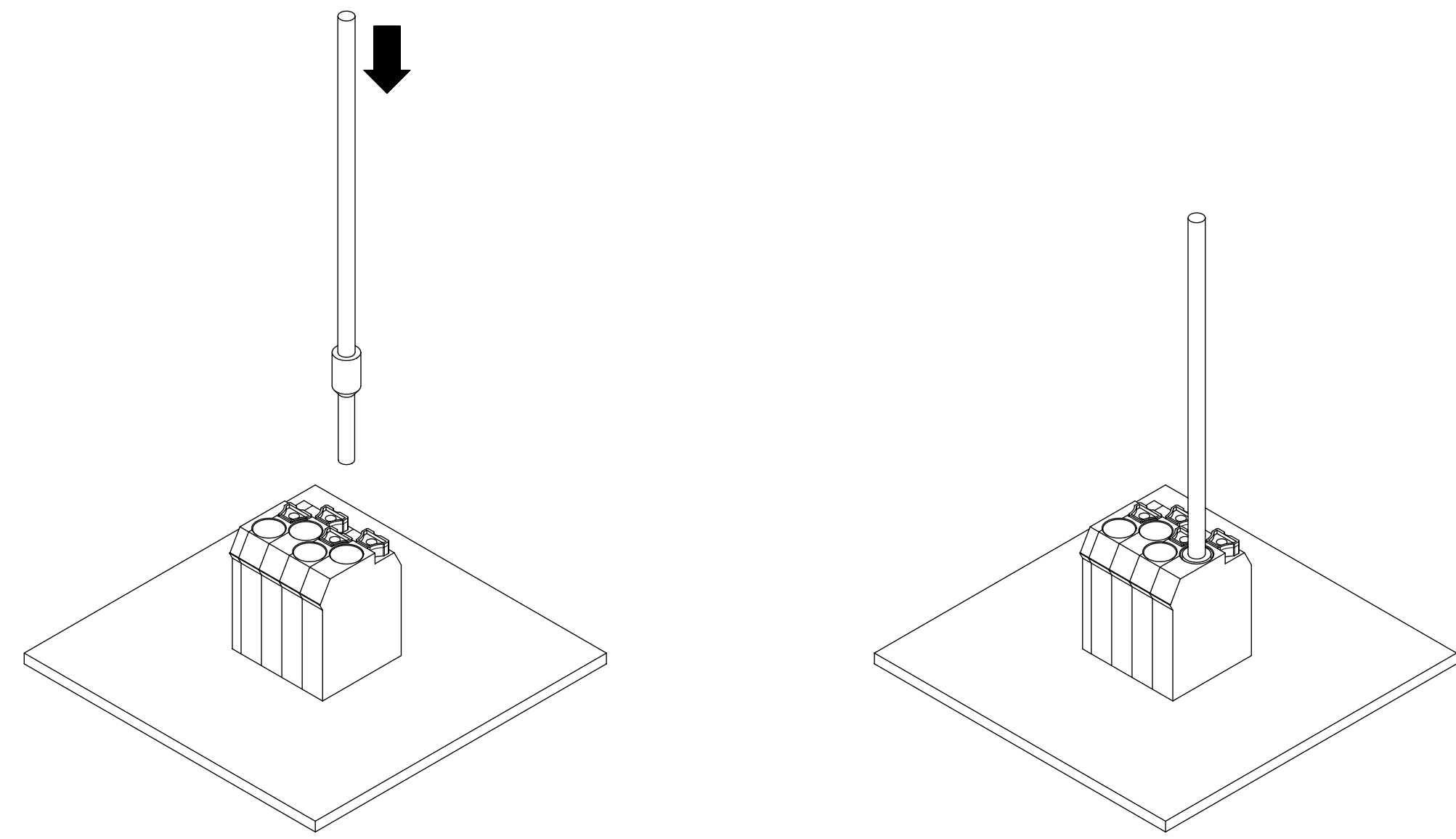
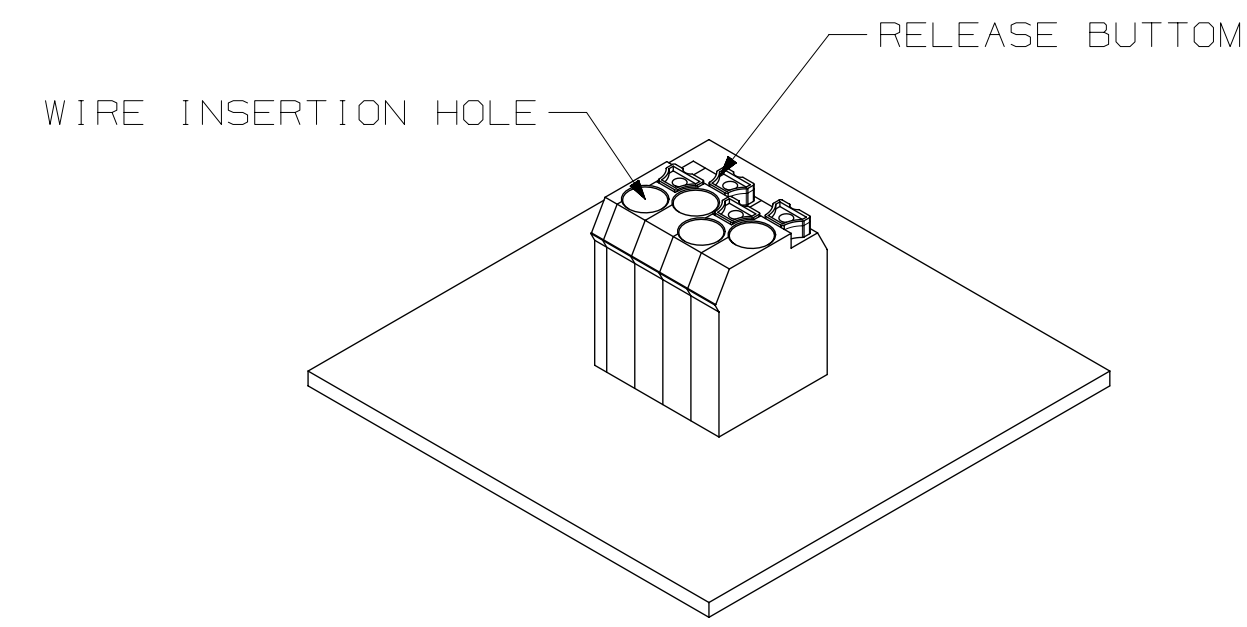
3M ELECTRONICS MATERIALS SOLUTIONS DIVISION
INTERCONNECT SOLUTIONS
<http://www.3M.com/interconnect>
3M IS A TRADEMARK OF 3M COMPANY.
FOR TECHNICAL, SALES OR ORDERING
INFORMATION CALL 800-225-5373

DO NOT SCALE DRAWING	SCALE FREE	TOLERANCES EXCEPT AS NOTED
		INCHES .00 ± .00 ± .000 ± .0000 ±
THIRD ANGLE PROJECTION INTERPRET PER ASME Y14.5-2018		MILLIMETERS 0 ± 2 .0 ± 0.5 .00 ± 0.13 .000 ± 0.005
MAX SURFACE ROUGHNESS 125 ALL SURFACES		ANGLES ±
MARKED ONLY		

3M Center St. Paul, MN 55144		© 3M COPYRIGHT 2023 This document and the information it contains are 3M property and may not be reproduced or further distributed without 3M permission, or used or disclosed other than for 3M authorized purposes. All rights reserved.	
TITLE MINI STACK CONNECTOR INTERFACE UNIT 3STXX-C3AX-P00			
CAGE NUMBER	SIZE	DRAWING NO.	REV.
D		78-5100-2781-2	A
MODEL		LIST <input type="checkbox"/> YES <input checked="" type="checkbox"/> NO	SHT 3 OF 5

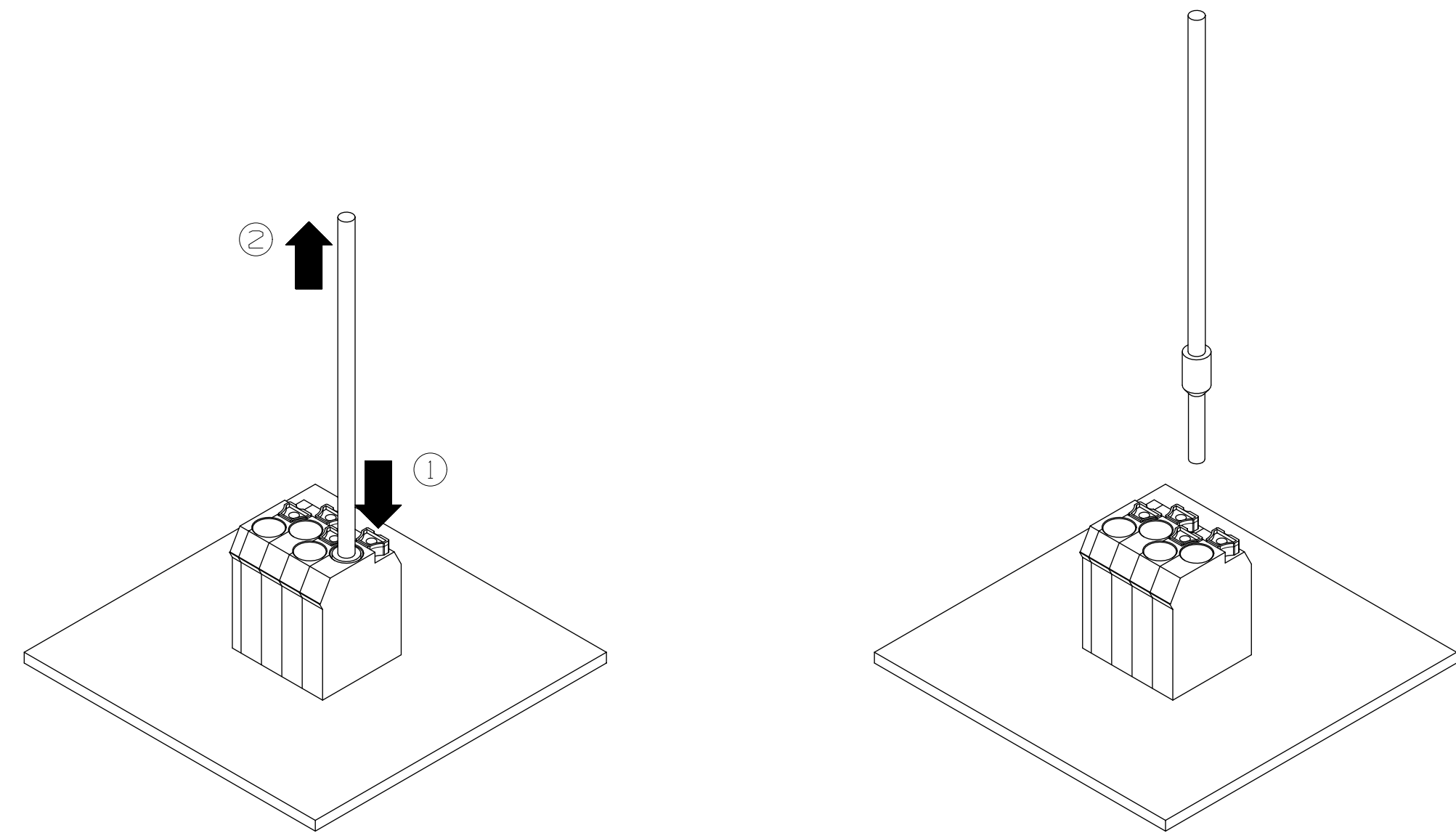
78-5100-2781-2
DRAWING NUMBER
A REVISION

3M™ MINI STACK CONNECTOR, INTERFACE UNIT
3STXX-C3AX-P00 SERIES



WIRE CONNECTION

INSERT THE WIRE INTO THE TERMINAL HOLE UNTIL HITS THE END.



WIRE REMOVAL

- ① PUSH THE RELEASE BUTTON
- ② REMOVE THE WIRE

*RECOMMENDED TOOLS
PHILLIP SCREWDRIVER NO.0-2
FLAT HEAD SCREWDRIVER 1.2-3.0mm WIDTH

CAUTION FOR USE

-MAKE SURE TO TURN OFF THE POWER BEFORE CONNECTING OR REMOVING THE WIRES AND SOCKETS
-APPLY SPECIFIED VOLTAGE AND CURRENT CORRECTLY.
APPLICATION OF INCORRECT VOLTAGE AND CURRENT WILL SPOIL THE SPECIFIED PERFORMANCE OF THIS PRODUCT AND MAY BREAK OR BURN THE PRODUCT ITSELF.

3M ELECTRONICS MATERIALS SOLUTIONS DIVISION
INTERCONNECT SOLUTIONS
<http://www.3M.com/interconnect>
3M IS A TRADEMARK OF 3M COMPANY.
FOR TECHNICAL, SALES OR ORDERING
INFORMATION CALL 800-225-5373

DO NOT SCALE DRAWING	SCALE FREE	TOLERANCES EXCEPT AS NOTED	<p>3M Center St. Paul, MN 55144</p> <p>© 3M COPYRIGHT 2023 This document and the information it contains are 3M property and may not be reproduced or further distributed without 3M permission, or used or disclosed other than for 3M authorized purposes. All rights reserved.</p>
<p>THIRD ANGLE PROJECTION INTERPRET PER ASME Y14.5 2018</p>	<p>INCHES</p> <p>.00 ± .000 ± 0.000 ±</p> <p>MILLIMETERS</p> <p>0 ± 2 .0 ± 0.5 .00 ± 0.13 .000 ± 0.005</p>	<p>TITLE</p> <p>MINI STACK CONNECTOR INTERFACE UNIT 3STXX-C3AX-P00</p>	
<p>MAX SURFACE ROUGHNESS</p> <p>125</p> <p>ALL SURFACES</p> <p>MARKED ONLY</p>	<p>MODEL</p> <p>REV. NUMBER</p> <p>D 78-5100-2781-2</p>	<p>REV. A</p> <p>SHT 4 OF 5</p>	

3M™ MINI STACK CONNECTOR, INTERFACE UNIT
3STXX-C3AX-P00 SERIES

Technical Information: The technical information, recommendations and other statements contained in this document are based upon tests or experience that 3M believes are reliable, but the accuracy or completeness of such information is not guaranteed.

Product Use: Many factors beyond 3M's control and uniquely within user's control can affect the use and performance of a 3M product in a particular application. Given the variety of factors that can affect the use and performance of a determining whether it is fit for a particular purpose and suitable for user's method of application.

Warranty, Limited Remedy, and Disclaimer: Unless an additional warranty is specifically stated on the applicable 3M product packaging or product literature, 3M warrants that each 3M product meets the applicable 3M product specification at the time 3M ships the product. 3M MAKES NO OTHER WARRANTIES OR CONDITIONS, EXPRESS OR IMPLIED, INCLUDING, BUT NOT LIMITED TO, ANY IMPLIED WARRANTY OR CONDITION OF MERCHANTABILITY OR FITNESS FOR A PARTICULAR PURPOSE OR ANY IMPLIED WARRANTY OR CONDITION ARISING OUT OF A COURSE OF DEALING, CUSTOM OR USAGE OR TRADE. If the 3M product does not conform to this warranty, then the sole and exclusive remedy is, at 3M's option, replacement of the 3M product or refund of the purchase price.


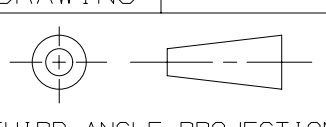

Limitation of Liability: Except where prohibited by law, 3M will not be liable for any loss or damage arising from the 3M product, whether direct, indirect, special, incidental or consequential, regardless of the legal theory asserted, including warranty, contract, negligence or strict liability.

3M company
Electronics Materials Solutions Division
13011 McCallen Pass, Bldg. C
Austin, TX 78753-5380
1-800-225-5373
www.3M.com/interconnect

3M ELECTRONICS MATERIALS SOLUTIONS DIVISION
INTERCONNECT SOLUTIONS
http://www.3M.com/interconnect
3M IS A TRADEMARK OF 3M COMPANY.
FOR TECHNICAL, SALES OR ORDERING
INFORMATION CALL 800-225-5373

3M contact in EU

3M Deutschland GmbH
Electronics Materials Solutions Division - Interconnect
Carl-Schurz-Str. 1
41453 Neuss
+49-2132-140

DO NOT SCALE DRAWING		SCALE FREE	TOLERANCES EXCEPT AS NOTED	 <small>3M Center St. Paul, MN 55144</small>	<small>© 3M COPYRIGHT 2023</small> This document and the information it contains are 3M property and may not be reproduced or further distributed without 3M permission, or used or disclosed other than for 3M authorized purposes. All rights reserved.
 THIRD ANGLE PROJECTION <small>INTERPRET PER ASME Y14.5-2018</small>		INCHES .00 ± .00 ± .000 ± .0000 ±	MILLIMETERS 0 ± 2 .0 ± 0.5 .00 ± 0.13 .000 ± 0.005		
MAX SURFACE ROUGHNESS 125  ALL SURFACES ✓ MARKED ONLY		ANGLES ±	TITLE MINI STACK CONNECTOR INTERFACE UNIT 3STXX-C3AX-P00	CAD NUMBER D78-5100-2781-2	DRAWING NO. 78-5100-2781-2
				MODEL D78-5100-2781-2	REV. A

78-5100-2781-2
DRAWING NUMBER

SHT 5 OF 5