



480:347:277 Series

Step-Down Autotransformers

for Lighting Applications

Rev 01-20-2021

Intelligent Device
ECOSYSTEM
Classic

Features

Step-down autotransformers designed especially for lighting applications, typically used with 277V LED Drivers, T-5 or T-8 Electronic Fluorescent Ballasts or Electronic HID Ballasts in Industrial and Commercial applications.

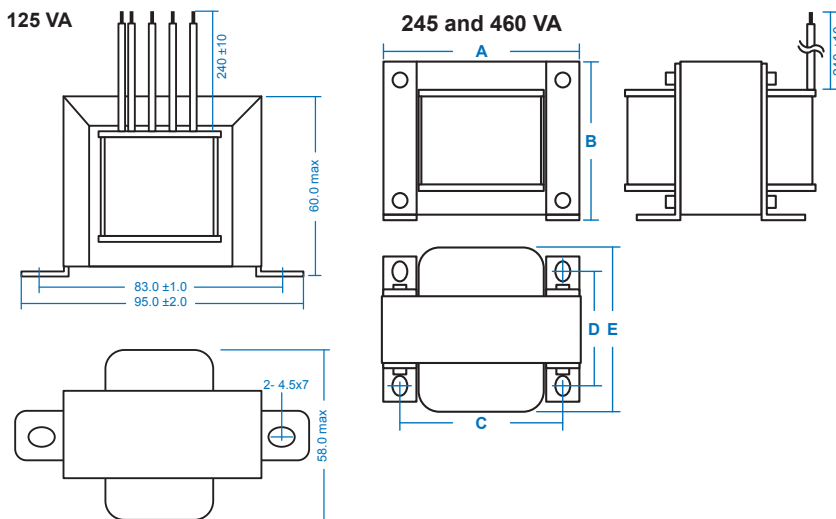
- Input Voltage: 480V, 60 Hz or 347V, 60 Hz
- Output Voltage: 277V, 60 Hz
- Insulation Rating: 125 & 460– 105°C, 245– 130°C
- Non-isolated Autotransformer
- 5 Year Warranty - Industry Leading



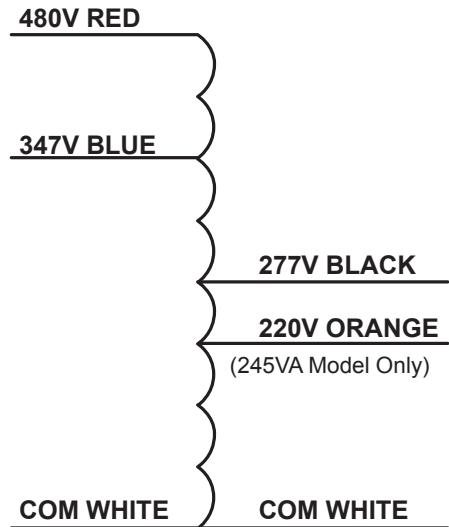
| Part | Model | Losses | Input Current Max Load | Input Current No Load | Weight (lbs) |
|----------|-----------------------|--------|---------------------------|--------------------------|-----------------|
| 93027322 | 480:347:277-125VA | 7W | 0.26A | 0.070A | 2.3 |
| 93023006 | 480:347:277-220-245VA | 10W | 0.57A | 0.080A | 5.3 |
| 93057036 | 480:347:277-460VA | 18W | 0.95A | 0.220A | 7.2 |

Dimensions

| Model | A (in) | B (in) | C (in) | D (in) | E (in) |
|-------|------------------------|-----------|-----------|-----------|-----------|
| 125VA | See drawing below (mm) | | | | |
| 245VA | 3.39 | 2.83 | 2.81 | 2.61 | 3.14 |
| 460VA | 3.78 | 3.23 | 3.19 | 2.95 | 3.31 |



Wiring



Wiring Notes:

- Wye 480V system—Connect red (or blue for 347V) and white wires to any two phase wires.
- Delta 480V—Connect to grounded referenced legs only.

