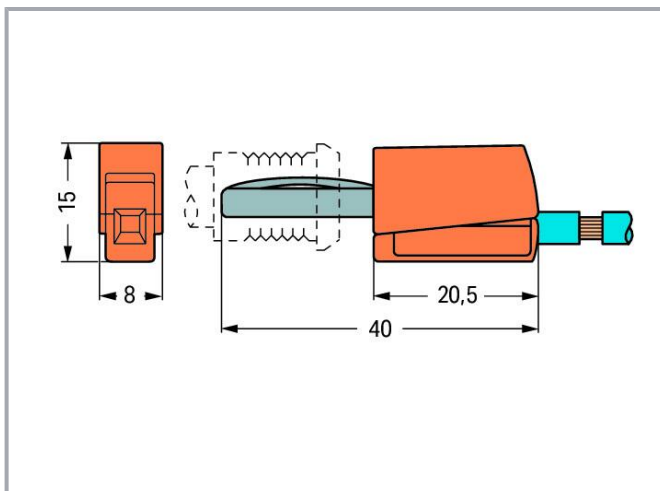


Data sheet | Item number: 215-212

Banana plug; for socket 4 mm Ø; 2,50 mm²; red

www.wago.com/215-212



Subject to changes. Please also observe the further product documentation!

WAGO GmbH & Co. KG
Hansastr. 27
32423 Minden
Phone: +49571 887-0 | Fax: +49571 887-169
Email: info.de@wago.com | Web: www.wago.com

Do you have any questions about our products?
We are always happy to take your call at +49 (571) 887-44222.



Data

Technical data

Main product function	Testing accessories
Total number of potentials	1

Electrical data

Rated current	20 A
Test voltage	42 V

Connection data

Connection technology	CAGE CLAMP®
Strip length	9 ... 11 mm / 0.35 ... 0.43 inches
Connection points	1
Solid conductor	0.08 ... 2.5 mm ² / 28 ... 14 AWG
Fine-stranded conductor	0.08 ... 2.5 mm ² / 28 ... 14 AWG

Physical data

Width	8 mm / 0.315 inches
Height	15 mm / 0.591 inches
Depth	40 mm / 1.575 inches

Material data

Color	red
Fire load	0.042 MJ
Weight	3.9 g

Commercial data

Product Group	2 (Terminal Block Accessories)
eCl@ss 10.0	27-44-03-13
eCl@ss 9.0	27-44-03-13
ETIM 8.0	EC002255
ETIM 7.0	EC002255
ECCN	NO DATA
PU (SPU)	50 pcs

Subject to changes. Please also observe the further product documentation!



Packaging type	box
Country of origin	DE
GTIN	4045454293482
Customs tariff number	85366990990

Environmental Product Compliance

CAS-No.	7439-92-1
REACH Candidate List Substance	Lead
RoHS Compliance Status	Compliant,With Exemption
RoHS Exemption	6(c)
SCIP notification number (Austria)	2539418b-58c0-4420-b110-a8f6ab77c7d3
SCIP notification number (Belgium)	40b91dd3-96ec-45e4-98a3-341b4f102193
SCIP notification number (Bulgaria)	2c7e6bcf-0e3a-4874-bd96-ca190e7a4a9e
SCIP notification number (Czech Republic)	6ae9ae04-5491-4be6-9408-287c5cac46ef
SCIP notification number (Denmark)	ee055b55-ddba-4b30-b59e-050f53013fbf
SCIP notification number (Finland)	b9f0e73b-b87a-4d38-9f60-07226fdca07c
SCIP notification number (France)	777cf7f1-adc1-488b-8b47-2ec5717e1dbc
SCIP notification number (Germany)	f86c9c1d-6b5b-4fcb-967f-87dfd241ff49
SCIP notification number (Hungary)	e64905c2-f29e-42da-ae87-c0d1394acf4c
SCIP notification number (Italy)	3deffdb3-7962-4859-bb7b-d7bfa4bf193c
SCIP notification number (Netherlands)	f5917138-401f-4204-8cee-f8469370655a
SCIP notification number (Poland)	8d29f775-0f15-49b0-9c59-e38ab34f044f
SCIP notification number (Romania)	1779a648-224f-4eb8-9cbf-7df1a926218b
SCIP notification number (Sweden)	62c7a902-eab2-4325-8850-9887794132d4

Downloads

Documentation

Bid Text

215-212 X81 - Datei	2019 年2月19日	xml 3.1 kB	Download
215-212 doc - Datei	2017 年9月19日	doc 25.1 kB	Download

CAD/CAE-Data

CAE data

Subject to changes. Please also observe the further product documentation!

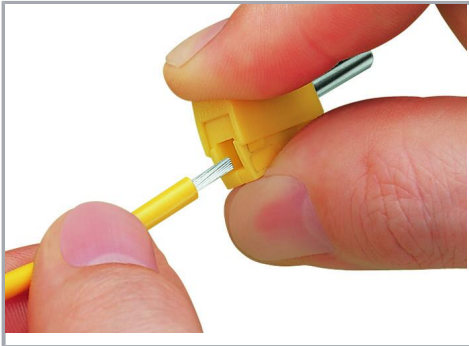
WAGO GmbH & Co. KG
Hansastr. 27
32423 Minden
Phone: +49571 887-0 | Fax: +49571 887-169
Email: info.de@wago.com | Web: www.wago.com

Do you have any questions about our products?
We are always happy to take your call at +49 (571) 887-44222.

EPLAN Data Portal 215-212	URL	Download
WSCAD Universe 215-212	URL	Download
CAD data		
2D/3D Models 215-212	URL	Download
Asset Administration Shell		
Asset Administration Shell 215-212	URL	Download
Environmental Product Compliance		
Compliance Search		
Environmental Product Compliance 215-212 Banana plug; for socket 4 mm Ø; 2,50 mm ² ; red	URL	Download

Installation Notes

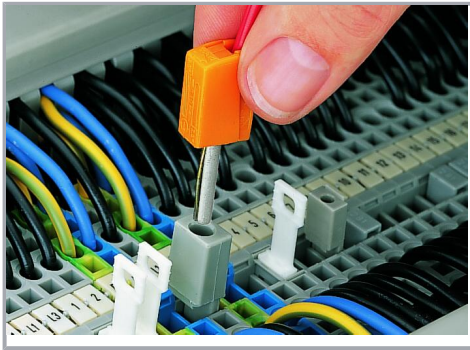
Conductor termination



Conductor termination: Press button fully, insert stripped conductor into square entry and release.

Testing

Subject to changes. Please also observe the further product documentation!



Testing via banana plug.

Picture shows a test plug adapter (Item No. 209-170).

Subject to changes. Please also observe the further product documentation!