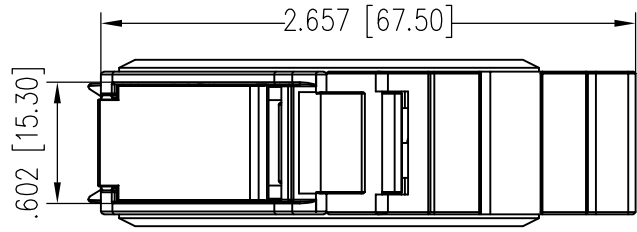
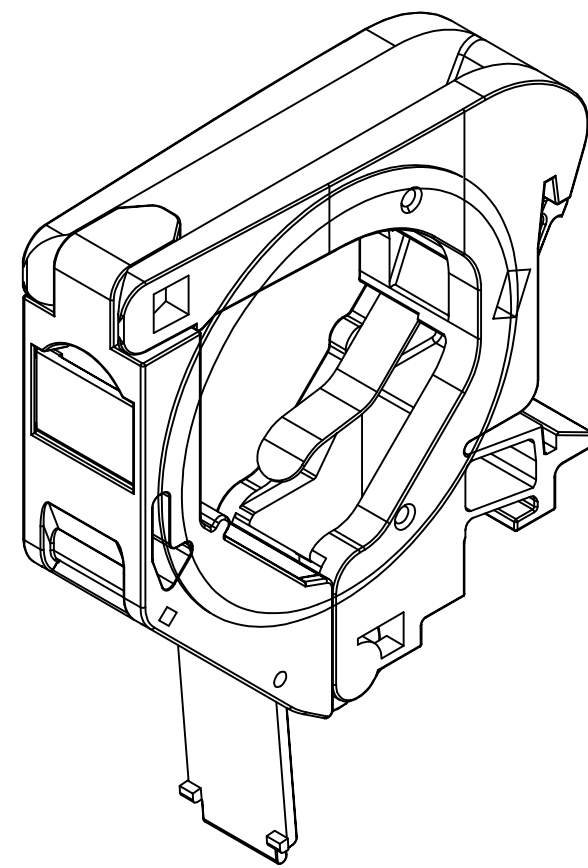
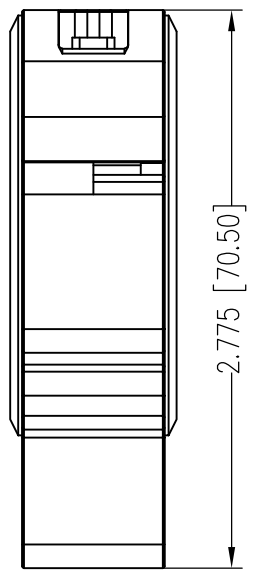
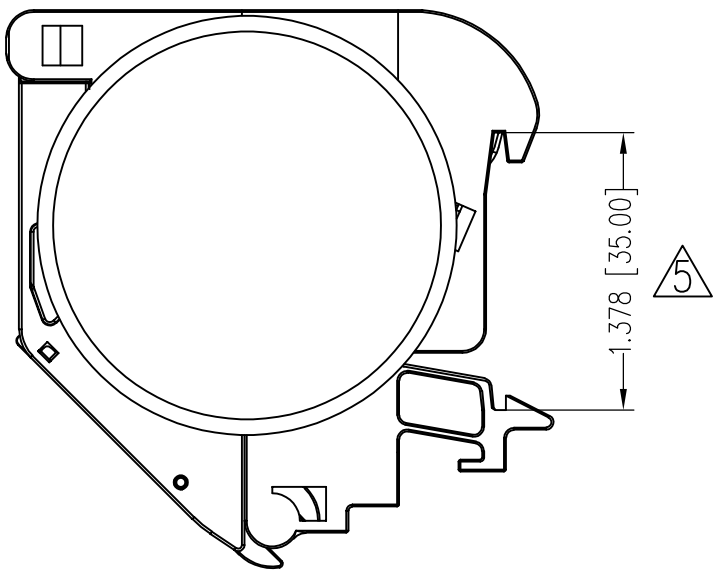
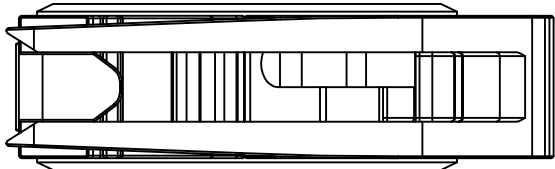
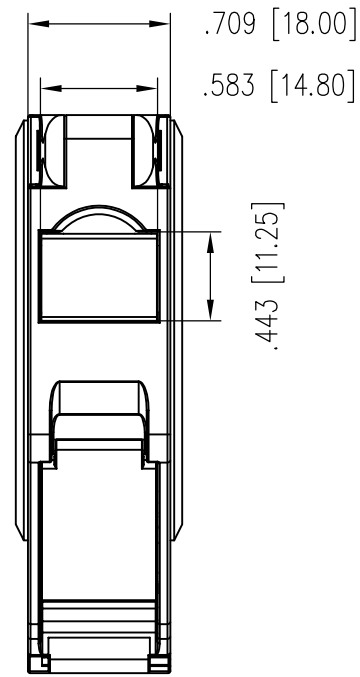


DATE	REV	ECN	APP'D. BY
07/02/20	A0	-	JME



- NOTES:
- CONNECTOR MATERIALS:
HOUSINGS: THERMOPLASTICS UL94 V-0
SPRING: STAINLESS STEEL
 - FOR INDUSTRIAL NETWORK APPLICATIONS
RECOMMENDED BEL JACKS
 - FITS MOST JACKS 17 MM WIDE OR LESS
 - FOR USE WITH STANDARD 35 MM WIDTH DIN RAILS

SS-82200-001
PART NUMBER

3	PART NUMBER	DESCRIPTION
1	SS-82000-005	MOD JACK KEYSTONE CAT 5E UNSHIELDED
2	SS-82100-005	MOD JACK KEYSTONE CAT 5E SHIELDED
3	SS-82010-002	MOD JACK KEYSTONE CAT 6 UNSHIELDED
4	SS-82110-002	MOD JACK KEYSTONE CAT 6 SHIELDED
5	SS-82120-001	MOD JACK KEYSTONE CAT 6A SHIELDED



THIRD ANGLE PROJECTION
DO NOT SCALE DRAWING DRAWING IS SUBJECT TO CHANGE WITHOUT NOTICE
DIMENSIONS: INCHES [METRIC]
UNLESS OTHERWISE SPECIFIED TOLERANCES ARE ±.005 [0.13] ANGLES ARE ± 1°
SHEET NO. 1 OF 1

<p>1118 Susquehanna Trail South Glen Rock, PA 17327-9199 (717) 235-7512 http://www.stewartconnector.com</p>	<p>TITLE: DIN RAIL MODULE (35 MM)</p>	
	<p>DRN BY: BTS</p>	<p>DATE: 07/02/20</p>
<p>APPD BY: JME</p>	<p>DATE: 07/02/20</p>	<p>REV: A0</p>
<p>DWG NO. CT820035</p>	<p> </p>	