



4K60 Videowall KVM Encoder/Decoder

Featured Highlights

- 4K60 (4:4:4) over IP JPEG2000, HDR10/Dolby Vision/HLG
- HDMI 2.0b, HDCP 2.2 compliant
- Up to Dolby TrueHD, Dolby Atmos and DTS-HD, DTS:X
- Supports USB KVM, two-way IR and RS-232
- Unicast, multicast, matrix, video wall up to 9x9
- Encoder built-in sub-stream for video preview on portable devices
- Supports button, IR, RS-232, TCP/IP, web GUI control
- Standard POE supported (802.3af PD device)
- 1G network switch with IGMP snooping and 8K jumbo supported
- Flexible audio routes control
- Optional built-in Dante® Ultimo module
- ARC and EARC versions, SPDIF audio return transmission
- Digital I/O and relay controls (JP4K6K only)
- Security management
- Matching decoder VLIP-JP4K6K-DC
- Works with IP controller box VLIP-JP1G-CTRL

SPECIFICATIONS

HDMI Compliance	HDMI 2.0b
HDCP Compliance	HDCP 2.2
Video Bandwidth	18Gbps
Video Compression Standard	JPEG2000
Video Network Bandwidth	1G
Video Resolution	Up to 4K@60Hz 4:4:4
Color Depth	Input: 8/10/12-bit Output: 8-bit
Color Space	RGB 4:4:4, YCbCr 4:4:4 / 4:2:2 / 4:2:0
HDMI Audio Formats	LPCM 2.0/5.1/7.1CH, Dolby Digital/Plus/EX, Dolby True HD, DTS, DTS-96/24, DTS-EX DSD, DTS High Res, DTS-HD Master
Transmission Distance	100M CAT5E/6/6A/7
IR Level	Default 12V, optional 5V
IR Frequency	Wideband 20K - 60KHZ
ESD Protection	Human body model — ±8kV (Air-gap discharge) & ±4kV (Contact discharge)
Housing	Metal enclosure
Color	Black
Dimensions	Encoder/Decoder: 204mm [W] x 136mm [D] x 25.5mm [H]
Weight	Encoder: 631g, Decoder: 626g
Power Supply	Input: AC100 - 240V 50/60Hz, Output: DC 12V/2.5A (US/EU standards, CE/FCC/UL certified)
Power Consumption	Encoder: 8.52W, Decoder: 7.08W (Max.)
Operating Temperature	32 - 104°F / 0 - 40°C
Storage Temperature	-4 - 140°F / -20 - 60°C
Relative Humidity	20 - 90% RH (Non-Condensation)

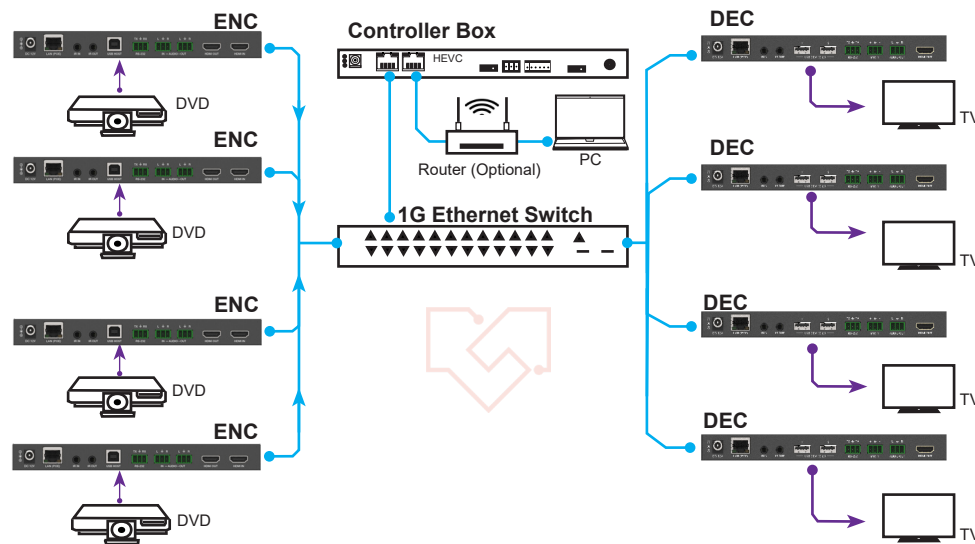
CONNECTIONS

Encoder	Input: 1 x HDMI IN [Type A, 19-pin female] 1 x L/R AUDIO IN [3-pin 3.81mm Phoenix connector] Output: 1 x HDMI OUT [Type A, 19-pin female] 1 x L/R AUDIO OUT [3-pin 3.81mm Phoenix connector] 1 x SPDIF OUT [Optical audio connector] Control: 1 x RS-232 [3-pin 3.81mm Phoenix connector] 1 x LAN (POE) [RJ45 jack] 1 x FIBER [Optical fiber slot] 1x USB 2.0 HOST [Type B, 4-pin female] 2 x USB 2.0 DEVICE [Type-A, 4-pin female] 2 x RELAYS [3.81mm Phoenix connector] 2x DIGITAL IO [3.81mm Phoenix connector] 1 x IR IN [3.5mm Audio Jack] 1 x IR OUT [3.5mm Audio Jack]
Decoder	Input: 1 x SPDIF IN [Optical audio connector] 1 x L/R AUDIO IN [3-pin 3.81mm Phoenix connector] Output: 1 x HDMI OUT [Type A, 19-pin female] 1 x L/R AUDIO OUT [3-pin 3.81mm Phoenix connector] Control: 1 x RS-232 [3.81mm Phoenix connector] 1 x LAN (POE) [RJ45 jack] 1x FIBER [Optical fiber slot] 2x USB 1.1 DEVICE [Type-A, 4-pin female] 2 x USB 2.0 DEVICE [Type-A, 4-pin female] 2 x RELAYS [3.81mm Phoenix connector] 2 x DIGITAL IO [3.81mm Phoenix connector] 1 x IR IN [3.5mm Audio Jack] 1 x IR OUT [3.5mm Audio Jack]

Resolution / Cable Length	4K60 - Feet / Meters	4K30 - Feet / Meters	1080P60 - Feet / Meters
HDMI IN / OUT	16ft / 5M	32ft / 10M	50ft / 15M

The use of "Premium High-Speed HDMI" cable is highly recommended.

Classic Application Example



Applications

Digital Signage, Conference Rooms, Operating Rooms and Audio-Video Rooms