

THIS COPY IS PROVIDED ON A RESTRICTED BASIS AND IS NOT TO BE USED IN ANY WAY DETRIMENTAL TO THE INTERESTS OF PANDUIT CORP.

11 FT
[3.358m]

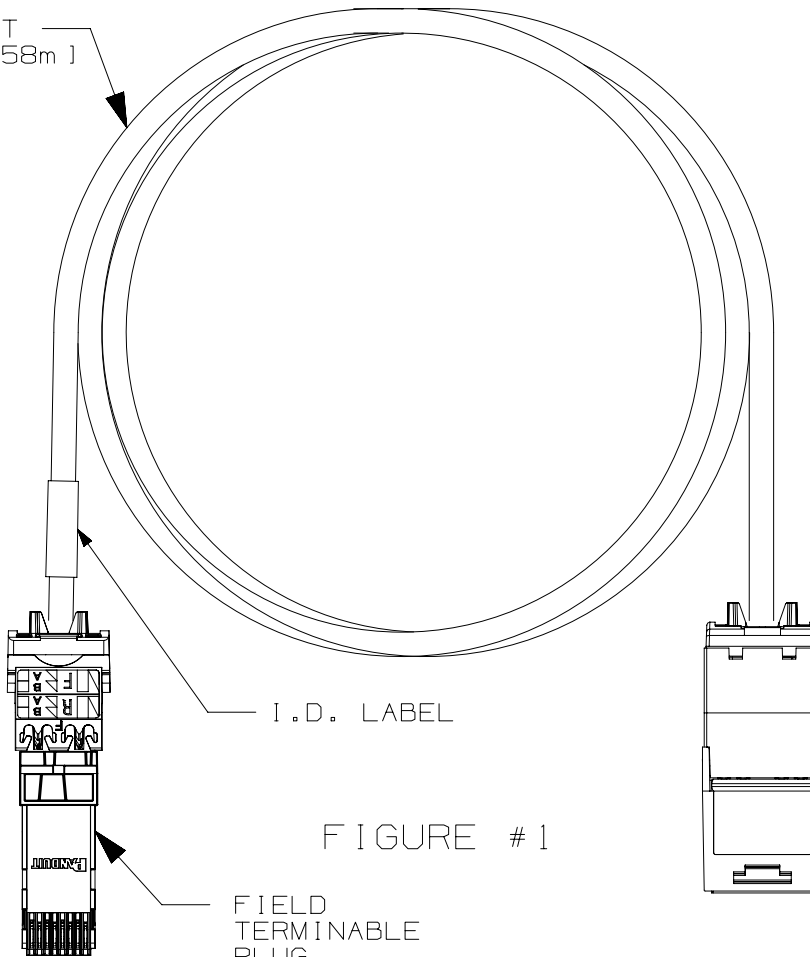


FIGURE #1

NOTES:

1. VISIT OUR ON-LINE CATALOG AT WWW.PANDUIT.COM FOR A LIST OF CURRENT PARTS APPLICABLE FOR USE WITH THIS PRODUCT.
2. DIMENSIONS IN [] ARE METRIC.
3. TERMINATED AT ONE END WITH RJ45 FIELD TERMINABLE PLUG AND AT THE OTHER END WITH CATEGORY 5E JACK.
4. CONSTRUCTED WITH 23AWG SOLID CATEGORY 6 UTP (CM) CABLE.
5. CABLE JACKET COLOR: BLACK.
6. MATERIALS:
PLUG: POLYCARBONATE
CONTACTS: GOLD PLATED PHOSPHOR BRONZE
JACK HOUSING: POLYCARBONATE
7. WEIGHT: 7.5LB/25 PCS (3402g/25 PCS)
8. ALL MATERIALS AND COMPONENTS USED MUST MEET THE MATERIALS RESTRICTION OF RoHS, (EUROPEAN DIRECTIVE 2011/65/EU ON THE RESTRICTION OF HAZARDOUS SUBSTANCES AS PROPOSED BY THE RoHS TECHNICAL ADAPTATION COMMITTEE.

PART NUMBER		MA030	
TITLE			
INTELLIGENT HANDLE PATCH CORD (RJ45 FEMALE TO RJ45 MALE)		CUSTOMER DRAWING	
ITEM REVISION NAME		00220EAM/01	
DATASET FILE NAME		00220EAM_DS02/01B	
		THIRD ANGLE PROJECTION	
MATERIAL		SEE NOTE 6	
DRAWING NUMBER		00220EAM-02	
DRAWN BY	DATE	CHK	SCALE
DFTR	4-28-20	KDA	NONE
SHEET 1 OF 1		A	

REV	DATE	BY	CHK	APR	DESCRIPTION	ECN
01B	2-12-21	BJN	KDA	DIJ	REVISED	00220EAM-02
01A	4-28-20	BJN	KDA	DIJ	RELEASED TO PRODUCTION	00220EAM-02



B

B

A

A

A-SIZE CUSTOMER