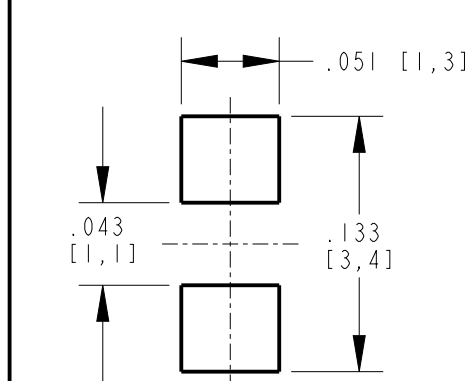
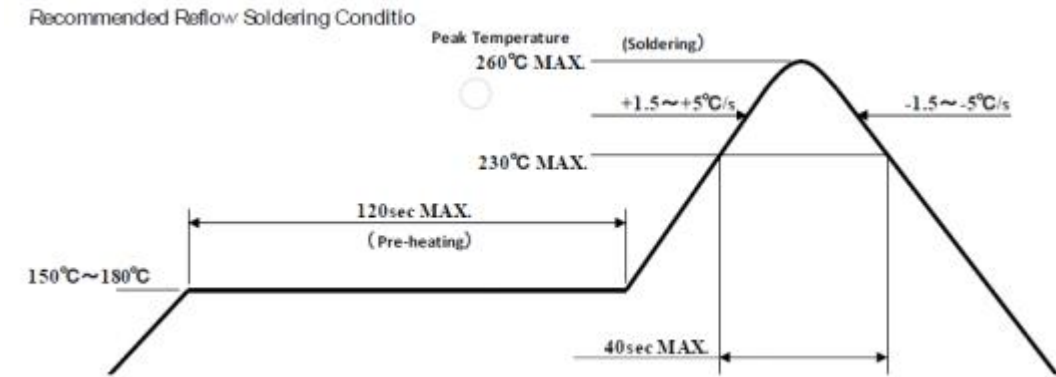
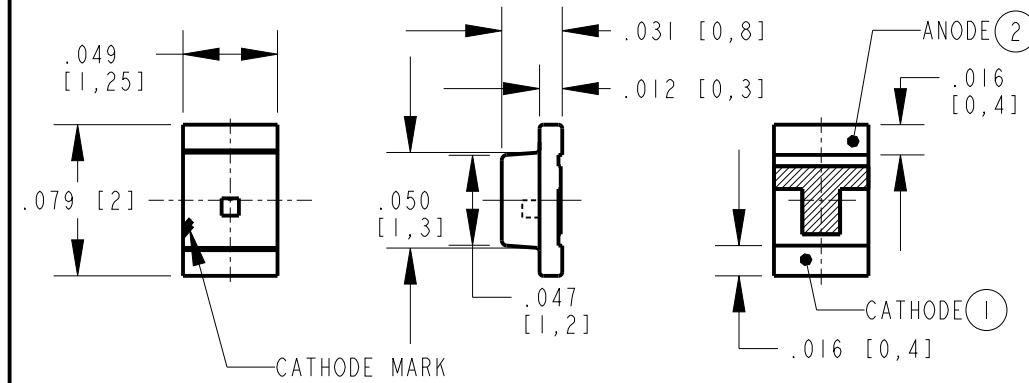


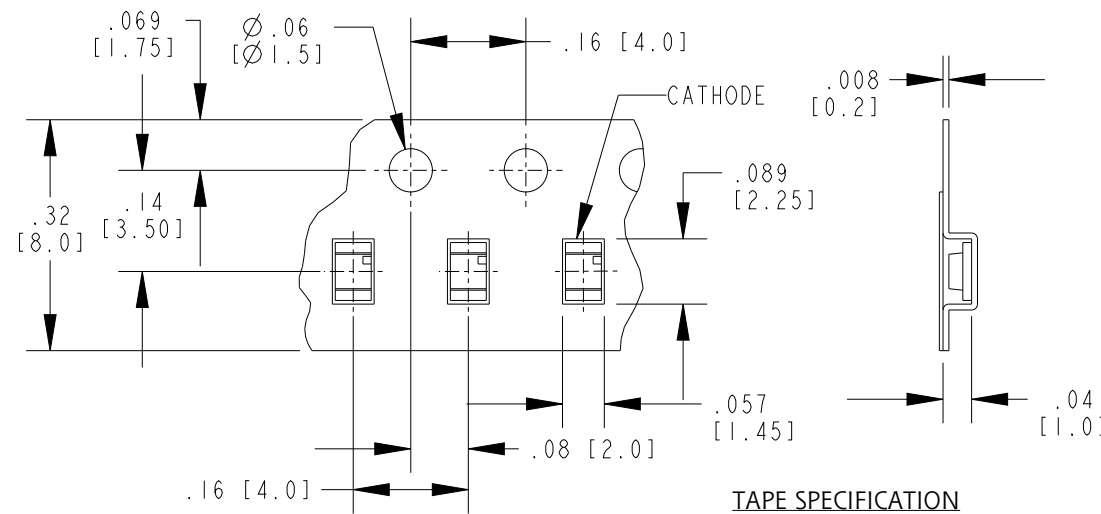
DIALIGHT P/N	LED CHIP MATERIAL	COLOR	EPOXY COLOR
597-5311-407NF	AlGaInP	GREEN	WHITE DIFFUSED
597-5311-402NF			
597-5411-407NF	AlGaInP	YELLOW-GREEN	
597-5411-402NF			

- NOTES:
- PIN NUMBERS ARE FOR REFERENCE ONLY, DESIGNATION NON-EXISTENT ON PART.
  - LABELING FOR REEL AND OUTSIDE OF ALUMINUM BAG, DIALIGHT P/N, QUANTITY PER REEL, DATE CODE, INTENSITY BIN CODE, LOT NUMBER AND COUNTRY OF ORIGIN.
  - THIS PRODUCT IS RoHS COMPLIANT. EACH BAG IS TO BE MARKED WITH RoHS COMPLIANT LABEL OR EQUIVALENT MARKINGS. LED MUST BE Pb FREE.
  - MOISTURE SENSITIVITY LEVEL 3.
  - QUANTITY : PART NUMBER END WITH 407NF REFER AS 4000 PCS/ REEL  
PART NUMBER END WITH 402NF REFER AS 20 PCS/ STRIP

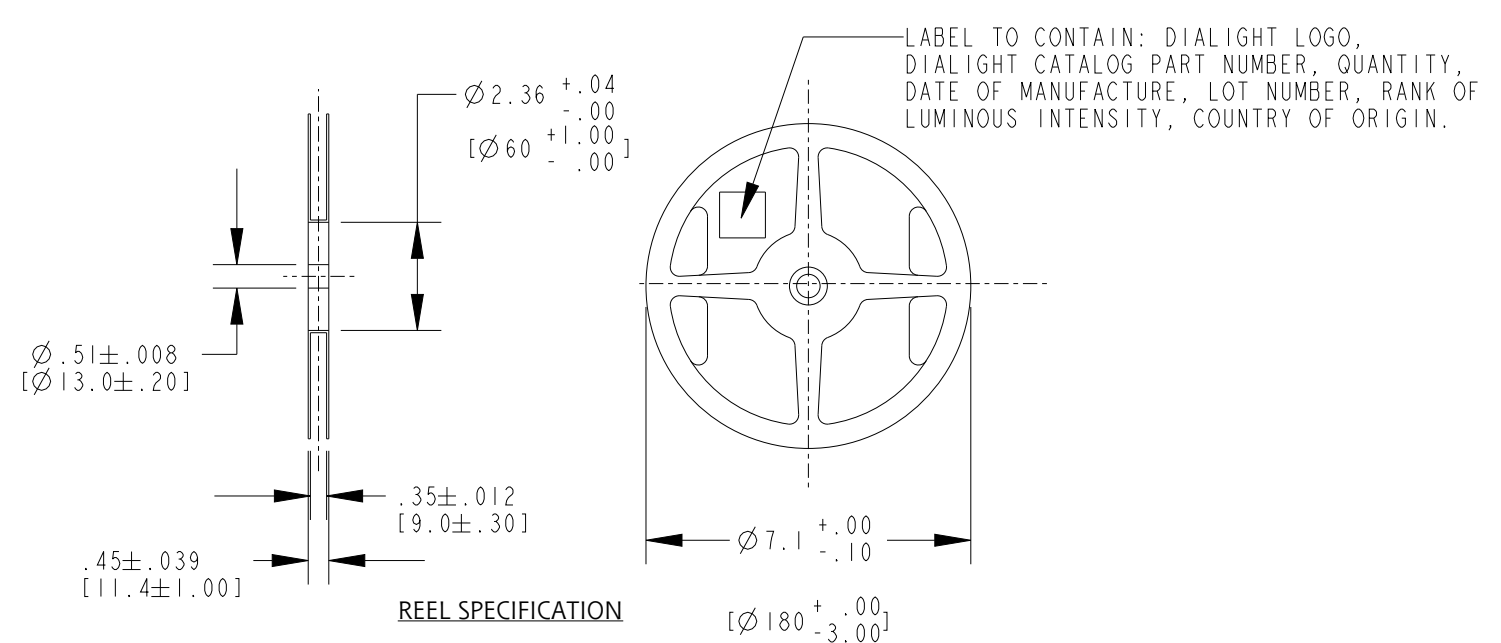
REV	ECN NO	REVISIONS	DRN	CKD	APP	DATE
A	107518	NEW RELEASE	JSG	CS	NO	07JUL23



RECOMMENDED PADLAYOUT



TAPE SPECIFICATION



REEL SPECIFICATION

LABEL TO CONTAIN: DIALIGHT LOGO, DIALIGHT CATALOG PART NUMBER, QUANTITY, DATE OF MANUFACTURE, LOT NUMBER, RANK OF LUMINOUS INTENSITY, COUNTRY OF ORIGIN.

ABSOLUTE MAXIMUM RATINGS AT 25°C							
LED COLOR	POWER DISSIPATION (mW)	FORWARD CURRENT (mA)	PEAK FORWARD CURRENT (mA)	OPERATING TEMPERATURE (°C)	STORAGE TEMPERATURE (°C)	DERATE LINEARLY FROM 75°C (mA/°C)	ELECTROSTATIC DISCHARGE "HBM" (V)
GREEN	78	30	100	-40°C TO +100°C	-40°C TO +105°C	1.00	1000
YELLOW-GREEN	78	30	(PULSE WIDTH 1ms, 1/20 DUTY)				

OPERATING CHARACTERISTICS AT 25°C AMBIENT													
LED COLOR	TEST CONDITION (mA)	LUMINOUS INTENSITY (mcd)			FORWARD VOLTAGE (V)		DOMINANT WAVELENGTH (nm)			REVERSE CURRENT @VR=5V (uA)	VIEWING ANGLE (DEGREES)	THERMAL RESISTANCE Rth(j-a) (°C/W)	JUNCTION TEMP. Tj (°C)
		TYP	MIN	TYP	MAX	TYP	MAX	MIN	TYP	MAX	MAX	TYP	TYP
GREEN	20mA	10	16	22	1.9	2.4	558	562	567	10	140	550	105
YELLOW-GREEN		33	43	56	1.9	2.4	570	572	576	100	140	550	105



**ATTENTION:**  
OBSERVE PRECAUTIONS FOR  
HANDLING ELECTROSTATIC  
SENSITIVE DEVICES

THIS DRAWING AND THE CONTENTS HEREIN ARE CONFIDENTIAL AND THE SOLE PROPERTY OF DIALIGHT CORP. REPRODUCTION OF THIS DRAWING OR CONSTRUCTION OF ANY PARTS WITHIN THIS DRAWING ARE FORBIDDEN WITHOUT THE WRITTEN CONSENT OF DIALIGHT CORP.		
DIALIGHT CORP. INTERNAL REFERENCE ONLY = 3D MODEL : 45005973XXX47NF- .1		
SCALE: 10.000	DRAWING NUMBER	REV
ALL DIM'S: INCH (mm)	C-18701	A
TOLERANCES: UNLESS OTHERWISE SPECIFIED	TITLE	
FRACTIONS: ±1/64	0805 SMD LED	
DECIMALS (.XX): ±.01	MATERIAL	
DECIMALS (.XXX): ±.005	-	
DECIMALS (.XXXX): ±.0005	FINISH	
ANGLES: ±1°	-	
FSCM 83330	Dialight	
	1501 ROUTE 34 SOUTH FARMINGDALE, NJ 07727 (732) 919-3119 www.dialight.com	
SHEET 1 OF 1	FAMILY TABLE:	