



## 655 SERIES 1/2" Snap-In Panel Mount Indicators

### MECHANICAL / SPECIFICATIONS

MOUNTING HOLE SIZE:  
0.50" (12.7 mm)

MAX PANEL THICKNESS:  
0.138" (3.5 mm) (Domed Lens);  
0.216" (5.5 mm) (Flat Lens)

VOLTAGE OPTIONS:  
12 & 24 VDC and 120 & 230 VAC  
(Flat Lens only), no resistor required

OPERATING TEMP:  
-20 °C to +85 °C (-4 °F to +185 °F)

STORAGE TEMP:  
-20 °C to +85 °C (-4 °F to +185 °F)

ELECTRICAL CONNECTION:  
250 Faston quick connect terminals  
(Flat Lens only) or wire leads

HOUSING:  
Polycarbonate

TERMINALS:  
Brass—Nickel Plated (Flat Lens only)

WIRE LEADS:  
18 AWG (Flat Lens),  
26 AWG (Domed Lens)

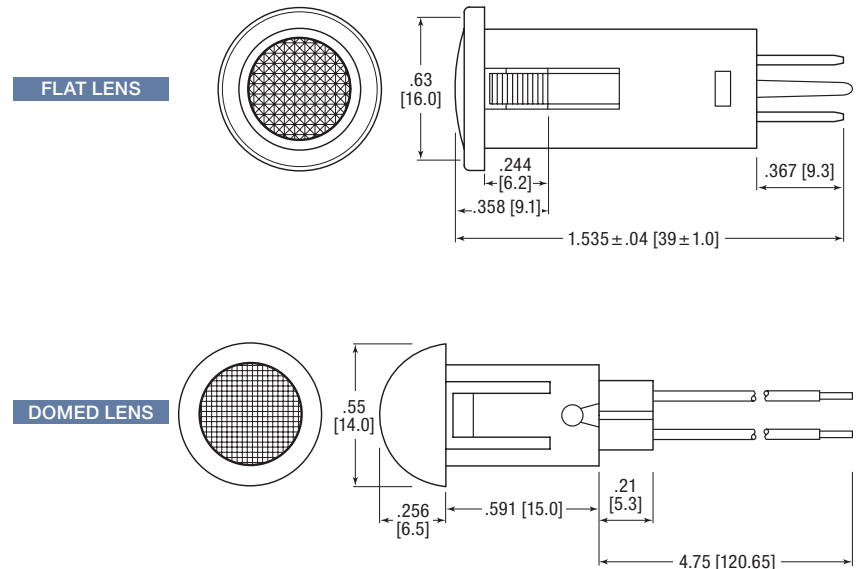
CERTIFICATIONS & RATINGS  
RoHS compliant

### APPLICATION

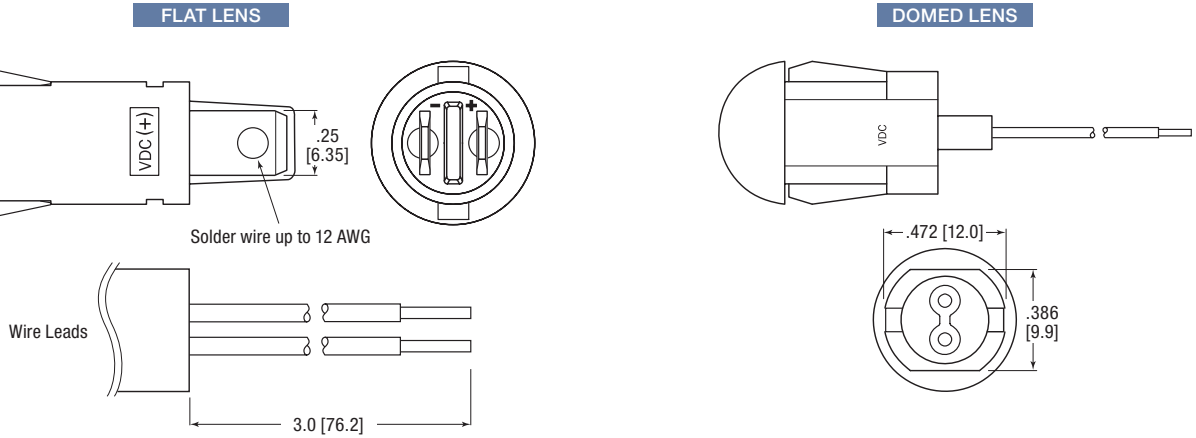
The 655 Series LED Panel Mount Indicators are designed for a variety of applications such as:

- Main power indication
- Remote power indication
- Status indication
- Maintenance and warning indication
- Instrumentation

### DIMENSIONS inches [mm]



DIMENSIONS inches [mm]



ORDERING INFORMATION

| Dialight P/N |                  | Color | Voltage (V DC) | Current (mA) | Typical Intensity (mcd) |
|--------------|------------------|-------|----------------|--------------|-------------------------|
| Wire Leads   | Solder Terminals |       |                |              |                         |

**Flat Lens**

|                               |                               |          |    |    |     |
|-------------------------------|-------------------------------|----------|----|----|-----|
| <a href="#">655-1103-103F</a> | <a href="#">655-1103-104F</a> | ● Red    | 12 | 20 | 270 |
| <a href="#">655-1203-103F</a> | <a href="#">655-1203-104F</a> | ● Green  |    |    | 700 |
| <a href="#">655-1303-103F</a> | <a href="#">655-1303-104F</a> | ● Yellow |    |    | 200 |
| <a href="#">655-1403-103F</a> | <a href="#">655-1403-104F</a> | ● Blue   |    |    | 100 |
| <a href="#">655-1104-103F</a> | <a href="#">655-1104-104F</a> | ● Red    | 24 |    | 270 |
| <a href="#">655-1204-103F</a> | <a href="#">655-1204-104F</a> | ● Green  |    |    | 700 |
| <a href="#">655-1304-103F</a> | <a href="#">655-1304-104F</a> | ● Yellow |    |    | 200 |
| <a href="#">655-1404-103F</a> | <a href="#">655-1404-104F</a> | ● Blue   |    |    | 100 |

**Domed Lens**

|                               |    |          |    |    |      |
|-------------------------------|----|----------|----|----|------|
| <a href="#">655-2103-103F</a> | NA | ● Red    | 12 | 20 | 3000 |
| <a href="#">655-2203-103F</a> | NA | ● Green  |    |    | 2500 |
| <a href="#">655-2303-103F</a> | NA | ● Yellow |    |    | 1500 |
| <a href="#">655-2403-103F</a> | NA | ● Blue   |    |    | 700  |
| <a href="#">655-2104-103F</a> | NA | ● Red    | 24 |    | 3000 |
| <a href="#">655-2204-103F</a> | NA | ● Green  |    |    | 2500 |
| <a href="#">655-2304-103F</a> | NA | ● Yellow |    |    | 1500 |
| <a href="#">655-2404-103F</a> | NA | ● Blue   |    |    | 700  |



Dialight reserves the right to make changes at any time in order to supply the best product possible. The most current version of this document will always be available at: [www.dialightsignalsandcomponents.com](http://www.dialightsignalsandcomponents.com)

Warranty Statement: Except for the warranty expressly provided for at: [www.dialight.com/resources/warranties/](http://www.dialight.com/resources/warranties/), Dialight disclaims any and all other warranties, express or implied, including, without limitation, any warranties of merchantability, fitness for a particular purpose, title, and noninfringement.