

Low Voltage Wall Switches INSTALLATION INSTRUCTIONS

PRECAUTIONS

- CAUTION: FOR USE WITH CLASS 2, LOW VOLTAGE SYSTEMS ONLY. DO NOT USE IN HIGH VOLTAGE APPLICATIONS.
- Read and understand all instructions before beginning installation.
- NOTICE: For installation by a licensed electrician in accordance with National and/or local Electrical Codes, the instructions of the system to be interfaced with, and the following instructions.
- NOTICE: For indoor use only.
- CAUTION: USE COPPER CONDUCTOR ONLY.
- Confirm device ratings are suitable for application prior to installation. Use of device in applications beyond its specified ratings or in applications other than its intended use may cause an unsafe condition and will void manufacturer's warranty.
- NOTICE: Do not install if any damage to product is noticed.

SPECIFICATIONS

- Electrical Ratings:
 - Each switch: 100mA @ 30VDC Max
 - Each pilot LED: 18 – 30VDC, internal 2.2kohm, ½ Watt resistor
- 1, 2, 3 and 4 button versions available with or without pilot LEDs
- Available in either latching (sustained) or momentary versions
- Accepts standard decorator style wall plate (Not Included)
- Available in White or Ivory
- Fits standard single gang wall box
- Two-year warranty

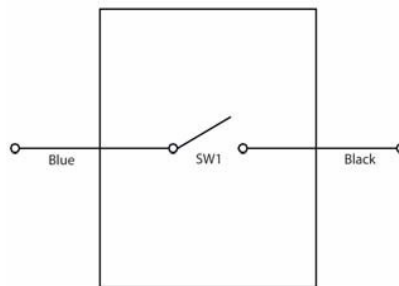
DESCRIPTION

The LVS Series of Low Voltage Wall Switches are designed to provide a user interface and control of systems operating on Class 2, low voltage circuitry. With a configuration that fits standard, single gang wall boxes and an architecturally pleasing appearance, these devices provide a solution for applications where low voltage interface capabilities are required.

INSTALLATION

1. Prepare the installation site, as necessary, to install the LVS Wall Switch.
2. Route 18 AWG, Class 2 cable with a quantity of conductors sufficient for the version of LVS Wall Switch being used from the wall switch location to the system control device. Maximum lead length must not exceed 750 feet. Note: Low voltage wiring must be isolated from line voltage wiring. Consult National and Local Electrical Codes for conduit requirements.
3. Wire the LVS Wall Switch to the control device according to the instructions of the device and the appropriate Wiring Diagram below. Note: Wiring Diagrams can also be found at www.hubbellcontrolsolutions.com.
4. Install the LVS Wall Switch into the wall box using the mounting screws provided. For LVS Wall Switches with multiple buttons, note proper “up” orientation as shown on the product label. Install decorator style wall plate (not included).
5. Perform system setup and/or programming activities as applicable in accordance with the instructions of the system control device.
6. Verify switch functionality by pressing the LVS Wall Switch button(s) and confirm proper system response.

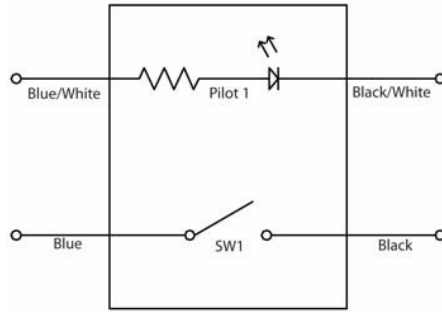
WIRING DIAGRAMS



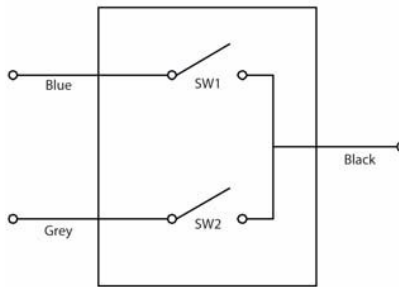
Wiring Diagram A – LVS 1-Button Latching or Momentary Switch, No Pilot

72-00405 D

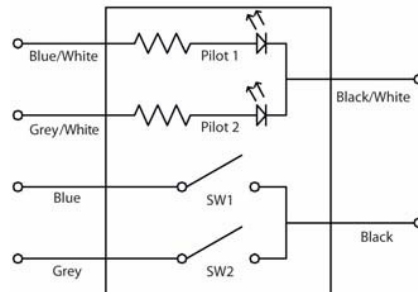
Low Voltage Wall Switches INSTALLATION INSTRUCTIONS



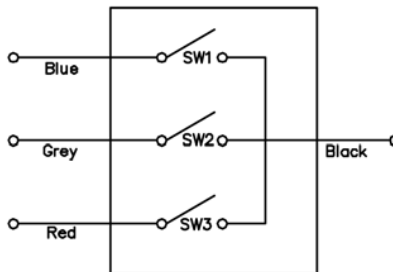
Wiring Diagram B – LVS 1-Button Latching or Momentary Switch, with Pilot LED*



Wiring Diagram C – LVS 2-Button Latching or Momentary Switch, No Pilot



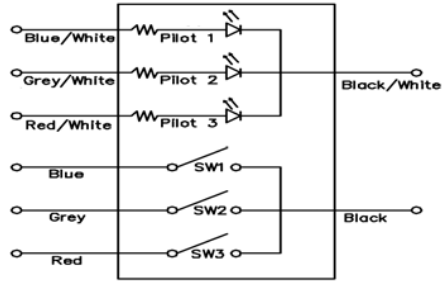
Wiring Diagram D – LVS 2-Button Latching or Momentary Switch, with Pilot LEDs*



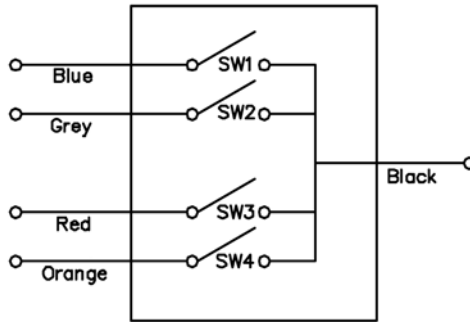
Wiring Diagram E – LVS 3-Button Latching or Momentary Switch, No Pilot

72-00405 D

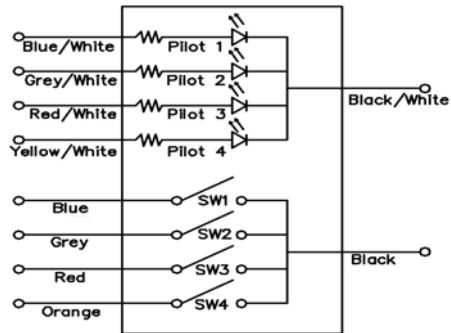
Low Voltage Wall Switches INSTALLATION INSTRUCTIONS



Wiring Diagram F – LVS 3-Button Latching or Momentary Switch, with Pilot LEDs*



Wiring Diagram G – LVS 4-Button Latching or Momentary Switch, No Pilot



Wiring Diagram H – LVS 4-Button Latching or Momentary Switch, with Pilot LEDs*

*Note Pilot Polarity Marks

72-00405 D