

Key Features & Benefits:

- PIR Occupancy and Photocell Control
- Works with LHB, ERHB or RHB Series Fixtures
- Fully Adjustable High and Low Dimmed Light Levels
- Provides On/Off Switching
- 0–10V Dimming Control
- Programmable via Remote Control
- Adjustable Hold Time and Stand-by Time
- Set Hold Time from 10 Seconds to 60 Minutes

Project: _____

Date: _____

Catalog #: _____

Notes: _____

Technical Specifications:

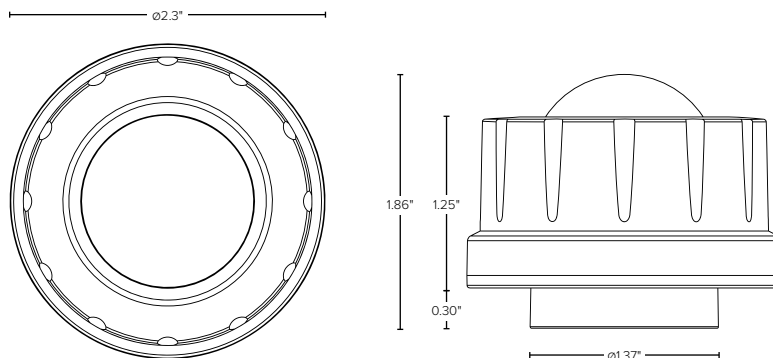
Power Supply: 12–24VDC
 Dimming Control Output: 0–10V Max, 25mA Sinking Current
 Detection Radius/Angle: 26ft/360°
 Mounting Height: 40ft Max
 Remote Range: up to 50ft, indoor, no backlight
 Humidity: Max 95% RH
 Temperature: -4°F to 140°F (-20°C to 70°C)



Catalog Data:

ITEM#	COLOR	DESCRIPTION
ESL-6OCC	WHITE	360° lens, maximum coverage of 48' in diameter. From 8' to 20' in height
ESL-REM-100	BLACK	Remote control for 6OCC

Dimensions

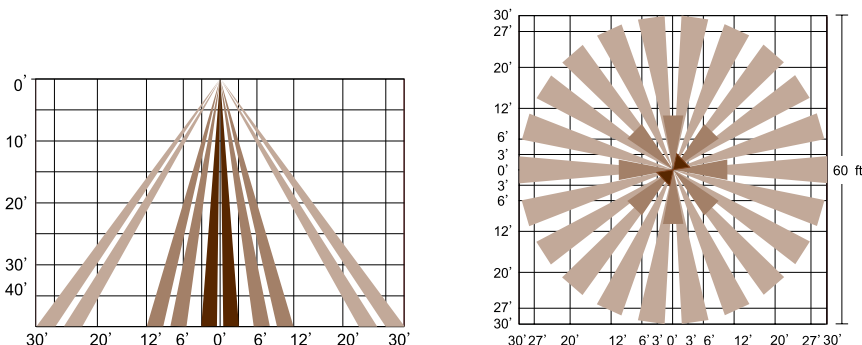


ESL-REM-100*

*ESL-REM-100 Sold Separately

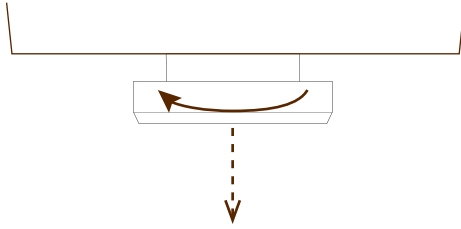


Coverage

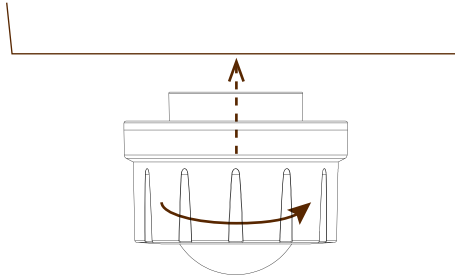


Installation

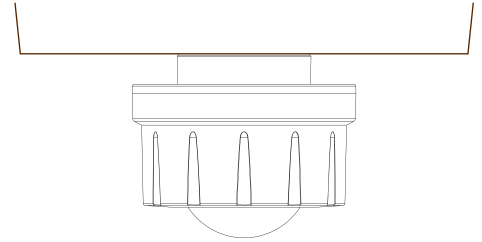
The **ESL-6OCC** is easily installed with a simple twist lock.



1 Remove the shorting cap from the fixture by turning counter-clockwise to unlock.



2 Plug in the sensor and twist clockwise to lock in place.



3 Program the desired settings using the **REM-100** Infrared Remote.

Simple Remote Programming

The **ESL-REM-100 INFRARED REMOTE** is used to program the **ESL-6OCC**. (sold separately)



LED Indicators

BRIGHTNESS – select a level to determine the maximum lumen level at full power.

SENSITIVITY – determines how reactive the sensor will be to movement. Range and sensitivity will vary based upon the sensor installed.

HOLD TIME – the duration that the light will remain on without detecting movement before dimming or turning off.

DAYLIGHT SENSOR – uses the photocell to adjust the LED output in conjunction with the ambient light to provide consistent lighting regardless of environmental changes. Select the **EYE** (☞) to use a value based on the current ambient light. The numbered values correspond the footcandle conversions listed below. The **SUN** (☀) disables the photocell and will run the programmed settings regardless of ambient lighting.

STAND-BY – DIM will determine the maximum lumens to be used when there is no activity detected. A setting of 0% will keep the light from dimming.

TIME will determine how long the light will remain at the dimming level before shutting off completely. Setting the time to (∞) will make the light remain on.

DEFAULT SETTINGS

Brightness: 100%
Sensitivity: 100%
Hold Time: 15min
Photocell: OFF
Stand-by Dim: 30%
Stand-by Time: ∞ always on

Button Operation

ON/OFF (ON/OFF) – disables the sensor for a constant on or off position. To enable the sensor, press **AUTO**.

AUTO (AUTO) – press to start the sensor with the previously used settings. This must be used to utilize the sensor's capabilities.

RESET (RESET) – return to the default settings.

TEST (TEST) – select sensitivity thresholds and press and then hold for two seconds. This will disable the standby time and daylight sensor in order to check the other settings. To exit, press **AUTO**.

ARROWS (ARROWS) – use to make selections on the LED selectors. Press **OK** to keep the displayed selections.

OK (OK) – use to register selections or to clear selections when changing or viewing **MODES**

DISPLAY (DISP) – show the last settings that were uploaded to the sensor or the current selections on the remote's LED indicators.

SEND (SEND) – upload and activate the current selections. The light will turn on and off to confirm. Changing the remote settings will not change the sensor settings without pressing **SEND**.

MODES (MODE) – save preset parameters by using the **MODE** buttons.

TO SET:

Press **MODE** button on remote. LED indicators will display the current settings. Use arrows to change each parameter. Press **OK** to save the settings to the selected **MODE**. To activate the settings, aim remote at sensor and press **SEND**.

SMART PHOTOCELL SENSOR (☞) – off by default. When enabled, the light will be controlled by the photocell only, and the occupancy settings will be disabled. If the ambient light is less than the minimum threshold, the light will remain on, even if there is no activity. If the ambient light is more than the maximum threshold, the light will remain off, even if there is activity in the space.

TO SET:

Either press **DISP** or select a **MODE** to program. Use the **ARROWS** to select each setting. Set **STAND-BY TIME** to (+∞). Press . By default, the **DAYLIGHT SENSOR** will highlight 10 and 300, with a **DIM** setting of 10%. Select the minimum threshold (10, 30 or 50) and the maximum threshold (100, 300 or 500). Change **DIM** level to desired percentage. Press **SEND**.