

REVISIONS

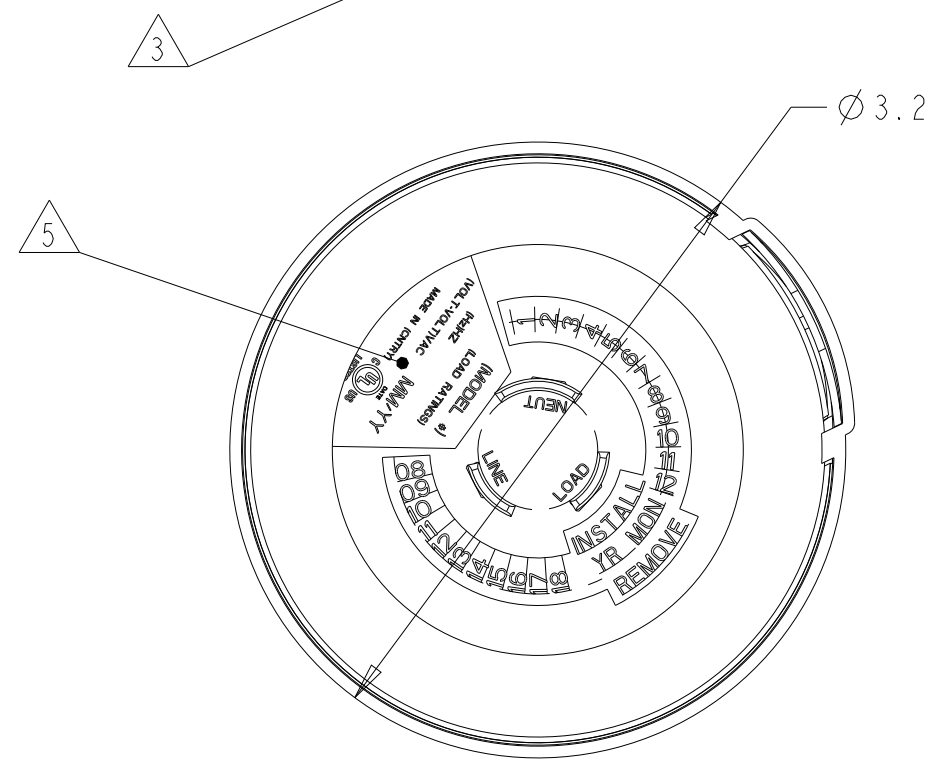
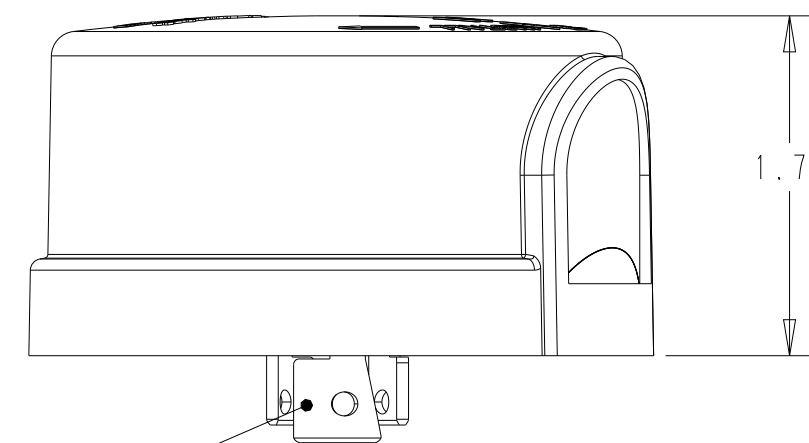
| P | LTR | DESCRIPTION | DATE | DWN | APVD |
|---|-----|--------------------------|-------------|-----|------|
| 1 | | INITIAL DRAWING CREATION | 31 JAN 2022 | JPS | MM |
| 2 | | ADD P/N, ADD UL INFO | 13 FEB 2023 | MM | MM |
| A | | ECR-23-167377 | 24 FEB 2023 | RK | MM |

ELECTRICAL CHARACTERISTICS

| | |
|--|--|
| INPUT VOLTAGE RANGE | SEE TABLE |
| INPUT FREQUENCY | 50/60 Hz NOMINAL SOURCES |
| LOAD RATINGS | INCANDESCENT LAMP: 1000W MAGNETIC BALLAST: 1800VA ELECTRONIC: 2A |
| SURGE PROTECTION | SEE TABLE |
| OPERATING LIGHT LEVELS | SEE TABLE |
| TIME DELAY ON/OFF | INSTANT ON, 2-5 SECOND DELAY OFF |
| ON/OFF RATIO | 1.5:1 |
| LIGHT SENSOR | SEE TABLE FOR PHOTOTRANSISTOR |
| FAIL MODE | ON |
| ANSI C136.10 DESIGN LIFE CLASSIFICATION | STANDARD |
| UL-773 LISTING CSA22.2 No.182.2 LISTING | UL FILE E66375, SEE TABLE |

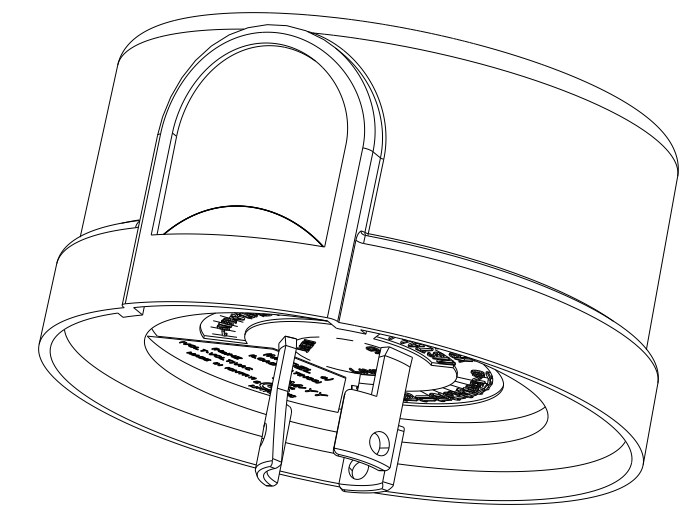
ENVIRONMENTAL CHARACTERISTICS

| | |
|-----------------------|--|
| OPERATING TEMPERATURE | -40°C TO +65°C |
| RELATIVE HUMIDITY | OPERATING: 15% TO 96%, NON-CONDENSING ENVIRONMENT. |



NOTES:

- 1 MATERIALS:
HOUSING: PBT, COLOR: BLACK
COVER: PP, COLOR: SEE TABLE
WINDOW: PC, COLOR: CLEAR TRANSPARENT
CONTACTS (QTY. 3): COPPER ALLOY
GASKET: PE CLOSED CELL FOAM, COLOR: BLACK
- 2 FINISH:
LINE VOLTAGE CONTACTS: NONE
- 3 MATING INTERFACE PER ANSI C136.10-2017.
- 4. MUST COMPLY WITH DIRECTIVE 2002/95/EC (ROHS)
- 5 PRODUCT INFORMATION LABEL



| | | | | | | | |
|----------------|-------------|---------------------|-----------------|-----------------------------|-----------------------------|---------------------|------------|
| - | YELLOW | 1.5 Fc | NON-IR FILTERED | 480 JOULES, 15kA, 20mm MOV | 120/208/240/277 | ALR-7090-VPS-YL | 2449938-1 |
| - | MAROON | 1.5 Fc | NON-IR FILTERED | 480 JOULES, 15kA, 20mm MOV | 208/240/277 | ALR-7072-VPS-MR-BOX | 2403842-1 |
| YES | BLUE | 1.5 Fc | IR FILTERED | 1025 JOULES, 20kA, 25mm MOV | 120/208/240/277 | ALR-7090-HFS | 2401413-2 |
| YES | BLUE | 1.5 Fc | IR FILTERED | 800 JOULES, 20kA, 25mm MOV | 120/208/240/277 | ALR-7090-MFS | 2401413-1 |
| - | BLACK | 2.6 Fc | IR FILTERED | 480 JOULES, 15kA, 20mm MOV | 120/208/240/277 | ALR-7090-VF3-BK | CS8870-001 |
| - | BLUE | 1.5 Fc | IR FILTERED | 480 JOULES, 15kA, 20mm MOV | 120/208/240/277 | ALR-7090-VFS | 4Z9454-000 |
| - | BROWN | 1.5 Fc | NON-IR FILTERED | 480 JOULES, 15kA, 20mm MOV | 120/208/240/277 | ALR-7090-VPS-BR | FR626C-000 |
| - | BLACK | 1.5 Fc | NON-IR FILTERED | 480 JOULES, 15kA, 20mm MOV | 120/208/240/277 | ALR-7090-VPS-BK | 21244H-000 |
| - | BLUE | 1.5 Fc | NON-IR FILTERED | 480 JOULES, 15kA, 20mm MOV | 120/208/240/277 | ALR-7090-VPS | L2134Z-000 |
| - | BLACK | 1.5 Fc | NON-IR FILTERED | 480 JOULES, 15kA, 20mm MOV | 120 | ALR-7060-VPS-BK | EN1865-000 |
| - | GRAY | 1.5 Fc | NON-IR FILTERED | 480 JOULES, 15kA, 20mm MOV | 120 | ALR-7060-VPS | HK379T-000 |
| - | GRAY | 1.5 Fc | IR FILTERED | 480 JOULES, 15kA, 20mm MOV | 120 | ALR-7060-VFS | KY712J-000 |
| - | GRAY | 1.0 Fc | IR FILTERED | 480 JOULES, 15kA, 20mm MOV | 120 | ALR-7060-VF1 | K7946V-000 |
| UL, CSA LISTED | COVER COLOR | TURN-ON LIGHT LEVEL | LIGHT SENSOR | SURGE RATING | NOMINAL INPUT VOLTAGE (VAC) | MODEL # | TE P/N |

THIS DRAWING IS A CONTROLLED DOCUMENT.

DIMENSIONS: INCH

TOLERANCES UNLESS OTHERWISE SPECIFIED:

| | |
|--------|------|
| 0 PLC | ±.1 |
| 1 PLC | ±.03 |
| 2 PLC | ±.03 |
| 3 PLC | ±. |
| 4 PLC | ±. |
| ANGLES | ±. |
| FINISH | ±. |

MATERIAL



DWN M. MOSTOLLER 14OCT2021
 CHK J. SCHOLZ 14OCT2021
 APVD J. SCHOLZ 14OCT2021

STE TE Connectivity

NAME ALR-7000 SERIES
TWIST LOCK PHOTOCELL

SIZE A2 CAGE CODE 00779 DRAWING NO. ALR-7000_SERIES

RESTRICTED TO

CUSTOMER DRAWING SCALE 1:1 SHEET 1 OF 1 REV A