

1 2 3 4 5 6

A

B

C

D

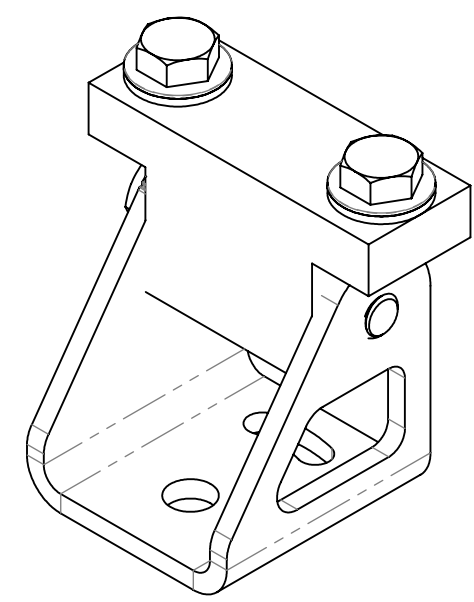
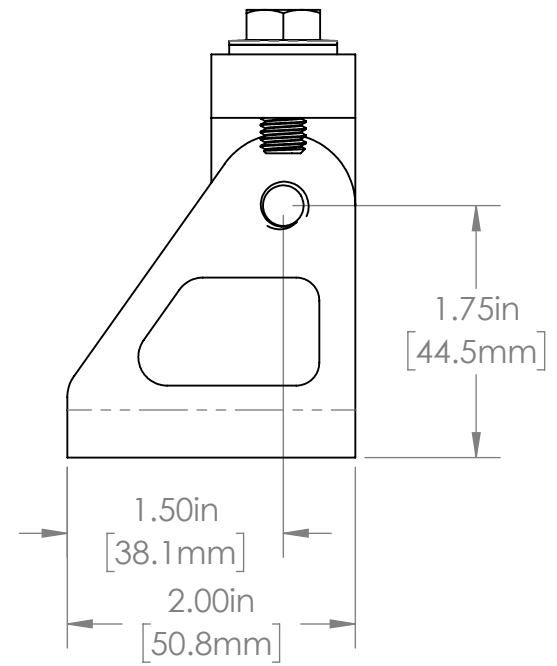
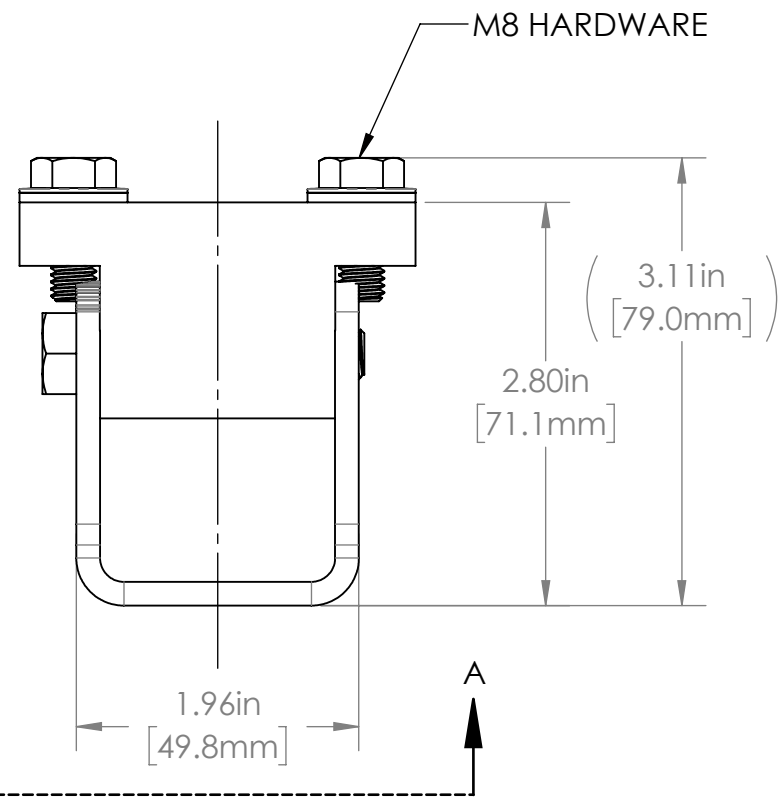
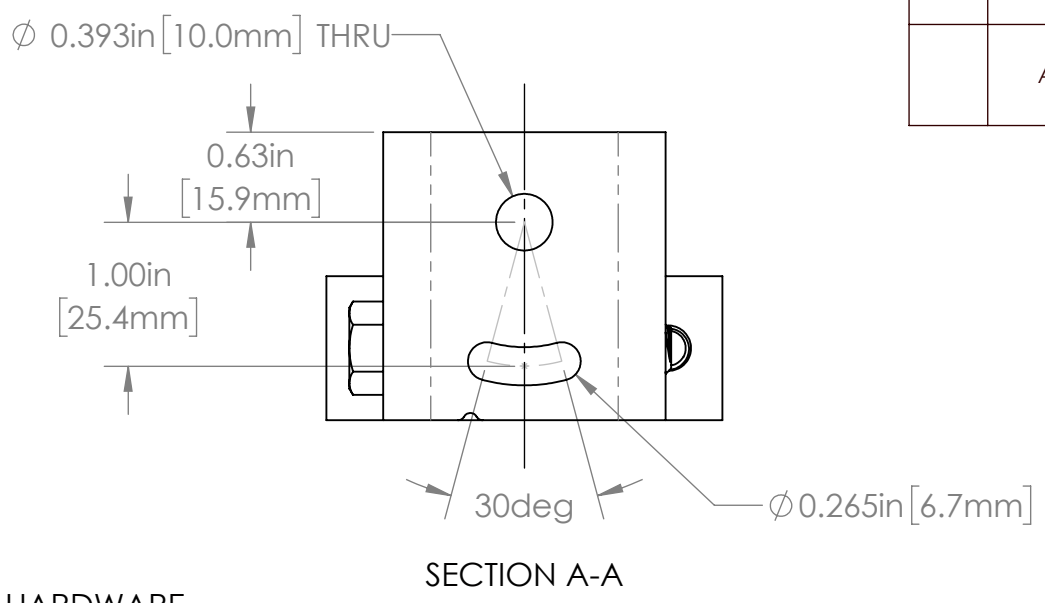
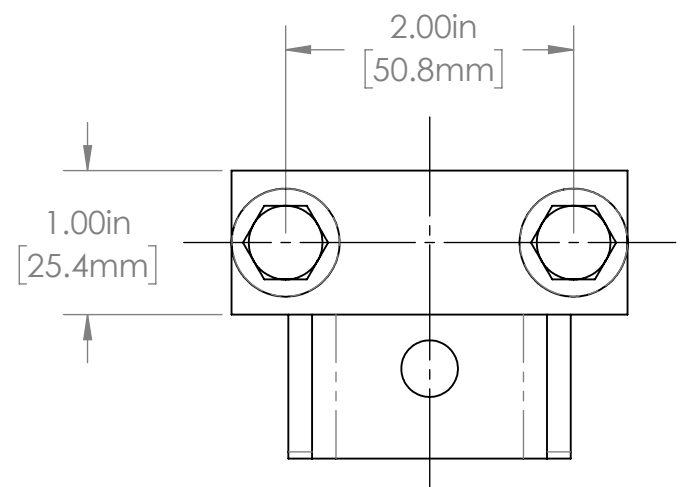
A

B

C

D

REVISIONS				
ZONE	REV.	DESCRIPTION	DATE	APPROVED
	A	REDRAWN RELEASED FOR PRODUCTION	8/25/2021	DMM



TOLERANCES UNLESS OTHERWISE SPECIFIED

MACHINING		SHEET METAL	
X.X	0.0250"	HOLE TO HOLE (SAME SURFACE)	
X.XX	0.0100"	X.X	0.030"
X.XXX	0.0050"	X.XX	0.010"
X.XXXX	0.0005"	X.XXX	0.005"
ANGULAR	0.5°	HOLE TO FOLDED EDGE	
DEBURR ALL		X.X	0.035"
		X.XX	0.025"
		X.XXX	0.015"
		FOLD TO FOLD	
		X.X	0.045"
		X.XX	0.035"
		X.XXX	0.020"
		ANGULAR 1.0°	

THIS PRINT IS THE PROPERTY OF APG VISION LLC. THE INFORMATION CONTAINED HEREIN IS CONFIDENTIAL. IT IS NOT TRANSFERABLE. IT IS FURNISHED WITH THE CLEAR UNDERSTANDING THAT IT IS NOT TO BE TRACED, REPRODUCED OR USED IN ANY PROCESS OF MANUFACTURING WITHOUT WRITTEN PERMISSION FROM THE OWNER AND IS RETURNABLE UPON DEMAND. ANY INFRINGEMENT UPON THE PATENT RIGHTS SHOWN HEREIN, WHETHER IN PART OR WHOLE, WILL BE PROSECUTED.

AS PART OF OUR POLICY OF CONTINUING DEVELOPMENT, APG VISION LLC RESERVES THE RIGHT TO ALTER SPECIFICATIONS WITHOUT PRIOR NOTICE.

APG Vision LLC
4055 Alpha Drive
Allison Park, PA 15101 USA
Phone +1 (412) 487-8211
apgvision.com



DESCRIPTION:
38S PAN & TILT ASSEMBLY

MATERIAL: **SEE BOM**

FINISH: **SEE BOM**

DRAWN BY: **DMM** DATE: **8/25/2021** SCALE: **3:4** SHT-SIZE: **B** APPROX. WEIGHT (LBS): **1.3257**

CHECKED BY: **DMM** DATE: **8/25/2021** PART NUMBER: **38S-PT1** REVISION: **A**

38S SERIES PROPERTIES TABLE

COMPONENT	MATERIAL	FINISH
BASE/ADAPTER	316 STAINLESS STEEL	BURNISHED
HARDWARE	316 STAINLESS STEEL	NONE

1 2 3 4 5 6