

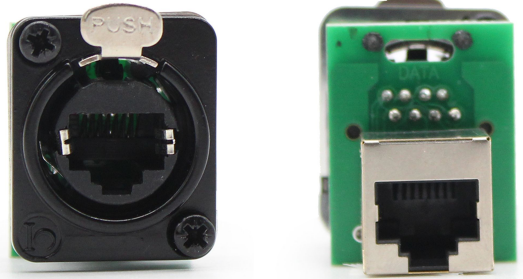


AUDIO  
TECHNOLOGIES®

## ETHERLATCH CHASSIS CONNECTORS

### JL SERIES

IO-EL8-F-BK-JL-P



### SPECIFICATIONS

#### PRODUCT

Gender: **Female**

Contacts: **8**

#### ELECTRICAL

Contact Resistance: **< 10 mΩ**

Frequency Range: **1 - 100MHz**

Insulation Resistance: **≥ 500 MΩ**

Dielectric Strength: **1000V @ 60s**

Current Rating Per Contact: **1.5A**

Rated Voltage: **50 V**

Transmission Performance: **CAT 5e**

#### ENVIRONMENTAL

Standard Compliance: **TIA/EIA 586B, IEC 11801**

UL Flammability Rating: **UL94 V-0**

Temperature Range: **-30°C ~ +80° C (-22°F ~ +176°F)**

#### MECHANICAL

Lifetime: **> 1000 Mating Cycles**

Insertion Force: **≤ 20 N**

Wiring: **Passthrough RJ45**

Locking Device: **Latch Lock**

Mounting Direction: **Front**

#### MATERIAL

Pins: **Bronze**

Pin Plating: **Gold**

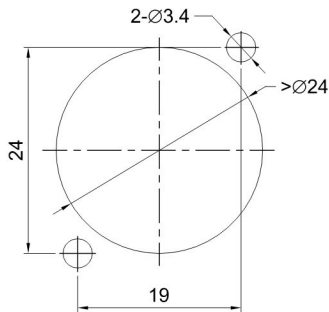
Insulation: **PBTP 15% GR**

Shell: **Zinc Alloy**

Shell Finish: **Black**

Product specifications may change without prior notification

## Panel Cutout



## FEATURES & APPLICATIONS

JL Series Etherlatch chassis connectors offer a sleek and robust connection in a standard "J" Size shell. This series is perfect for high-noise environments like permanent installations or design-in applications where a Passthrough design is preferred. The connectors have nickel plated die cast zinc housing which allows for great RF protection. They have precision machined, one piece, gold plated contacts and are available in either black or nickel housing. The JL Series Etherlatch chassis connectors help prevent local RF interference from assisted listening, WiFi, and other radio transmitters close to the connectors. When coupled with quality shielded cables, a robust system for preventing the intrusion of unwanted noises is created.

### PART NUMBER BREAKDOWN

IO-**EL**8-F-BK-JL-P

Connector Type

IO-EL**8**-F-BK-JL-P

Number of Pins

IO-EL8-F-**F**-BK-JL-P

Gender

IO-EL8-F-**BK**-JL-P

BK = Black Housing

(Blank) = Nickel Housing

IO-EL8-F-BK-**JL**-P

Series Identifier

IO-EL8-F-BK-JL-**P**

Straight Passthrough Termination

### STANDARDS & CLASSIFICATIONS



Product specifications may change without prior notification