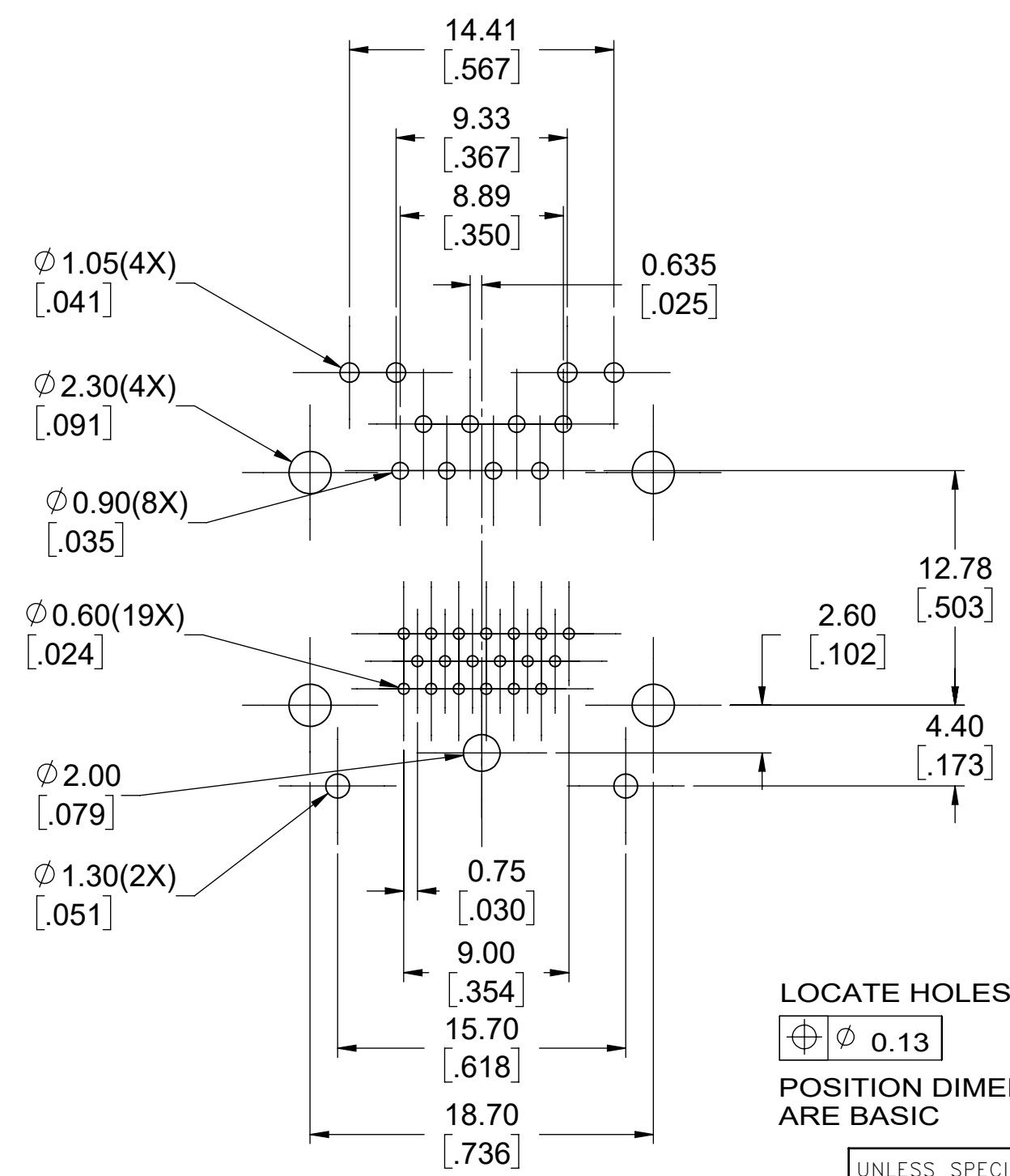
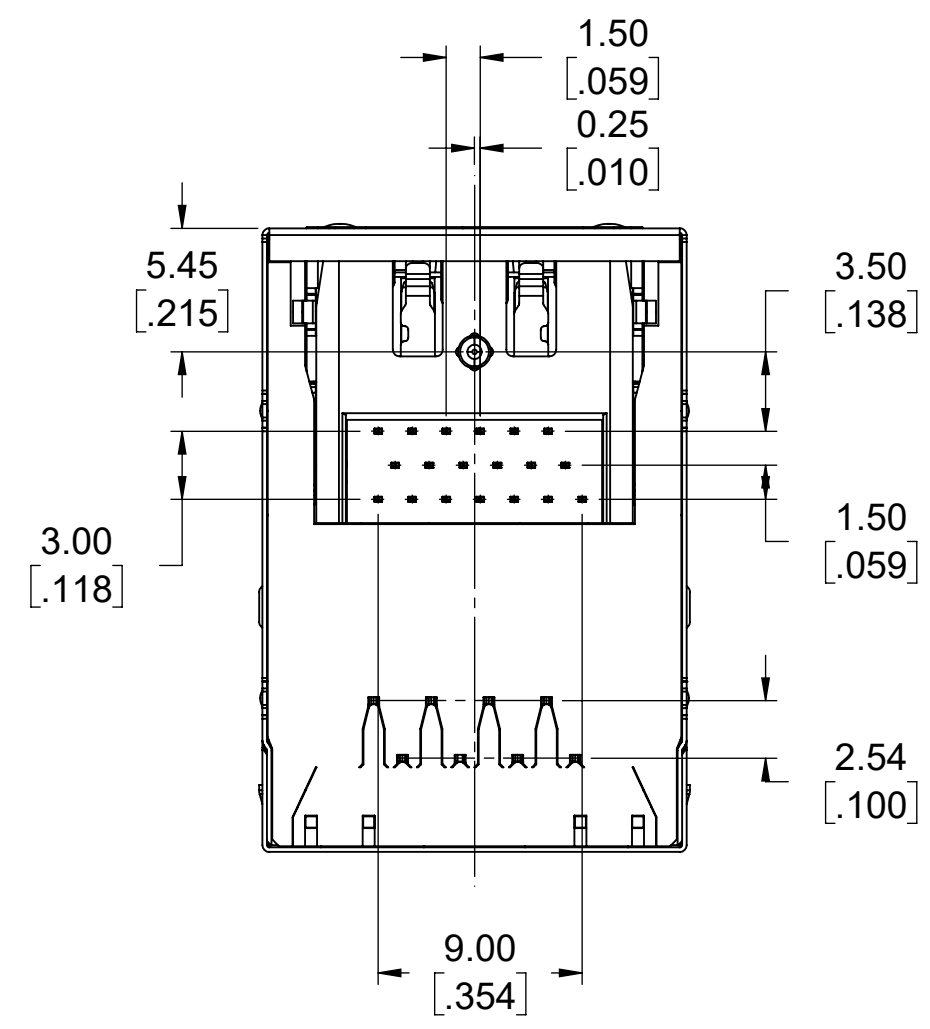
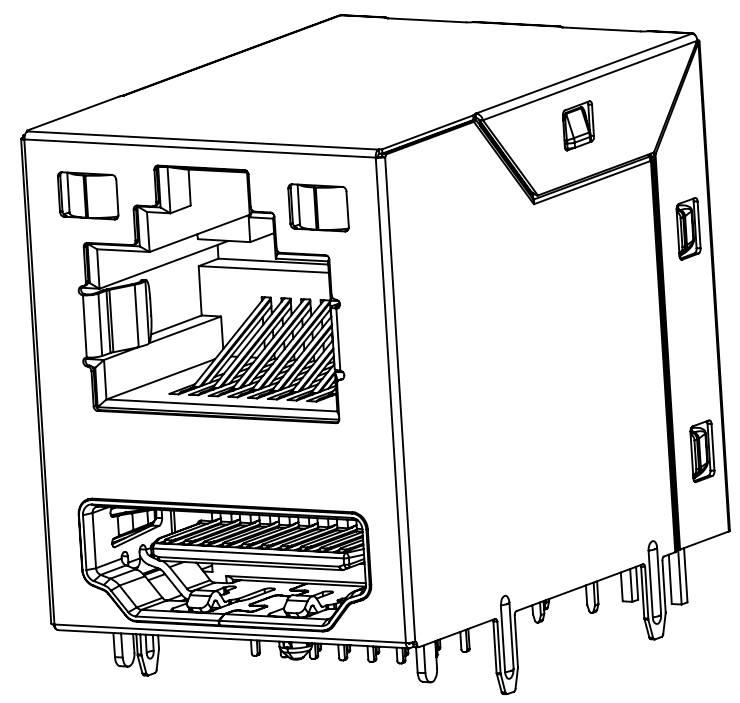
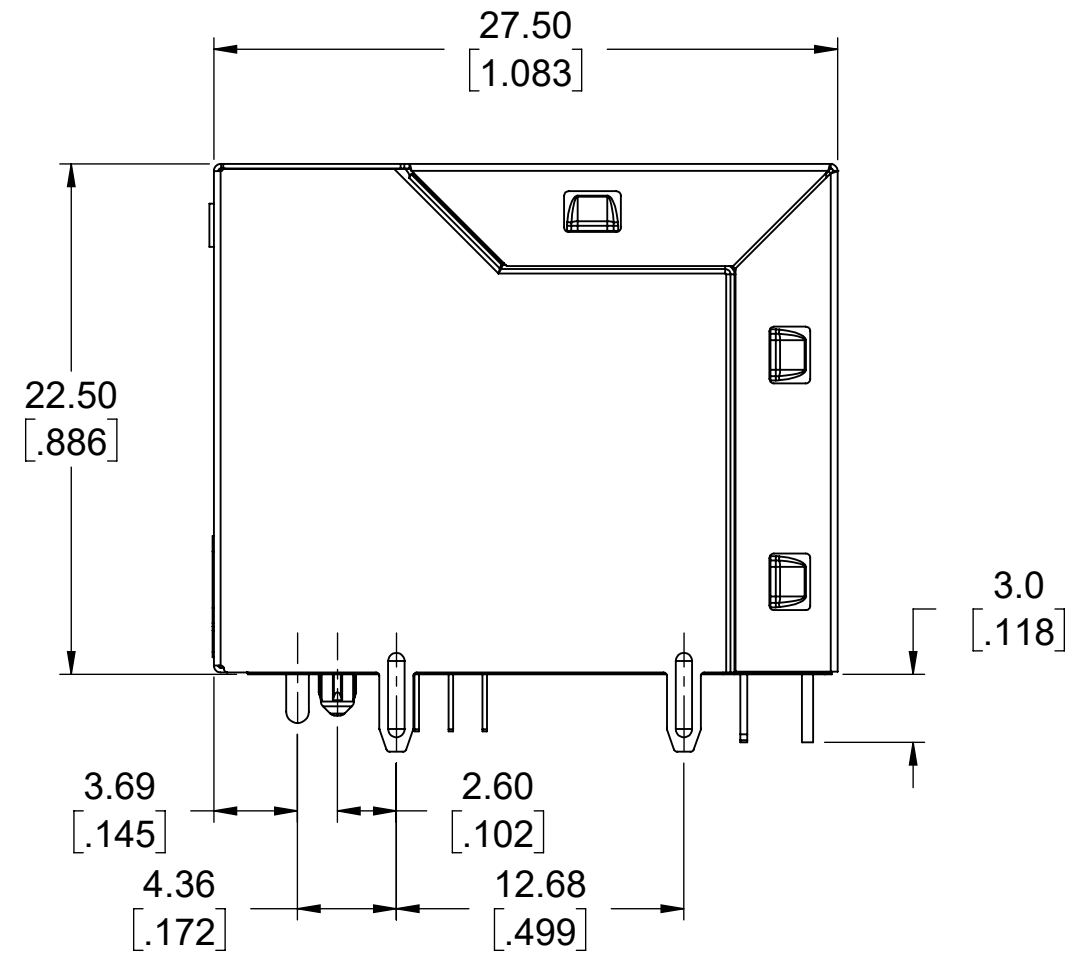
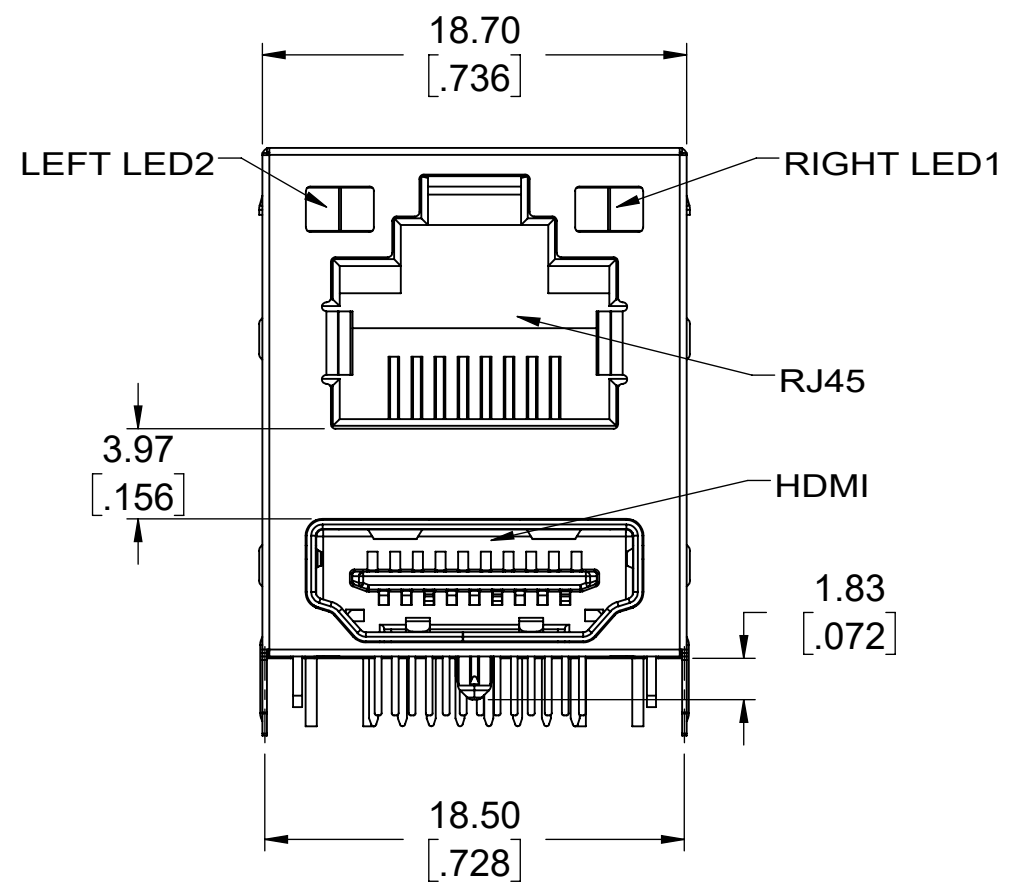


REVISIONS			
REV	DESCRIPTION, ECN, EAR NO.	DATE	APP'D
A	INITIAL RELEASE	APR20,23	K.TANG



NOTES:
 1. MATERIALS:
 PLASTIC HOUSING: ENGINEERING THERMOPLASTIC
 FLAMMABILITY RATING UL 94V-0, COLOUR:BLACK.
 CONTACTS: PHOSPHOR BRONZE
 PLATING: SELECTIVE GOLD PLATING ON MATING SURFACES
 SEE ORDERING NUMBER FOR DETAIL.
 50 μ " [1.27 MICRONS] MIN. NICKEL UNDERPLATE
 100 μ " [2.54 MICRONS] MIN. TIN OR GOLD FLASH ON CONTACT TAILS.
 SHIELD: COPPER ALLOY PLATED WITH NICKEL.
 2. RECOMMENDED SOLDERING TEMPERATURE:
 WAVE SOLDERING AT 260°C MAXIMUM FOR 5-8 SECONDS.
 ORDERING NUMBER: RJE36-188-2XXH

GOLD PLATING THICKNESS OPTIONS
 1 = 0.15 μ m (6 μ "")
 2 = 0.38 μ m (15 μ "")
 3 = 0.76 μ m (30 μ "")
 4 = 1.27 μ m (50 μ "")

LED OPTIONS ON NEXT PAGE

CONNECTORS Q'TY PER ONE TRAY	TRAYS PER ONE CARTON	CONNECTORS Q'TY PER ONE FULL CARTON
50 PCS	10	500 PCS

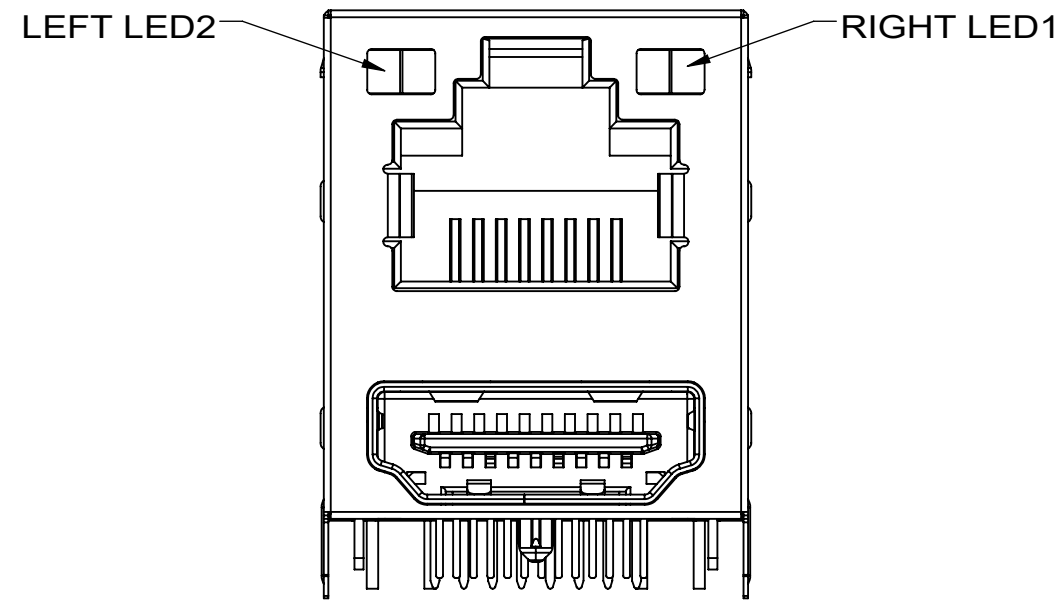


RECOMMENDED P.C.B. LAYOUT (COMPONENT SIDE OF BOARD) TOLERANCE: +/-0.05[.002]

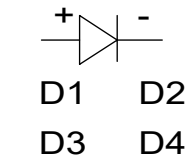
UNLESS SPECIFIED OTHERWISE	DRAWN K.TANG	APR20.2023
PRIMARY UNITS MILLIMETERS	CHECKED	
SECONDARY	M.E. APP'D	
REFERENCE IN PARENTHESES	Q.A. APP'D	
GENERAL TOLERANCES	DWG APPR.	
1 DECIMAL PLACE ±0.50	ENG. REL. NO.	
2 DECIMAL PLACES ±0.38	REF.	
3 DECIMAL PLACES ±0.25	THIRD ANGLE PROJECTION	DO NOT SCALE DRAWING
ANGULAR DEGREES ±1.0°		

Amphenol Canada Corp.
 Commercial Products
 RJ45 OVER HDMI, 8P8C, WITH LED, SHIELDED WITHOUT EMI TABS - RoHS COMPLIANT
 DWG. NO. P-RJE36-188-2XXH
 CODE ID NO. 03554 DWG SIZE: X SCALE: 3:1 SHEET 1 OF 2

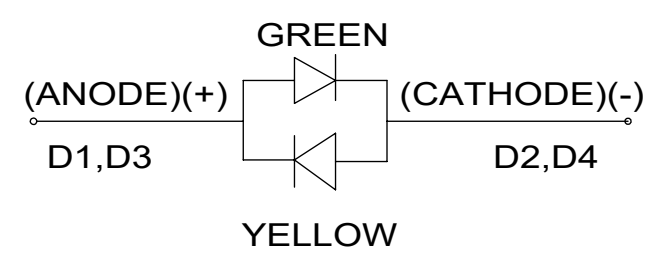
REVISIONS			
REV	DESCRIPTION, ECN, EAR NO.	DATE	APP'D
A	INITIAL RELEASE	APR20,23	K.TANG



TYPICAL FOR SINGLE COLOR



TYPICAL FOR BI-COLOR
(E.G. BIC GREEN/YELLOW)



EXAMPLE:
PART NUMBER: RJE36-188-2XXH

LED COLOR CODE

CODE	LED 2(LEFT)	LED 1(RIGHT)	CODE	LED 2(LEFT)	LED 1(RIGHT)	CODE	LED 2(LEFT)	LED 1(RIGHT)
0	BLOCKED	BLOCKED	9	GREEN	BLOCKED	J	BIC RD/GR	YELLOW
1	YELLOW	GREEN	A	BIC GR/YE	BIC GR/YE	K	YELLOW	BIC GR/OR
2	BLOCKED	GREEN	B	BIC RD/GR	BIC RD/GR	L	BIC GR/YE	RED
3	YELLOW	BLOCKED	C	BIC RD/GR	BIC GR/YE	M	RED	YELLOW
4	GREEN	YELLOW	D	GREEN	BIC GR/YE	N	BIC GR/RD	BIC GR/YE
5	GREEN	GREEN	E	YELLOW	BIC GR/YE	P	GREEN	BIC RD/GR
6	YELLOW	YELLOW	F	BIC GR/YE	YELLOW	R	BIC GR/OR	GREEN
7	RED	GREEN	G	BIC GR/OR	BIC GR/OR	T	RED	RED
8	GREEN	RED	H	BIC GR/YE	GREEN	V	BIC RD/GR	GREEN

PRIMARY COLOR FOR BI-COLOR
LEDS IN STANDARD ANODE/CATHODE
CONFIGURATION IS:
RED-GREEN=RED
RED-YELLOW=RED
GREEN-YELLOW=GREEN
GREEN-ORANGE=GREEN

LEGEND
BIC= BI-COLOR LED
YE=YELLOW
GR=GREEN
RD=RED
OR=ORANGE

NOTE:
THE TWO DIGITS PRECEDING THE
ADDITIONAL LED CODE MUST BE
USED IN THE PART NUMBER, WHEN
ORDERING ANY OF THE ADDITIONAL
LED OPTIONS.



THIS DOCUMENT CONTAINS PROPRIETARY INFORMATION AND SUCH INFORMATION MAY NOT BE DISCLOSED TO OTHERS FOR ANY PURPOSE OR USED FOR MANUFACTURING PURPOSES WITHOUT WRITTEN PERMISSION FROM AMPHENOL CANADA CORP.

UNLESS SPECIFIED OTHERWISE	DRAWN	K.TANG	APR20.2023
PRIMARY UNITS MILLIMETERS	CHECKED		
SECONDARY	M.E. APP'D		
REFERENCE IN PARENTHESES	Q.A. APP'D		
GENERAL TOLERANCES	DWG APPR.		
1 DECIMAL PLACE ±0.50	ENG. REL. NO.		
2 DECIMAL PLACES ±0.38	REF.		
3 DECIMAL PLACES ±0.25	THIRD ANGLE PROJECTION		DO NOT SCALE DRAWING
ANGULAR DEGREES ±1.0°			

Amphenol Canada Corp.
Commercial Products

RJ45 OVER HDMI, 8P8C, WITH LED,
SHIELDED WITHOUT EMI TABS
- RoHS COMPLIANT

DWG. NO. **P-RJE36-188-2XXH** REV **A**

CODE ID NO. 03554 DWG SIZE: X SCALE: 3:1 SHEET 2 OF 2