



Product / Process Change Notification (PCN)	
<input checked="" type="checkbox"/> Major change <input type="checkbox"/> Minor change	
PCN #: PCN_ConMJ_20231009 Affected Series: WR-MJ-Series; 615008140121 615008142621 615008138221 615008138021 615008137421 PCN Date: July 07, 2023 Effective Date: October 09, 2023	Change Category: <input checked="" type="checkbox"/> Equipment / Location <input type="checkbox"/> General Data <input type="checkbox"/> Material <input type="checkbox"/> Process <input checked="" type="checkbox"/> Product Design <input type="checkbox"/> Shipping / Packaging <input type="checkbox"/> Supplier <input type="checkbox"/> Software
Contact: Product Management Phone: +49 (0) 7942 - 945 5001 Fax: +49 (0) 7942 - 945 5179 E-Mail: pcn.eican@we-online.com	Data Sheet Change: <input checked="" type="checkbox"/> Yes <input type="checkbox"/> No Attachment: <input type="checkbox"/> Yes <input checked="" type="checkbox"/> No
Description and purpose of change: <p>In order to enhance the product reliability, Würth Elektronik is upgrading the design and industrial processes for this product.</p> <p>All products with date code 2023-04-04 or later, will be affected by this change.</p> <p>There will be no change in function of the product.</p>	
Detail of Change: <p>The change is a total overhaul of the Modular Jack design and production for the 5 references.</p> <p>Retention Peg: 615008140121: The Retention Peg has been shortened to revert back to the pre-2022 change to maximize compatibility. 615008142621, 615008138221, 615008138021: the Retention Peg design has been slightly changed to allow a better insertion on PCB</p>	

Housing:

615008142621: Option has been added for another pair of contacts
 615008140121: Standoff has been added to the housing to improve soldering
 615008138221, 615008138021: general housing appearance change

Shielding:

615008140121, 615008142621, 615008138221: Back shielding assembly has been simplified.

Outer Dimensions:

All parts: Outer dimensions are adjusted to better reflect current conditions.

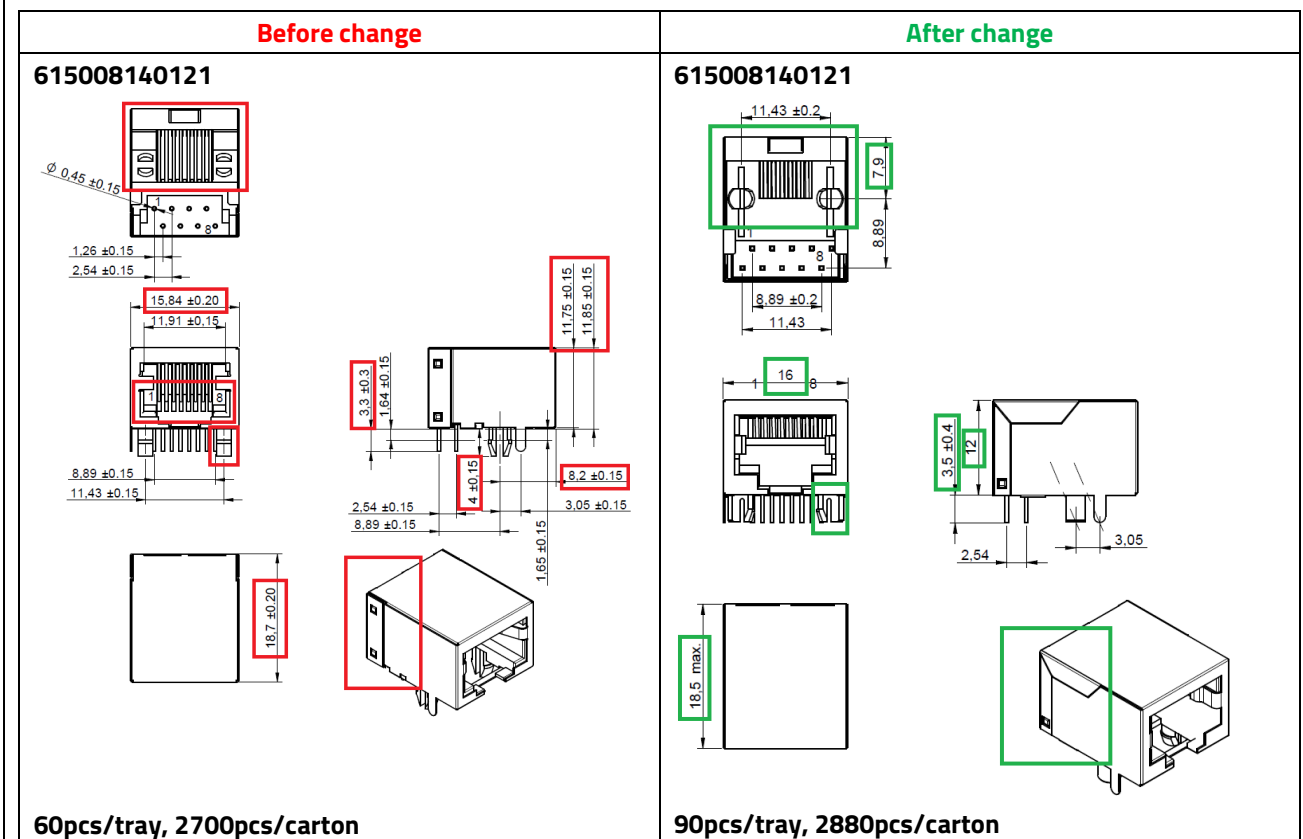
PCB Layout:

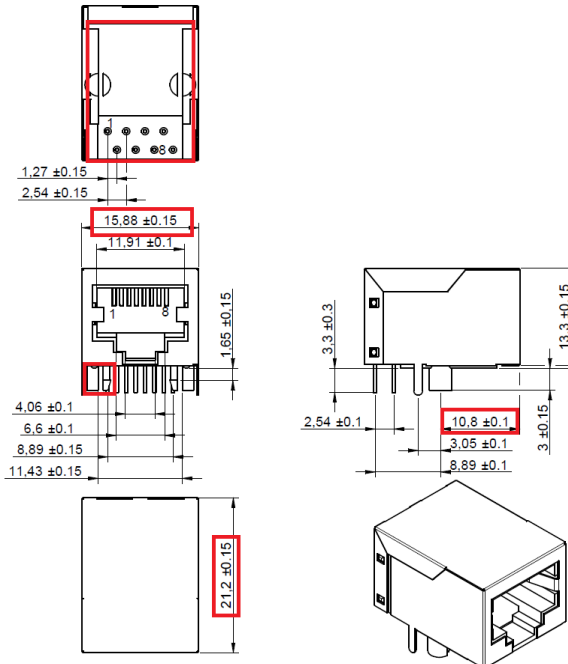
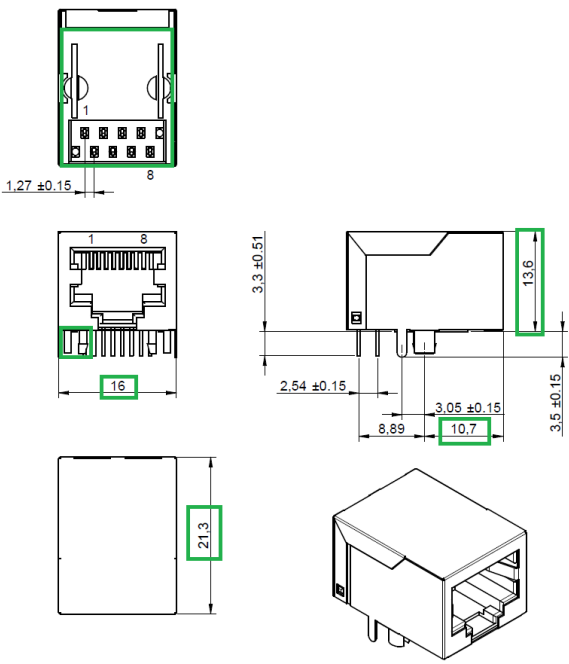
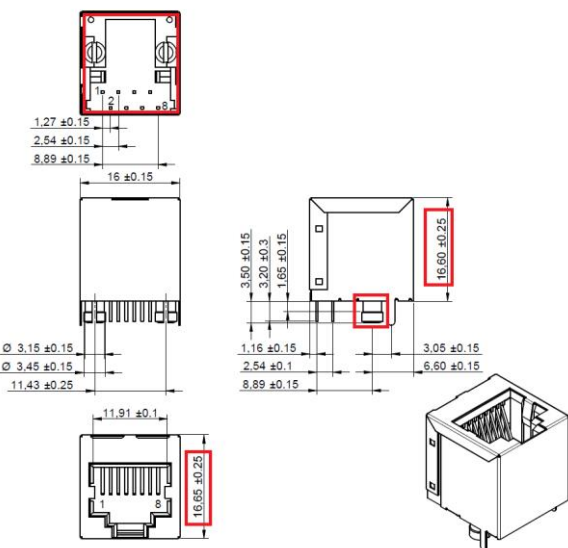
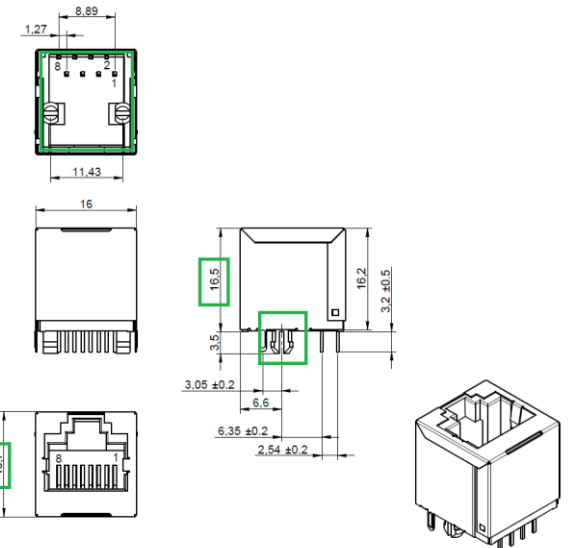
All parts: The PCB layout does not change compared to the previous version.

Product lot number is adjusted to the new assembly site :

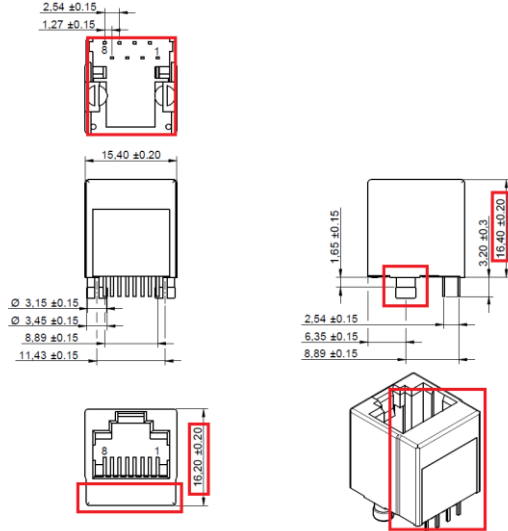
- Before change : 243xxx
- After change : 425xxx

New packaging standard, adjusted to have the same external dimensions across references, see below.



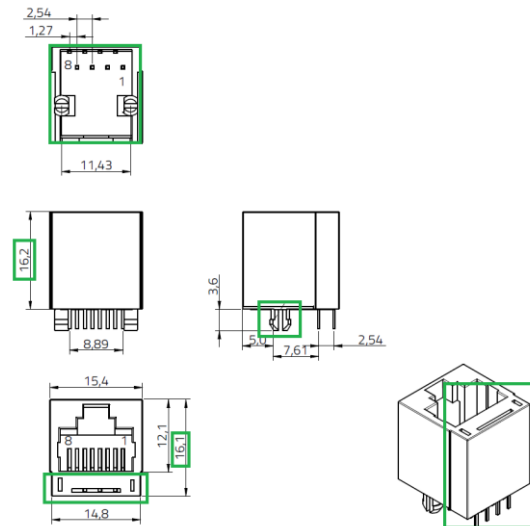
<p>615008142621</p>  <p>80pcs/tray, 3200pcs/carton</p>	<p>615008142621</p>  <p>70pcs/tray, 1680pcs/carton</p>
<p>615008138221</p>  <p>80pcs/tray, 2400pcs/carton</p>	<p>615008138221</p>  <p>70pcs/tray, 1960pcs/carton</p>

615008138021



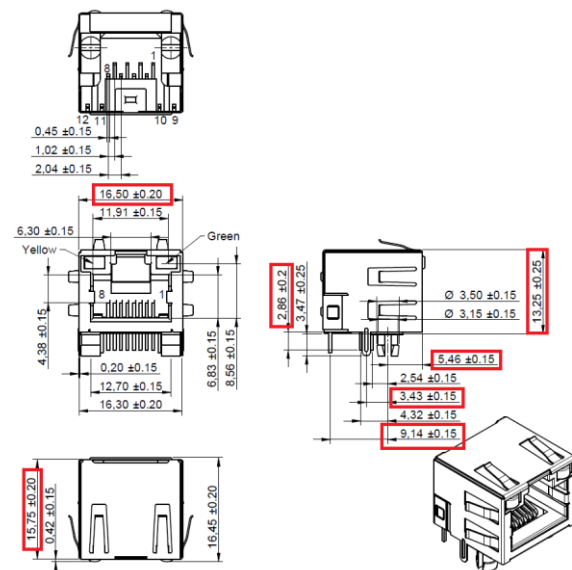
168pcs/tray, 3024pcs/carton

615008138021



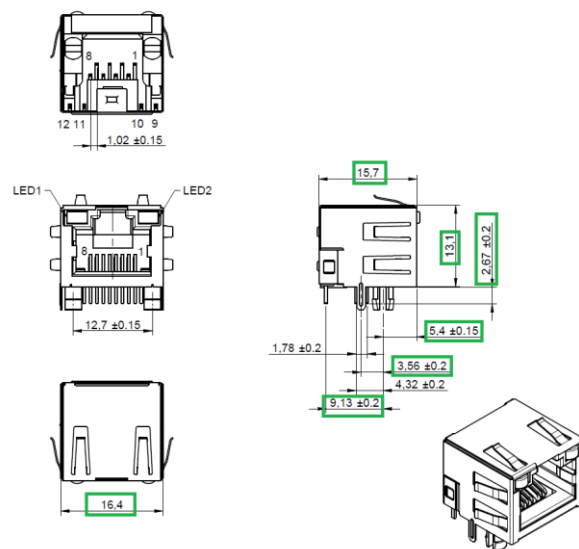
100pcs/tray, 3200pcs/carton

615008137421



60pcs/tray, 2700pcs/carton

615008137421



70pcs/tray, 2100pcs/carton



Reliability / Qualification Summary:

Product approval is according to the specification criteria and is internally released by the Product Management Department.

The following items are part of the internal release process:

- Visual Appearance (Surface, Burr, Contaminations, ...)
- Mechanical Parameters (as specified in the Reliability Test Report)
- Environmental Parameters (as specified in the Reliability Test Report)
- Electrical Parameters (as specified in the Reliability Test Report)
- Approval of production line