



Reversing starter, 3RM1, 500 V, 0.55 - 3 kW, 1.6 - 7 A, 24 V DC, screw terminals

product brand name	SIRIUS
product category	Motor starter
product designation	Reversing starter
design of the product	with electronic overload protection
product type designation	3RM1
<b>General technical data</b>	
equipment variant according to IEC 60947-4-2	3
product function	Reversing starter
• intrinsic device protection	Yes
• for power supply reverse polarity protection	No
suitability for operation device connector 3ZY12	Yes
insulation voltage rated value	500 V
overvoltage category	III
surge voltage resistance rated value	6 kV
maximum permissible voltage for protective separation	
• between main and auxiliary circuit	500 V
• between control and auxiliary circuit	250 V
shock resistance	6g / 11 ms
vibration resistance	1 ... 6 Hz, 15 mm; 20 m/s <sup>2</sup> , 500 Hz
operating frequency maximum	1 1/s
mechanical service life (operating cycles) typical	30 000 000
reference code according to IEC 81346-2	Q
Substance Prohibitance (Date)	03/01/2017
product function	
• direct start	No
• reverse starting	Yes
product function short circuit protection	No
<b>Electromagnetic compatibility</b>	
EMC emitted interference according to IEC 60947-1	class A
EMC immunity according to IEC 60947-1	Class A
conducted interference	
• due to burst according to IEC 61000-4-4	3 kV / 5 kHz
• due to conductor-earth surge according to IEC 61000-4-5	2 kV
• due to conductor-conductor surge according to IEC 61000-4-5	1 kV
• due to high-frequency radiation according to IEC 61000-4-6	10 V
field-based interference according to IEC 61000-4-3	10 V/m
electrostatic discharge according to IEC 61000-4-2	4 kV contact discharge / 8 kV air discharge
conducted HF interference emissions according to CISPR11	Class B for the domestic, business and commercial environments

field-bound HF interference emission according to CISPR11	Class B for the domestic, business and commercial environments
<b>Safety related data</b>	
protection class IP on the front according to IEC 60529	IP20
touch protection on the front according to IEC 60529	finger-safe
<b>Main circuit</b>	
number of poles for main current circuit	3
design of the switching contact	Hybrid
design of the switching contact as NO contact for signaling function	OUT, electronic, 24 V DC, 15 mA
adjustable current response value current of the current-dependent overload release	1.6 ... 7 A
minimum load [%]	20 %; from set rated current
type of the motor protection	solid-state
operating voltage rated value	48 ... 500 V
relative symmetrical tolerance of the operating voltage	10 %
operating frequency 1 rated value	50 Hz
operating frequency 2 rated value	60 Hz
relative symmetrical tolerance of the operating frequency	10 %
operational current	
• at AC at 400 V rated value	7 A
• at AC-3 at 400 V rated value	7 A
• at AC-53a at 400 V at ambient temperature 40 °C rated value	7 A
ampacity when starting maximum	56 A
operating power for 3-phase motors at 400 V at 50 Hz	0.55 ... 3 kW
derating temperature	40 °C
<b>Inputs/ Outputs</b>	
input voltage at digital input	
• at DC rated value	24 V
• with signal <0> at DC	0 ... 5 V
• for signal <1> at DC	15 ... 30
input current at digital input	
• for signal <1> at DC	11 mA
• with signal <0> at DC	1 mA
number of CO contacts for auxiliary contacts	1
operational current of auxiliary contacts at AC-15 at 230 V maximum	3 A
operational current of auxiliary contacts at DC-13 at 24 V maximum	1 A
<b>Control circuit/ Control</b>	
type of voltage of the control supply voltage	DC
control supply voltage at DC rated value	19.2 ... 30 V
relative negative tolerance of the control supply voltage at DC	20 %
relative positive tolerance of the control supply voltage at DC	25 %
control supply voltage 1 at DC rated value	24 V
operating range factor control supply voltage rated value at DC	
• initial value	0.8
• full-scale value	1.25
control current at DC	
• in standby mode of operation	25 mA
• during operation	70 mA
inrush current peak	
• at DC at 24 V	300 mA
• at DC at 24 V at switching on of motor	140 mA
duration of inrush current peak	
• at DC at 24 V	80 ms
• at DC at 24 V at switching on of motor	80 ms
power loss [W] in auxiliary and control circuit	
• in switching state OFF	
— with bypass circuit	0.6 W

<ul style="list-style-type: none"> <li>● in switching state ON <ul style="list-style-type: none"> <li>— with bypass circuit</li> </ul> </li> </ul>	1.68 W
<b>Response times</b>	
<b>ON-delay time</b>	60 ... 90 ms
<b>OFF-delay time</b>	60 ... 90 ms
<b>Power Electronics</b>	
<b>operational current</b>	
<ul style="list-style-type: none"> <li>● at 40 °C rated value</li> </ul>	7 A
<ul style="list-style-type: none"> <li>● at 50 °C rated value</li> </ul>	6.1 A
<ul style="list-style-type: none"> <li>● at 55 °C rated value</li> </ul>	5.2 A
<ul style="list-style-type: none"> <li>● at 60 °C rated value</li> </ul>	4.6 A
<b>Installation/ mounting/ dimensions</b>	
<b>mounting position</b>	vertical, horizontal, standing (observe derating)
<b>fastening method</b>	screw and snap-on mounting onto 35 mm DIN rail
<b>height</b>	100 mm
<b>width</b>	23 mm
<b>depth</b>	142 mm
<b>required spacing</b>	
<ul style="list-style-type: none"> <li>● with side-by-side mounting <ul style="list-style-type: none"> <li>— forwards</li> <li>— backwards</li> <li>— upwards</li> <li>— downwards</li> <li>— at the side</li> </ul> </li> <li>● for grounded parts <ul style="list-style-type: none"> <li>— forwards</li> <li>— backwards</li> <li>— upwards</li> <li>— at the side</li> <li>— downwards</li> </ul> </li> </ul>	0 mm 0 mm 50 mm 50 mm 0 mm  0 mm 0 mm 50 mm 4 mm 50 mm
<b>Ambient conditions</b>	
installation altitude at height above sea level maximum	4 000 m; For derating see manual
<b>ambient temperature</b>	
<ul style="list-style-type: none"> <li>● during operation</li> </ul>	-25 ... +60 °C
<ul style="list-style-type: none"> <li>● during storage</li> </ul>	-40 ... +70 °C
<ul style="list-style-type: none"> <li>● during transport</li> </ul>	-40 ... +70 °C
environmental category during operation according to IEC 60721	3K6 (no ice formation, only occasional condensation), 3C3 (no salt mist), 3S2 (sand must not get into the devices), 3M6
relative humidity during operation	10 ... 95 %
air pressure according to SN 31205	900 ... 1 060 hPa
<b>Communication/ Protocol</b>	
<b>protocol is supported</b>	
<ul style="list-style-type: none"> <li>● PROFINET IO protocol</li> </ul>	No
<ul style="list-style-type: none"> <li>● PROFIsafe protocol</li> </ul>	No
<b>product function bus communication</b>	No
protocol is supported AS-Interface protocol	No
<b>Connections/ Terminals</b>	
<b>type of electrical connection</b>	screw-type terminals for main circuit, screw-type terminals for control circuit
<ul style="list-style-type: none"> <li>● for main current circuit</li> </ul>	screw-type terminals
<ul style="list-style-type: none"> <li>● for auxiliary and control circuit</li> </ul>	screw-type terminals
<b>wire length for motor unshielded maximum</b>	100 m
type of connectable conductor cross-sections for main contacts	
<ul style="list-style-type: none"> <li>● solid</li> </ul>	1x (0,5 ... 4 mm <sup>2</sup> ), 2x (0,5 ... 2,5 mm <sup>2</sup> )
<ul style="list-style-type: none"> <li>● finely stranded with core end processing</li> </ul>	1x (0,5 ... 4 mm <sup>2</sup> ), 2x (0,5 ... 1,5 mm <sup>2</sup> )
<b>connectable conductor cross-section for main contacts</b>	
<ul style="list-style-type: none"> <li>● solid or stranded</li> </ul>	0.5 ... 4 mm <sup>2</sup>
<ul style="list-style-type: none"> <li>● finely stranded with core end processing</li> </ul>	0.5 ... 4 mm <sup>2</sup>
<b>connectable conductor cross-section for auxiliary contacts</b>	
<ul style="list-style-type: none"> <li>● solid or stranded</li> </ul>	0.5 ... 2.5 mm <sup>2</sup>
<ul style="list-style-type: none"> <li>● finely stranded with core end processing</li> </ul>	0.5 ... 2.5 mm <sup>2</sup>
<b>type of connectable conductor cross-sections</b>	

<ul style="list-style-type: none"> <li>• for auxiliary contacts <ul style="list-style-type: none"> <li>— solid</li> <li>— finely stranded with core end processing</li> </ul> </li> <li>• for AWG cables for auxiliary contacts</li> </ul>	1x (0,5 ... 2,5 mm <sup>2</sup> ), 2x (1,0 ... 1,5 mm <sup>2</sup> ) 1x (0.5 ... 2.5 mm <sup>2</sup> ), 2x (0.5 ... 1 mm <sup>2</sup> ) 1x (20 ... 14), 2x (18 ... 16)
<b>AWG number as coded connectable conductor cross section</b>	
<ul style="list-style-type: none"> <li>• for main contacts</li> <li>• for auxiliary contacts</li> </ul>	20 ... 12 20 ... 14

#### UL/CSA ratings

<b>yielded mechanical performance [hp]</b>	
<ul style="list-style-type: none"> <li>• for single-phase AC motor <ul style="list-style-type: none"> <li>— at 110/120 V rated value</li> <li>— at 230 V rated value</li> </ul> </li> <li>• for 3-phase AC motor <ul style="list-style-type: none"> <li>— at 200/208 V rated value</li> <li>— at 220/230 V rated value</li> <li>— at 460/480 V rated value</li> </ul> </li> </ul>	0.25 hp 0.5 hp 1 hp 1.5 hp 3 hp
operating voltage at AC rated value	480 V
<b>operational current at AC at 480 V according to UL 508</b>	6.1 A

#### Certificates/ approvals

<b>General Product Approval</b>	<b>EMC</b>
---------------------------------	------------



[Confirmation](#)



<b>Declaration of Conformity</b>	<b>Test Certificates</b>	<b>other</b>	<b>Railway</b>
----------------------------------	--------------------------	--------------	----------------



EG-Konf.

[Type Test Certificates/Test Report](#)

[Confirmation](#)

[Special Test Certificate](#)

#### Further information

Siemens has decided to exit the Russian market (see here).

<https://press.siemens.com/global/en/pressrelease/siemens-wind-down-russian-business>

Siemens is working on the renewal of the current EAC certificates.

Please contact your local Siemens office on the status of validity of the EAC certification if you intend to import or offer to supply these products to an EAC relevant market (other than the sanctioned EAEU member states Russia or Belarus).

Information on the packaging

<https://support.industry.siemens.com/cs/ww/en/view/109813875>

Information- and Downloadcenter (Catalogs, Brochures,...)

<https://www.siemens.com/ic10>

Industry Mall (Online ordering system)

<https://mall.industry.siemens.com/mall/en/en/Catalog/product?mlfb=3RM1207-1AA04>

Cax online generator

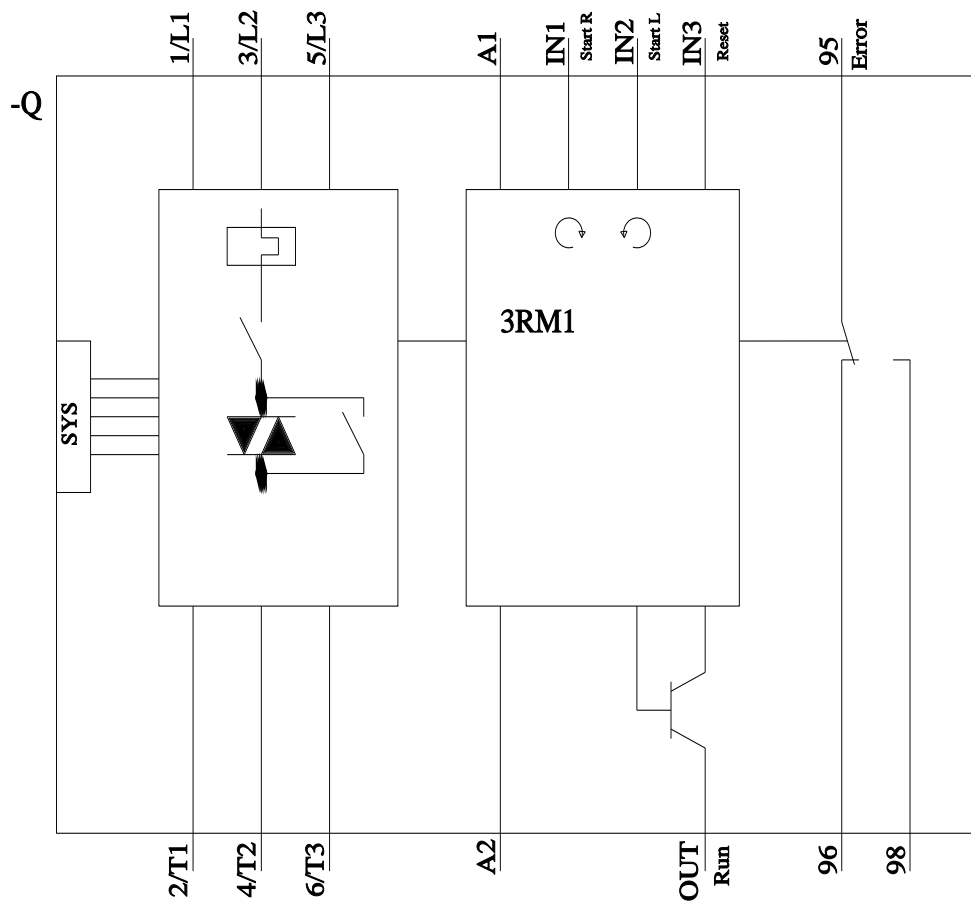
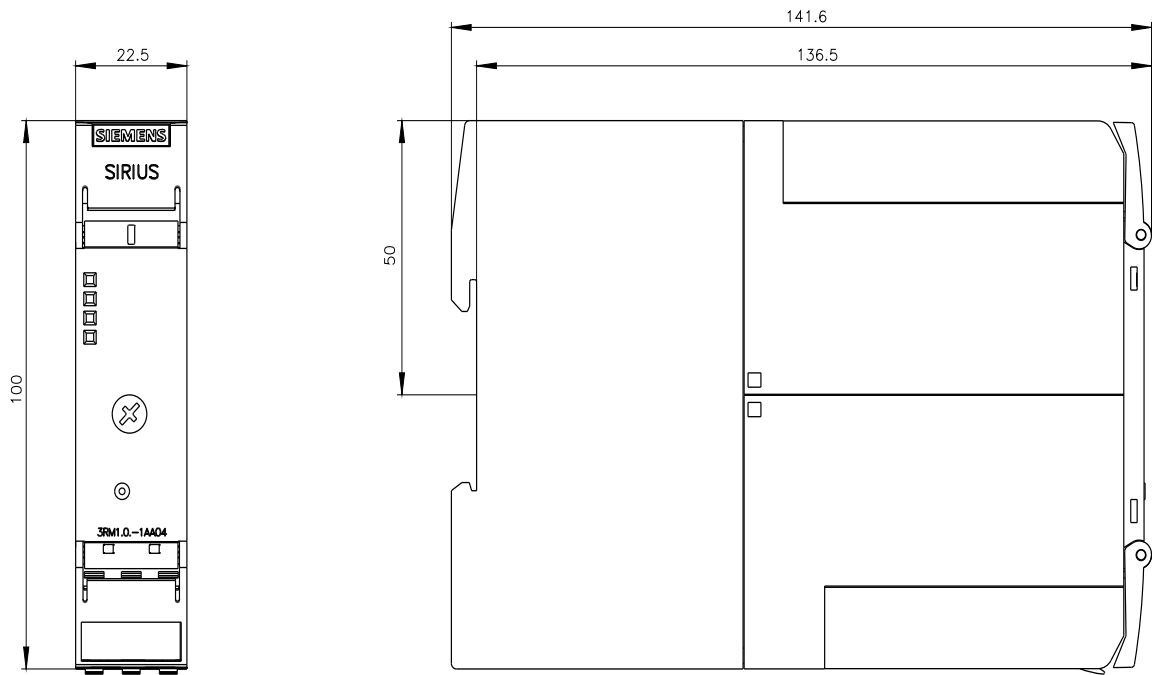
<http://support.automation.siemens.com/WW/CAXorder/default.aspx?lang=en&mlfb=3RM1207-1AA04>

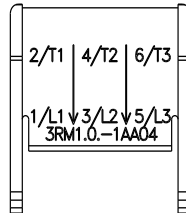
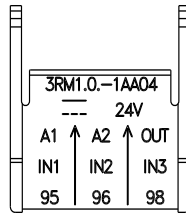
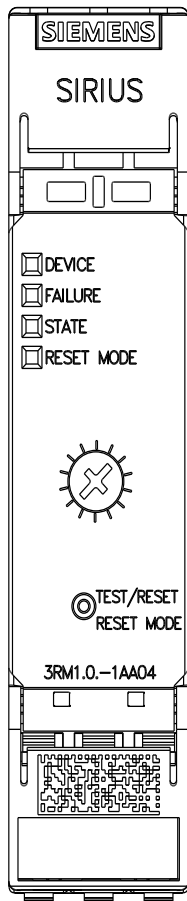
Service&Support (Manuals, Certificates, Characteristics, FAQs,...)

<https://support.industry.siemens.com/cs/ww/en/ps/3RM1207-1AA04>

Image database (product images, 2D dimension drawings, 3D models, device circuit diagrams, EPLAN macros, ...)

[http://www.automation.siemens.com/bilddb/cax\\_de.aspx?mlfb=3RM1207-1AA04&lang=en](http://www.automation.siemens.com/bilddb/cax_de.aspx?mlfb=3RM1207-1AA04&lang=en)





last modified:

11/21/2022