



# SPECIFICATION

## Vibration Motor

TOTAL PAGE 07 <http://www.bestargroups.com> RoHS

Customer		Model Name	BV0803H2.7
Customer P/N		Product No.	210815
Date	16 May. 2016	Issue No.	BS/TET01.033A
Page	01 of 07	Issue Date	2016/05/16

### Approval:

- 1.Characteristics
- 2.Dimension
- 3.Reliability Test
- 4.Packing
- 5.Notice
- 6.History change record

Drawn by	Checked by	Approved by	Customer approved
常琦	陶红仲	张秀琴	

### **BeStar Holding Co., Ltd.**

No.199 HuangHe West Road,New district,ChangZhou,JiangSu Province,P.R.China

**Tel:** +86 519 88222567 **Fax:** +86 519 88222551

**E-mail:** [wu@be-star.com](mailto:wu@be-star.com) <http://www.bestargroups.com>

# BV0803H2.7



## 1.Characteristics

### 1.1Operating Conditions

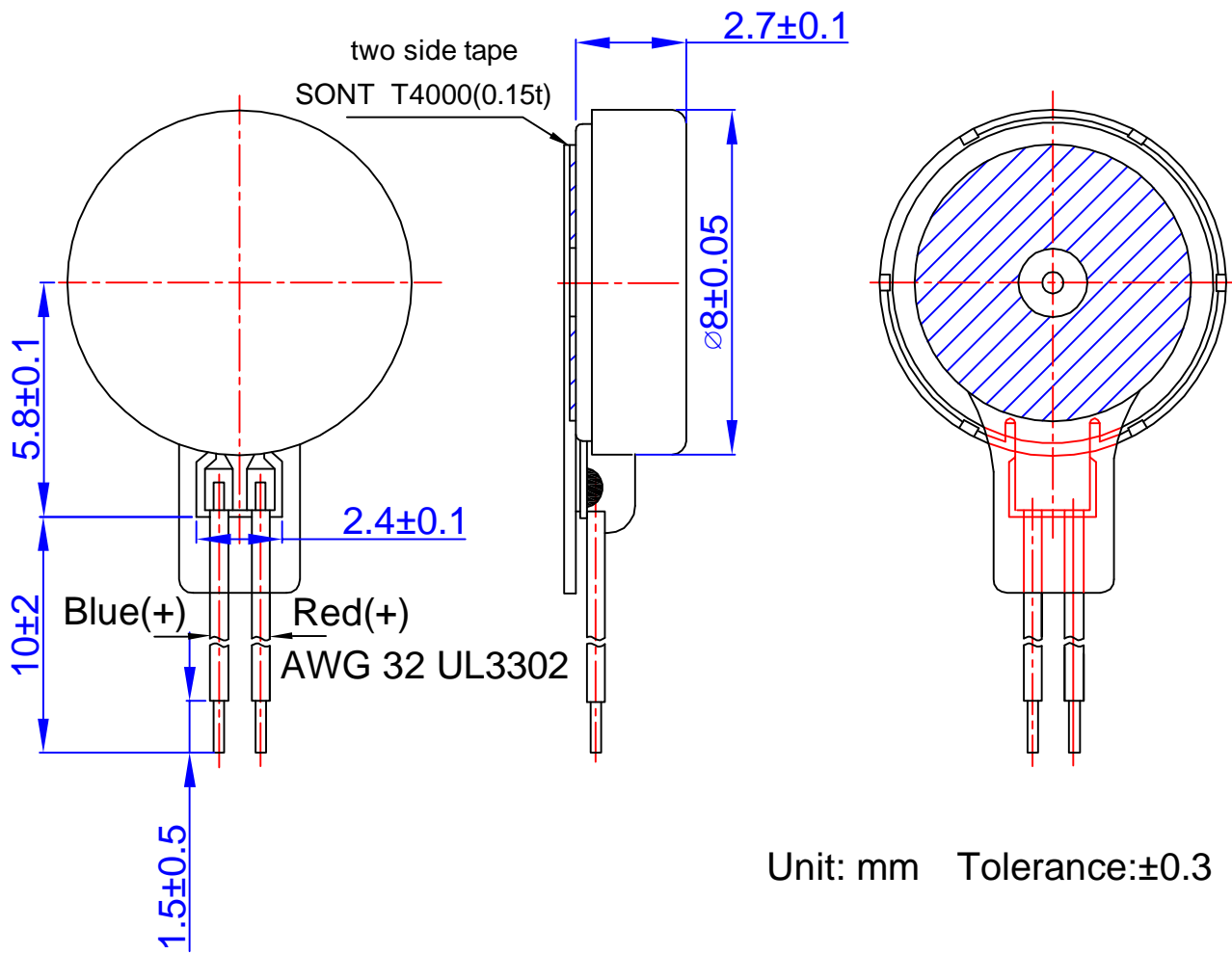
	Parameter	Specifications
1.	Rated Voltage	3VDC
2.	Operating Voltage	2.7~3.3VDC
3.	Rotation	CW(clockwise) or CCW (counter clockwise)
4.	* Rated Current at 25 °C	Max. 100mA
5.	* Rated Speed	12000±3000 r/min
6.	Starting Current	Max. 120mA
7.	Starting Voltage	Max. 2.3VDC
8.	Terminal resistance at 25 °C	29±15%Ω ( single posture ) 54±15%Ω ( compose posture )
9.	**Insulation resistance	Min.10MΩ
10.	Bracket Deflection strength	Min. 9.8N
11.	Mechanical noise	Max. 50dB
12.	Operating Temperature	-20...+60°C
13.	Storage Temperature	-30...+70°C
*Value applying 3VDC		
**At DC 100V between lead wire and case.		

This print and information there in are property to BeStar Holding Co., Ltd. and shall not be used in whole or in part without its written content.

				Date:	2016/05/16	BV0803H2.7	
				Drawn by:	常琦		
A	2016/05/16	常琦		Checked by:	陶红仲	Vibration Motor	
Rev.	Date	Drawn	Note	Approved by:	张秀琴		
BeStar Holding Co., Ltd.						DRG NO: BS/TET01.033A	Page:2 of 7
<a href="http://www.bestargroups.com">www.bestargroups.com</a> <a href="mailto:wu@be-star.com">wu@be-star.com</a>							

# BV0803H2.7

## 2. Dimension



This print and information there in are propriety to BeStar Holding Co., Ltd. and shall not be used in whole or in part without its written content.

			Date:	2016/05/16	BV0803H2.7	
			Drawn by:	常琦		
A	2016/05/16	常琦	Checked by:	陶红仲	Vibration Motor	
Rev.	Date	Drawn	Approved by:	张秀琴		
BeStar Holding Co., Ltd.					DRG NO: BS/TET01.033A	Page:3 of 7
www.bestargroups.com wu@be-star.com						

# BV0803H2.7

## 3. Reliability test

### 3.1 Life test

Power

Duration

Rated voltage

2s on, 2s off, as 1 cycle;  
total 50,000 cycles

Motors shall be approved as specified in item A.

### 3.2 Low temperature test

Temperature

Duration

- 30° C

96hrs

Motors shall be approved as specified in item B.

### 3.3 High temperature test

Temperature

Duration

+70° C

96hrs

Motors shall be approved as specified in item B.

### 3.4 Humidity test

Temperature

Duration

+40° C 95%RH

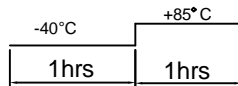
96hrs

Motors shall be approved as specified in item B.

### 3.5 Temperature cycle test

Cycles

15



Motors shall be approved as specified in item B.

all these tests above should be measured after leaving normal temperature for 4hrs.

### 3.6 Vibration Test

Vibration Frequency

Amplitude

Duration x,y&z directions

10~55Hz

1.5mm

30min

Motors shall be approved as specified in item B.

### 3.7 Drop test

Height

Direction

1.5m (to concrete floor)

2times in each of six planes

Motors shall be approved as specified in item B.

This print and information there in are property to BeStar Holding Co., Ltd. and shall not be used in whole or in part without its written content.

				Date:	2016/05/16	BV0803H2.7	
				Drawn by:	常琦		
A	A	2016/05/16	常琦	Checked by:	陶红仲	Vibration Motor	
Rev.	Date	Drawn	Note	Approved by:	张秀琴		
BeStar Holding Co., Ltd.						DRG NO: BS/TET01.033A	Page:4 of 7
www.bestargroups.com wu@be-star.com							

# BV0803H2.7

## Judgments after Reliability test

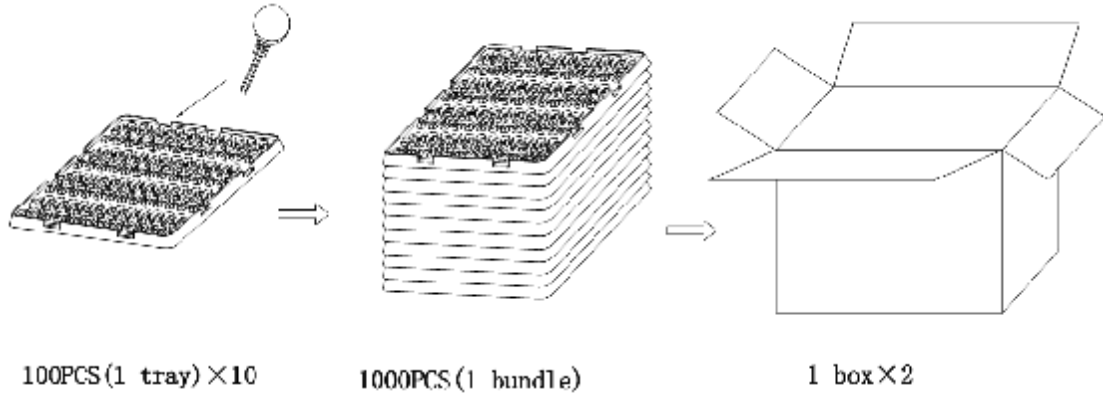
Item	Requirements
A	1)Rated speed: No lower than -30% of initial data No more than +50% of initial data 2)Rated current: No lower than -30% of initial data No more than +50% of initial data 3)Terminal resistance: No lower than -15% of initial data No more than +15% of initial data 4)Starting voltage : Max. 2.5DC 5)Insulation resistance:Min. 10MΩ
B	1)Rated speed: No lower than -20% of initial data No more than +20% of initial data 2)Rated current: No lower than -20% of initial data No more than +20% of initial data 3)Terminal resistance: No lower than -15% of initial data No more than +15% of initial data 4)Starting voltage : Max. 2.5DC

This print and information there in are propriety to BeStar Holding Co., Ltd. and shall not be used in whole or in part without its written content.

				Date:	2016/05/16	BV0803H2.7	
				Drawn by:	常琦		
A	A	2016/05/16	常琦	Checked by:	陶红仲	Vibration Motor	
Rev.	Date	Drawn	Note	Approved by:	张秀琴		
BeStar Holding Co., Ltd.						DRG NO: BS/TET01.033A	Page:5 of 7
<a href="http://www.bestargroups.com">www.bestargroups.com</a> <a href="mailto:wu@be-star.com">wu@be-star.com</a>							

# BV0803H2.7

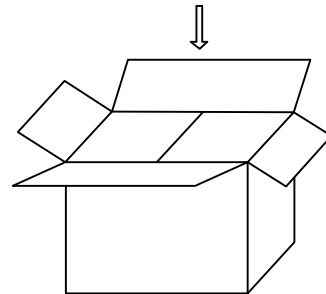
## 4. Packing



Packing Quantity :

4000pcs/CTN:45\*28\*20CM

6000pcs/CTN:45\*28\*30CM



## 5. Notice

5.1 The products mustn't be washed

### 5.2 Storage Condition

The products should be stored in the room ,where the temperature/humidity is stable. And avoid such places where there are large temperature changes. Please store the products at the following conditions:

Temperature: -10 to + 40 °C Humidity: 15 to 85% R.H.

### 5.3 Expire Date on Storage

Expire date (Shelf life) of the products is six months after delivered under the conditions of a sealed and an unopened package. Please use the products within six months after delivered.

If you store the products for a long time (more than six months), use carefully because the products may be degraded in the solderability and/or rusty. Please confirm solderability and characteristics for the products regularly.

### 5.4 Notice on Product Storage

(1) Please do not store the products in a chemical atmosphere (Acids, Alkali, Bases, Organic gas, Sulfides and so on), because the characteristics may be reduced at quality, and/or be degraded in the solderability due to the storage in a chemical atmosphere.

(2) Please use the products immediately after the package is opened, because the characteristics may be reduced at quality, and/or be degraded in the solderability due to storage under the poor condition.

This print and information there in are propriety to BeStar Holding Co., Ltd. and shall not be used in whole or in part without its written content.

				Date:	2016/05/16	BV0803H2.7	
				Drawn by:	常琦		
A	A	2016/05/16	常琦	Checked by:	陶红仲	Vibration Motor	
		Drawn	Note	Approved by:	张秀琴		
BeStar Holding Co., Ltd.						DRG NO: BS/TET01.033A	Page:6 of 7
www.bestargroups.com wu@be-star.com							

