

**Characteristics:**

High Power, Compact Size

**Specifications:**

Dimensions (mm)	: Ø 20.4 X 15.4 X 25.0 mm
Shaft Diameter (mm)	: Ø 2.000 mm
Input Voltage (V)	: 12 V DC
No Load Speed (rpm)	: 25000 rpm
No Load Current (A)	: 0.30 A
Nominal Speed (rpm)	: 20400 rpm
Nominal Torque (mNm)	: 4.00 mNm
Nominal Current (A)	: 1.33 A
Stall Torque (mNm)	: 22.00 mNm
Stall Current (A)	: 6.00 A
Maximum Output Power (W)	: 14.30 W
Maximum Efficiency (%)	: 53.40 %
Torque (mNm) - Max Eff	: 4.00 mNm
Speed (rpm) - Max Eff	: 20400 rpm
Weight (g)	: 22.0 g
Operating Temperature Range (°C)	: -10 to 55 °C
Storage Temperature Range (°C)	: -20 to 80 °C
Electrical Connection	: Terminals

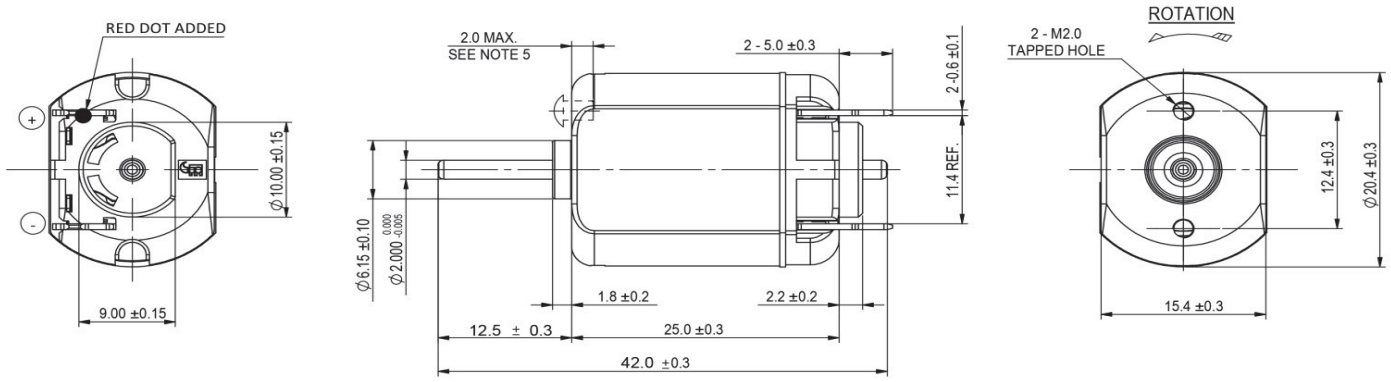
**Performance Data:**

	No Load	Stall	Max Efficiency	Max Power
<b>Current (A)</b>	0.30	6.00	1.33	3.13
<b>Efficiency (%)</b>	-	-	53.40	-
<b>Output Power (W)</b>	-	-	8.55	14.30
<b>Speed (rpm)</b>	24600.00	-	20400.00	12500.00
<b>Torque (mNm)</b>	--	22.00	4.00	10.90

**Application Examples:**

Actuators

Drawing:



Performance Curves:

