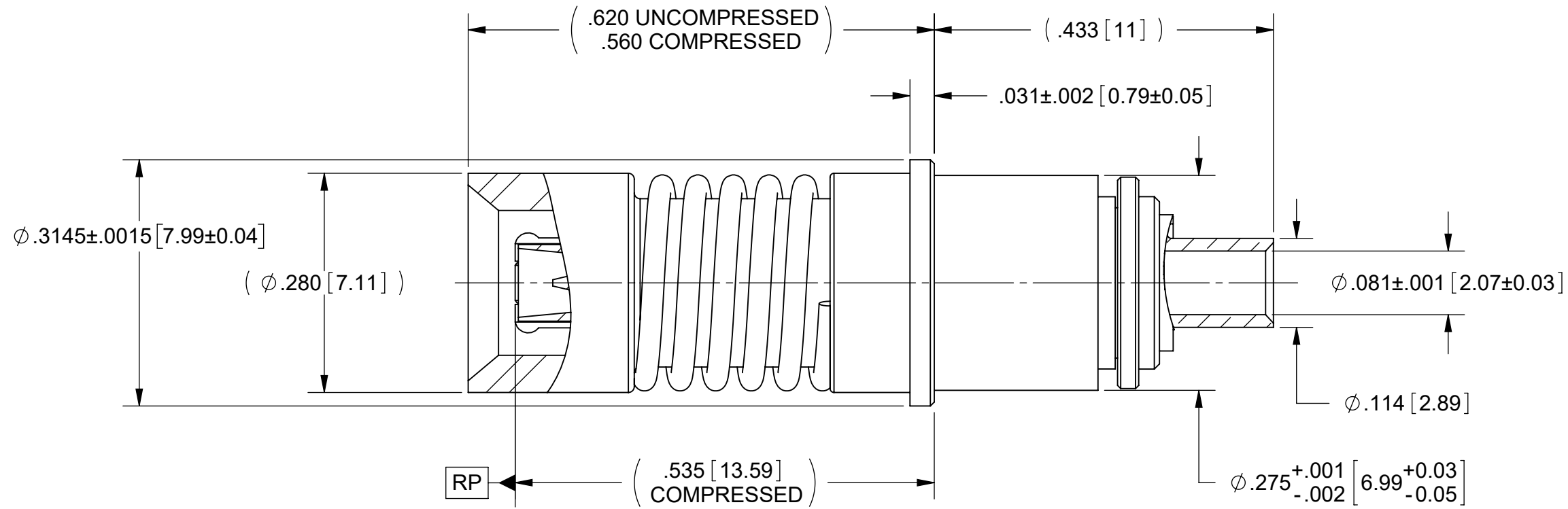


# PRODUCT DATA DRAWING

REVISION HISTORY			
REV	DESCRIPTION	DATE	APPROVED
B	DCN 38472	08/11	STW
C	REV. DCN 51348	02/03/22	STW



## MATERIAL:

**BODY & SLEEVE:** STAINLESS STEEL PER AMS 5640, ALLOY UNS S30300, TYPE 1 OR ATSM A582, TYPE 303, CONDITION A.

**FERRULE:** BRASS PER ASTM B16 ALLOY UNS No. 36000.

**CONTACT:** BERYLLIUM COPPER PER ASTM B196, ALLOY No. UNS C17300, TD04.

**LOCK RING:** BERYLLIUM COPPER PER ASTM B194, B196 OR B197, ALLOY No. UNS C17200 OR C17300.

**INSULATOR:** PTFE PER ASTM D1710, TYPE I, GRADE 1, CLASS B.

**GASKET:** SILICONE RUBBER PER A-A-59588, CLASS 2B, GRADE 60/70

**SPRING:** STAINLESS STEEL PER ASTM A313, TYPE 302.

## FINISH:

**BODY, SLEEVE & SPRING:** PASSIVATED PER AMS 2700.

**CONTACT & FERRULE:** GOLD PER ASTM B488, TYPE II, CODE C, CLASS 1.27 OVER NICKEL PER AMS-QQ-N-290, CLASS 1, .00005" MIN.

**LOCK RING:** NICKEL PER AMS-QQ-N-290.

## PERFORMANCE:

**IMPEDANCE:** 50 OHMS

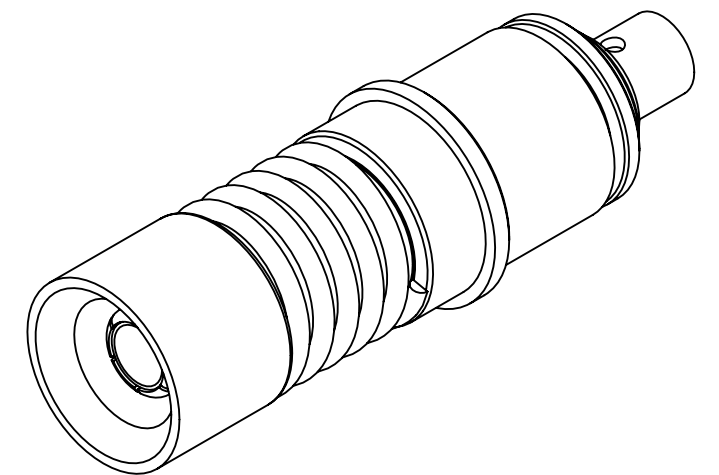
**FREQ. RANGE:** DC TO 18.0 GHz

**VSWR:** 1.25:1 MAX. MATED PAIR DC TO 18.0 GHz

**INSERTION LOSS:** .06 X SQRT(F IN GHz)

**DWV:** 1000 VRMS

**OPERATING TEMP.:** -55 °C TO +125 °C



## SIZE 8 SOCKET CONTACT

MATERIAL: SEE NOTES	DIMENSIONS ARE IN INCHES TOLERANCES: FRACTIONAL: $\pm 1/64$ ANGULAR: X° $\pm 1'0''$ X'X' $\pm 15'$	UNLESS OTHERWISE SPECIFIED 1) ALL DIMENSIONS ARE IN INCHES (MILLIMETERS) 2) ALL DIMENSIONS ARE AFTER PLATING. 3) BREAK CORNERS & EDGES .005 R. MAX. 4) CHAM. 1ST & LAST THREADS.	<b>SV Microwave, Inc.</b> 2400 Centrepark West Drive, Suite 100 West Palm Beach, FL 33409 TITLE: <b>18 GHz BMZ MALE TO TFLEX-405                  FOR M38999 SIZE 8 CAVITY</b>
FINISH: SEE NOTES	DECIMAL: X $\pm .030$ .XX $\pm .010$ .XXX $\pm .005$	5) SURFACE ROUGHNESS $\sqrt{63}$ MIL-STD-10 6) DIA.'S ON COMMON CENTERS TO BE CONCENTRIC WITHIN .005 T.I.R. 7) REMOVE ALL BURRS	
SURFACE AREA: N/A	INTERPRET DIMENSIONS AND TOLERANCES PER ASME Y14.5M - 1994	DRAWN: JMC 03/15/07	SIZE   CAGE CODE   DWG. NO. <b>B   95077   SF9811-6000</b>
<b>PROPRIETARY</b> THE INFORMATION CONTAINED IN THIS DRAWING IS THE SOLE PROPERTY OF SV MICROWAVE, INC. ANY REPRODUCTION IN PART OR AS A WHOLE WITHOUT THE WRITTEN PERMISSION OF SV MICROWAVE, INC IS PROHIBITED.	THIRD ANGLE PROJECTION	CHECKED: STW 05/08/07	SCALE: 6:1
		APPROVED: STW 05/08/07	SHEET 1 OF 1