



# Wireless PIR and Light Sensor

The ILLUMRA™ Puck Sensor is a battery powered motion and light sensor with versatile mounting options that include: ceiling, wall and free-standing. Designed to pair to building management devices using the 902MHz ILLUMRA products. The motion time out is adjustable at the sensor when used with compatible receivers.



- Ceiling, Wall, or Free-standing installation
- Up to 90 foot signal
- Up to 16 foot detection
- Light sensing
- Motion or vacancy sensing
- Low Battery Indicator
- 5 yr Warranty



## Applications



Retrofitting



New Construction



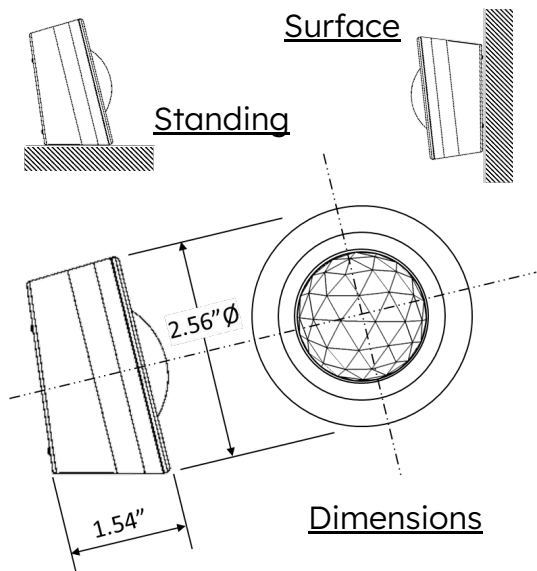
Classrooms



Offices



Residential



Technical Spec:	E9T-OBP Model
Detection Dist.	Ceiling Mount: 20'dia@8' ceiling height Wall, Desk top: 16'rad. X 120°
Frequency	902 MHz EnOcean Protocol
Radio Range	100' max @ +3dbM
Power Supply	(1) CR123A 3V Battery, 5yr Life
Ambient Light	0-1000 Lux potentiometer
Output Channels	Stand Alone - Direct control of devices Gateway - Notifies GW of detection
Dimensions	2.56" x 2.56" x 1.5" [65x65x39mm]
Amb. Op. Temp.	14°F to 113°F [-10°C to +45°C]
Certifications	FCC

## Ordering (example: E9T-OBP):

E9T	-	O	B	P	
E9T = EnOcean 902MHz**		O = Occupancy	B = Battery	P = Portable	White = default

This device or certain aspects thereof is protected by at least one U.S. or International patent or has at least one such patent application pending



# Wireless PIR and Light Sensor

## COMPATIBILITY

Name	Model	Uses
Fixture Controller on/off	E9X-RUV-3HOTP	5A fixture on/off control
Area Controller on/off	E9X-RUV-4IBTP	20A fixture on/off control
Fixture Controller Dimming	E9X-DUV-10VTP-FX	5A fixture 0-10v dimming control
Area Controller Dimming	E9X-DUV-10VTP	20A Area 0-10v dimming control
8 Channel LV Controller	E9R-R04FP-8	LV control of 8 separate circuits
CV PWM Dimmer	E9X-D02FL	PWM dimming using CV 8-28Vdc, 5A
BACnet Gateway	E9X- GWBN	Communicate sensor output to BACnet systems

## LINKS



E9X-RUV-3HOTP



E9X-RUV-4IBTP



E9X-DUV-10VTP-FX



E9X-DUV-10VTP



E9X-D02FL



## BID SPECIFICATION -

### A. Basis of Design: E9T-OBP Series Multi-mount Occupancy Sensor by ILLUMRA.

1. Standards Compliance: 902 MHz, FCC Part 15.231, IC RSS-210.
2. Mechanical:
  - a. Mounting Brackets: For ceiling mount, recess mount, and wall mount.
    - 1) Wall mounted - Use screw holes on center line of backplate.
    - 2) Wall suspended mount - Use keyhole along rear face centerline.
    - 3) Recess mounting - Use spring clips on rear to fit inside opening of wall or ceiling cavity.
  - b. Free-standing. Place on desktop or shelf using flat side along bottom edge.
  - c. Removable Back Plate: Sensor can be detached after mounting.
    - 1) Sensor Enclosure: A tab prevents sensor from being detached from back plate.
  - d. Button: For linking sensor to a wireless controller.
  - e. Button For sending an immediate transmission.
  - f. Red LED Indicator: Behind a lens showing PIR and/or functionality is present. LED may be disabled..
3. Electrical:
  - a. Battery Powered with 5 year life
  - b. Radio: 902 MHz EnOcean. Other frequency radios are not acceptable.
  - c. Radio Range: Laterally Through Walls: 80 ft (24 m). Open Space: 150 ft (50 m).
4. Functional:
  - a. Wirelessly transmit occupancy state
    - 1) PIR Coverage Area: Wide Lens (Perpendicular to assembly axis), 120 degrees wide angle x 5m distance, 285 sq ft.; (Along Nadir) 360 deg.x 16' at 8'AFF, 308 sf.
  - b. Operation: Occupancy based on configuration setting to compatible linked wireless lighting controllers.
  - c. Transmit: Every 120 seconds when PIR or detection is activated.
  - d. Daylight hold off: Natural light detection and hold off when detected.
  - g. Lux Sensitivity Adjustment Test Mode: Five levels of PIR sensitivity selectable.
  - h. LED indication of PIR activity can be enabled or disabled. Allows user to disable the LED blink.