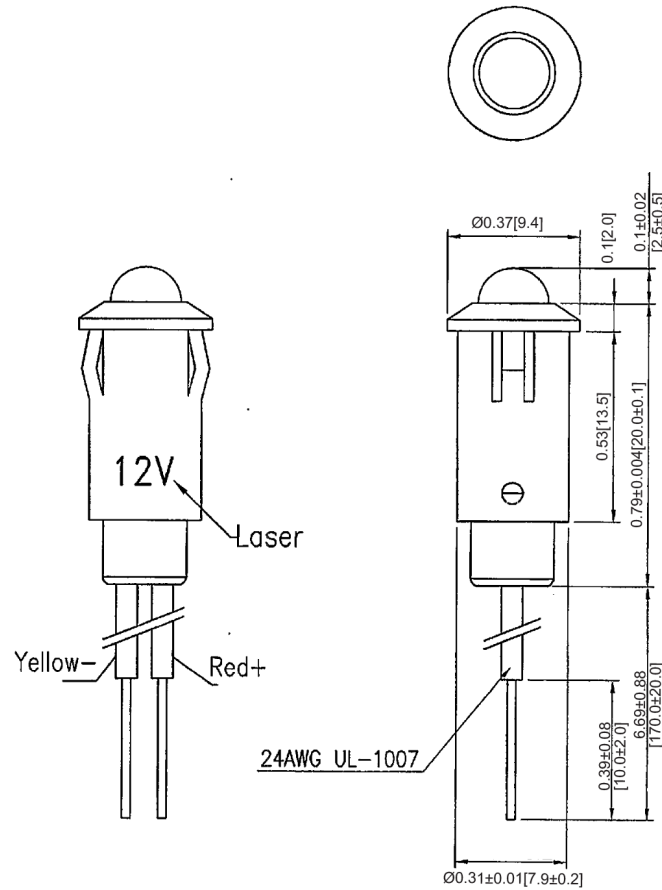


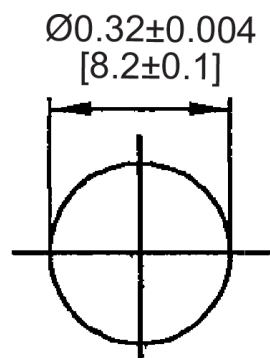
Mechanical Dimensions: Inches [mm]

Tolerances ± 0.012 [0.3] Unless Otherwise Specified

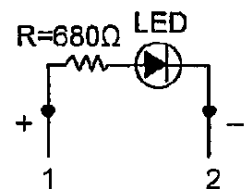


LED Color	Red
Lens Color	Red Diffused
VF	2V
IF	20mA
Iv (mcd)	350mcd
Viewing Angle	25°

Mounting Hole



Circuit Diagram



Electrical Specifications

Voltage Rating	12VDC
Insulation Resistance	DC 500V 100M ohms
Dielectric Strength	AC 1000V 1 min
Operating Temperature	-20°C ~ 85°C

Material Specifications

LED Size	5mm
Body	Nylon 66 (UL94V-2)
Base	Nylon 66 (UL94V-2)
Terminal	Wire 24AWG UL1007, 170mm

Rev **Date of issue** **Revision Notes**

Designed **Approved**

A	11-30-2020	Initial Drawing	RC	OF
---	------------	-----------------	----	----