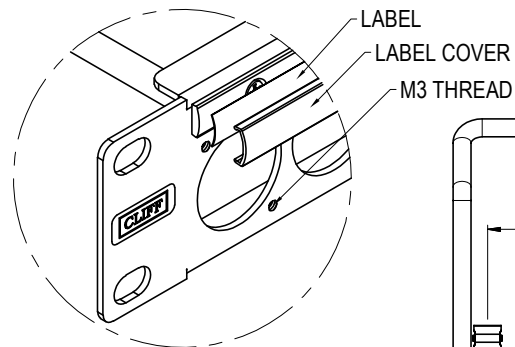
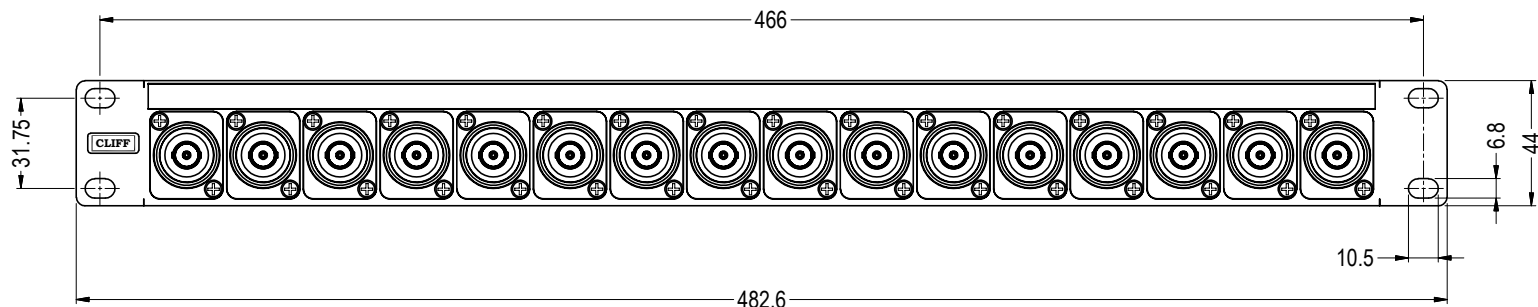
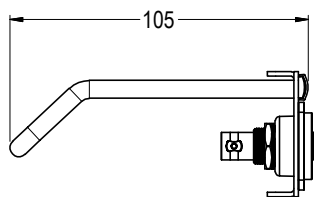
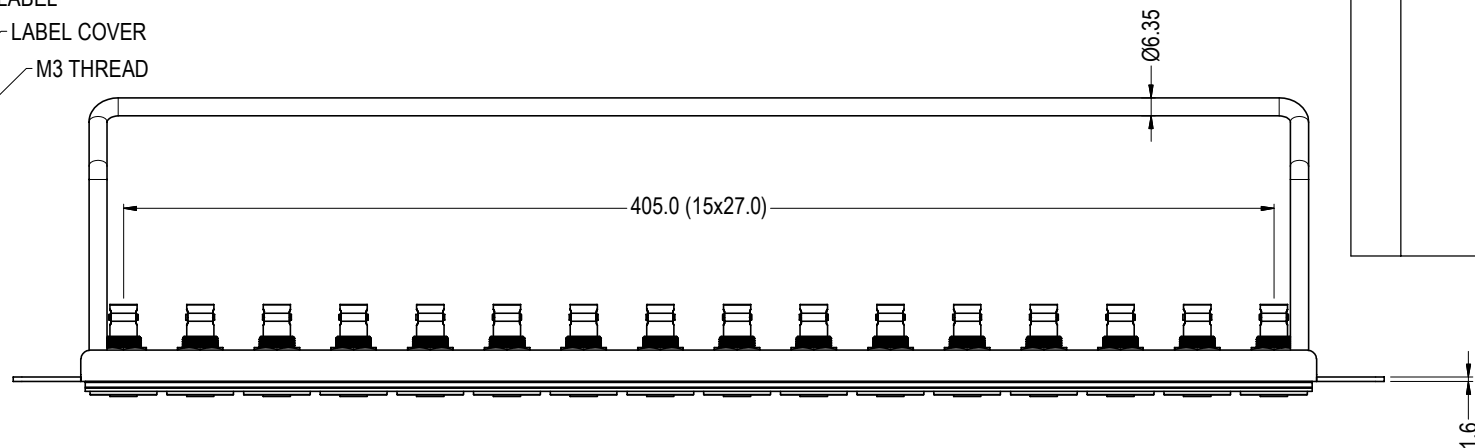


ISS.	AMEND	DATE
1	ISSUED	01/03/18
2	CLIFF LABEL	20/05/19

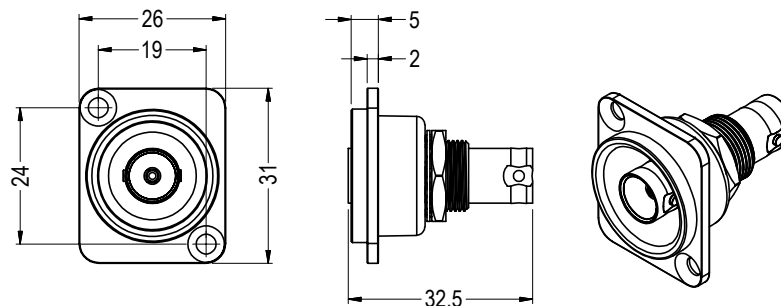


VIEW SHOWING LABEL & LABEL COVER REMOVED



ASSEMBLY:

- 1x CP30151 1U 16x PANEL - M3 HOLES
- 16x CP30126 XLR 75Ω INSUL BNC BM FT



CP30126 - XLR 75Ω INSUL BNC BLACK METAL FT
Scale 2x1

RoHS
COMPLIANT

TOLERANCE
NO DEC. PLACE ±
1 DEC. PLACE ±
2 DEC. PLACE ±
HOLE Ø ±
ANGLES ±
UNLESS OTHERWISE STATED

DO NOT SCALE

Cliff Electronic Components Ltd.
76 Holmethorpe Avenue, Holmethorpe Industrial Estate,
Redhill, Surrey, RH1 2PF, England, UK
Tel: 01737-771375 Fax: 01737-766012 Website: www.cliffuk.co.uk

DIMENSIONS IN MILLIMETERS UNLESS OTHERWISE STATED. WORK TO DIMENSIONS. REMOVE ALL BURRS. IF IN DOUBT ASK.

3rd ANGLE PROJECTION:

MATERIAL: SEE CP30151 + CP30126 DRAWINGS
FINISH: BLACK - SEE CP30151 + CP30126 DRAWINGS
DRAWN: T.J.O. APPROVED: DPJ

TITLE: RACK 16x75Ω IBNC BM FRONT MOUNTED M3

DRWG. No. **CP30170**

FORM: A4DRWGf