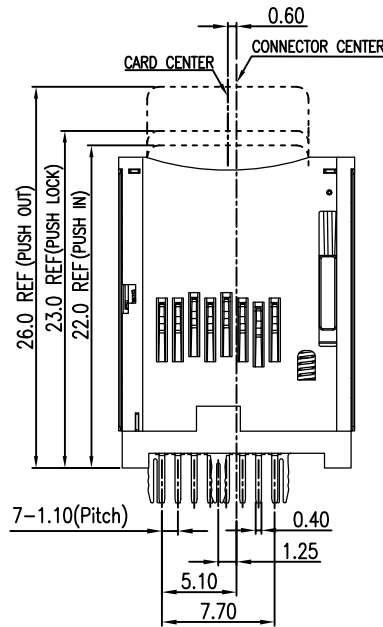
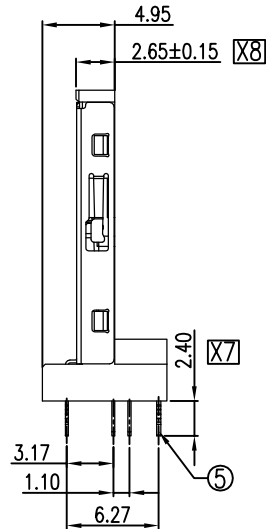
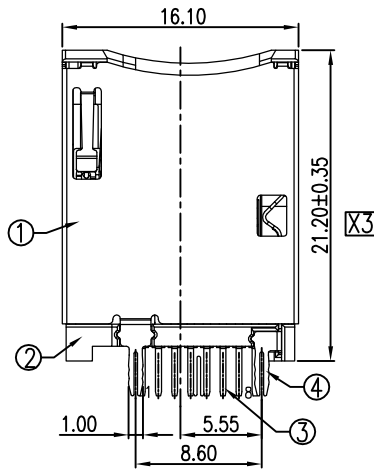
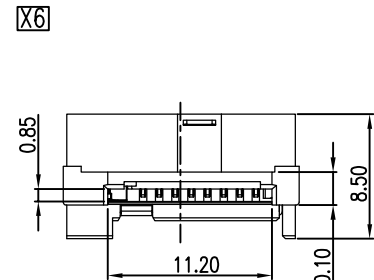
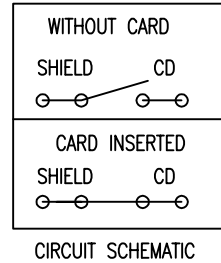
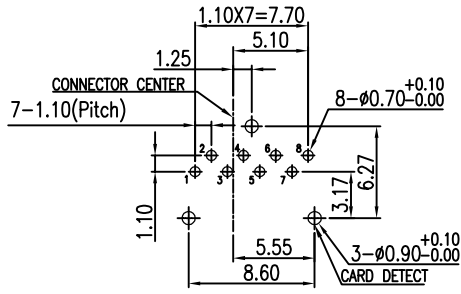


PROPRIETARY INFORMATION
COMPANY CONFIDENTIAL

REV.	ECN. NO.	DESCRIPTION	ENG	DATE
X1		INITIAL	MIKE	07/14/14'
X2		ADD THE DETECTION PIN	JANE	07/21/14'
X3		MODIFY THE PRODUCT HIGHT	JANE	07/25/14'
X4		MODIFY THE PCB LAYOUT	JANE	07/28/14'
X5		ADD PLATING SPEC	TERRY	08/26/14'
X6		MODIFY THE DRAWING	JANE	09/19/14'
X7		MODIFY PIN LENGTH	TERRY	06/12/15'
X8		ADD DIM.	DANIEL	09/22/15'

Pin#	Description
1	DAT2
2	CD/DAT3
3	CMD
4	V _{DD}
5	CLK
6	V _{SS}
7	DAT0
8	DAT1



PART. NUMBER

MSDV-21 08 - B K X 3 I
① ② ③ ④ ⑤ ⑥ ⑦

- CONNECTOR:
21: MICRO SD CRAD VERTICAL WITH PUSH DIP TYPE
- POSITIONS
08: 08 POSITION
- INSULATOR MATERIAL
B: LCP
- INSULATOR COLOR
K: BLACK
- CONTACT PLATING
1: GOLD FLASH
3: 5u" GOLD
- SHIELD PLATING
3: NICKEL PLATED
- PACKING
T: TRAY

[X5]

ITEM	NAME	Q'TY	DESCRIPTION	NOTE
5	BOARD LOCK	1	BRASS T=0.30mm	80u" TIN PLATING ON SOLDER TAIL AREA, UNDER PLATING 30u" NICKEL ALL OVER
4	CD PIN	1	PHOSPHOR BRONZE T=0.20mm	GOLD FLASH PLATED ON CONTACT AREA; 80u" TIN PLATING ON SOLDER TAIL AREA; UNDER PLATING 30u" NICKEL ALL OVER
3	CONTACT	8	PHOSPHOR BRONZE T=0.20mm	GOLD PLATED ON CONTACT AREA; 80u" TIN PLATING ON SOLDER TAIL AREA; UNDER PLATING 30u" NICKEL ALL OVER
2	HOUSING	1	LCP	UL94V-0, Black
1	SHELL	1	SUS T=0.20mm	30u" NICKEL PLATED

GENERAL TOLERANCE	ANGLE TOLERANCE	DRAWN	DATE	
X.± 0.50 .X± 0.38 .XX± 0.25 .XXX± 0.15	X°± 5.0° .X°± 3.0° .XX°± 2.0° .XXX°± 1.0°	JANE	09/22/15	
MATL	SEE BOM	CHECKED	DATE	PART NUMBER.
FINISH	SEE NOTES	TERRY	09/22/15	MSDV-2108-BKX3T
SCALE	N/A	APPROVED	DATE	DRAWING NO.
SHEET 1 OF 1	UNIT mm	DANIEL	09/22/15	GT23-250184
				SIZE A4 REV. X8