

NSL-5150

10MΩ Dark Resistance Light Dependent Resistor (LDR) CdS Photocell

The NSL-5150 CdS photocell has a minimum of 10MΩ dark resistance, packaged in a hermetically sealed TO-18 metal can.

Advanced Photonix's CdS Photocells are photoresistor cells for visible light measurement designed to sense light from 400 to 700 nm. Their resistance decreases as the light level increases with efficiency characteristics similar to the human eye. These Light Dependent Resistors (LDR) are available in a wide range of resistance values. They are available in a two-leaded plastic-coated ceramic header or hermetically sealed TO metal cans.

Applications

- Industrial
- Audio Compressors
- Night Lights
- Photography Light Meters
- Solar Street Lights
- Flame Detection

Features

- Passive Resistance output
- Hermetically Sealed TO-18
- Available in a two-leaded ceramic package
- Available in a wide range of resistance values

Absolute Maximum Ratings at $T_A=23\text{ }^\circ\text{C}$

| Parameter | Symbol | Min | Max | Unit |
|--------------------------------------|------------|-------|-----|------|
| Voltage (peak AC or DC) | V_{Peak} | - | 60 | V |
| Power Dissipation @25°C ¹ | P_O | - | 50 | mW |
| Operating Temperature | T_{OP} | -60 | +75 | °C |
| Storage Temperature | T_{STG} | -60 | +75 | °C |
| Package | | TO-18 | | |

¹ Derate linearly to 0 at 75°C

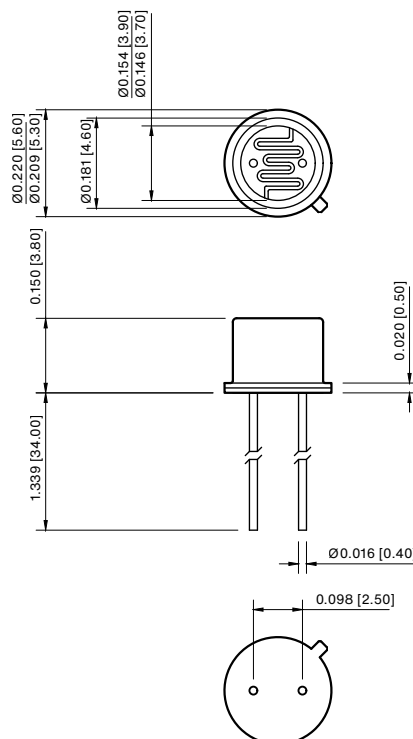
Typical Electro-Optical Specifications at $T_A=23\text{ }^\circ\text{C}$

| Parameter | Test Conditions | Symbol | Min | Typ | Max | Unit |
|------------------|--|------------------|-----|-----|-----|------------|
| Light Resistance | 2fc, 2854K ² | R_{on} | 10 | 15 | 20 | K Ω |
| | 100fc, 2854K ² | R_{on} | - | 400 | - | Ω |
| Dark Resistance | 10 sec. after removal of test light | R_{off} | 10 | - | - | M Ω |
| Spectral Peak | $\lambda=Peak$ | λ_{Peak} | - | 550 | - | nm |
| Rise Time | Time to reach 63% of its saturation value after the photocell is illuminated. | T_R | - | 55 | - | ms |
| Fall Time | Time to decay to 37% of its saturation value (~100K Ω) after the lights is removed | T_F | - | 20 | - | ms |

² Cells light adapted at 30 to 50fc for 16 hours minimum prior to electrical tests.

Mechanical Specifications

Units are in inches [mm]



Note: Lead soldering temperature (0.05" inches away from body) 260°C for 10 sec.

General Care and Handling Instructions

Photodiodes:

Handling and Storage

- Handle Photodiodes gently to prevent damage.
- Avoid exposing Photodiodes to temperatures exceeding the storage temperature rating of the device.
- Maintain a non-condensing environment for optimum performance and lifetime.

Cleaning

- Gently clean the glass (borosilicate or quartz window) using a 50/50 mixture of Methanol and isopropyl alcohol and a soft, optical-grade pad.

Special Considerations for Plastic or Epoxy Encapsulated Photodiodes

- Protect from intense light sources such as direct sunlight.
- Avoid exposure to harsh chemicals like THINNERS, ACETONE, and TRICHLOROETHYLENE.
- Cleaning with a 50/50 mixture of Methanol and isopropyl alcohol (IPA) is recommended. Cleaning in an ultrasonic bath is generally not recommended.

CdS Photocells:

Handling and Storage

- Handle CdS Photocells gently to prevent damage.
- Avoid exposing CdS Photocells to temperatures exceeding the storage temperature rating of the device.
- Maintain a non-condensing environment for optimum performance and lifetime.

Cleaning

- Gently clean the glass or plastic covering using a 50/50 mixture of Methanol and isopropyl alcohol and a soft, optical-grade pad.

Special Considerations

- DO NOT use Vapor Phase Soldering or Reflow Soldering for CdS components.

Optocouplers and LEDs:

Handling and Storage

- Handle Optocouplers and LEDs gently to prevent damage.
- Avoid exposing the devices to temperatures exceeding the storage temperature rating of the device.
- Maintain a non-condensing environment for optimum performance and lifetime.

Cleaning

- For plastic molded devices, cleaning with a 50/50 mixture of Methanol and isopropyl alcohol is recommended. Cleaning in an ultrasonic bath is generally not recommended.

Special Considerations

- Avoid exposing plastic molded devices or epoxy glob top devices to harsh chemicals like THINNERS, ACETONE, and TRICHLOROETHYLENE.

Electrostatic Discharge (ESD) Sensitivity:

- All devices are considered ESD-sensitive. They are shipped in ESD protective packaging. When unpacking and using these products, anti-ESD precautions should be observed.

Lead Trimming and Bending:

- Standard lead trimming after soldering is an acceptable practice; however, do not attempt to bend or modify the leads incorrectly, as it can damage the glass feed-through or the plastic encapsulant.

Soldering Instructions:

- Use a soldering iron with a tip temperature of 300°C max.
- Consult with your preferred solder manufacturer to determine a solder alloy and flux combination, as well as the reflow profile appropriate for your application.

General Precautions for all Devices

1. Moisture Prevention:

Ensure devices are stored in a dry environment to prevent moisture ingress, which can cause damage during soldering. Refer to J-STD-20 for guidance on proper baking procedures to prevent moisture related damage.

2. Lead Splaying:

If required, carefully splay the leads of the devices according to the specific application needs. Be cautious when splaying leads, as improper techniques may damage the device. Consult technical support or device datasheets for guidance on lead splaying.

3. Mechanical Stress:

Handle devices with care throughout the installation process to prevent damage.

4. Circuit Protection and Layout:

Optimize the circuit design and layout to ensure proper functioning and prevent damage to the devices. Include appropriate protection measures like ESD protection diodes, current-limiting resistors, and voltage regulation.

5. After-Sale Support:

For troubleshooting and device-specific inquiries, please consult with our technical support team. They can offer valuable guidance and suggestions on handling, operation, and application-related questions. To reach them, please contact the Advanced Photonix Applications group at Techsupport@advancedphotonix.com.

Legal Disclaimer

Information in this data sheet is believed to be correct and reliable. However, no responsibility is assumed for possible inaccuracies or omission. Specifications are subject to change without notice.