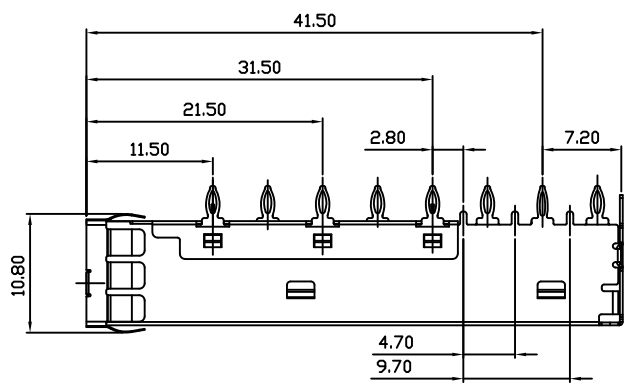


1 2 3 4 5 6 7 8

A

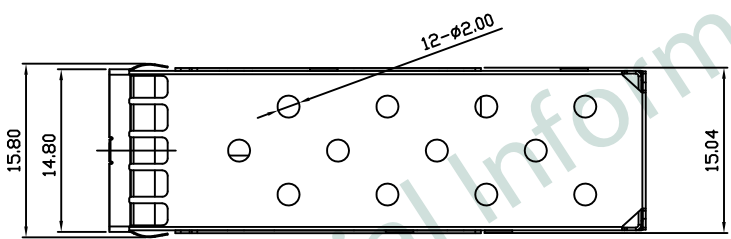


B

MATERIALS
SHELL: COPPER ALLOY, NICKEL PLATED

SPECIFIED TOLERANCE: .XXX±0.10
.XX±0.20
.X±0.30

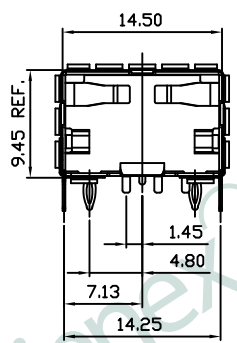
C



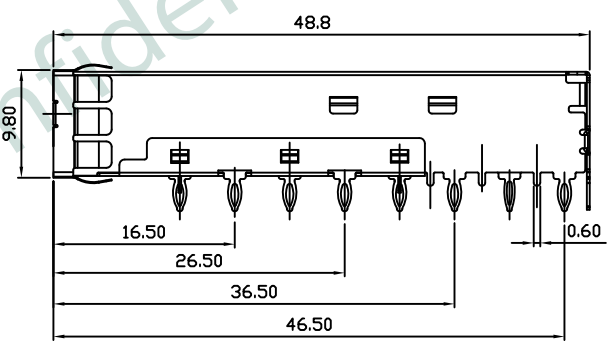
KSFP-A-PPFB-0103

TYPE
A : CAGE
P : SFP+
PF : PRESS FIT
B : EMI GASKET TAB
SERIAL NUMBER
0 : W/O LIGHT PIPE
NUMBER OF PORT

D

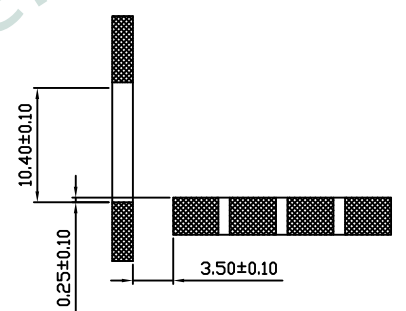
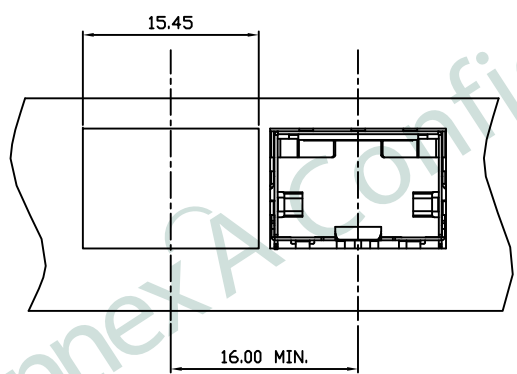
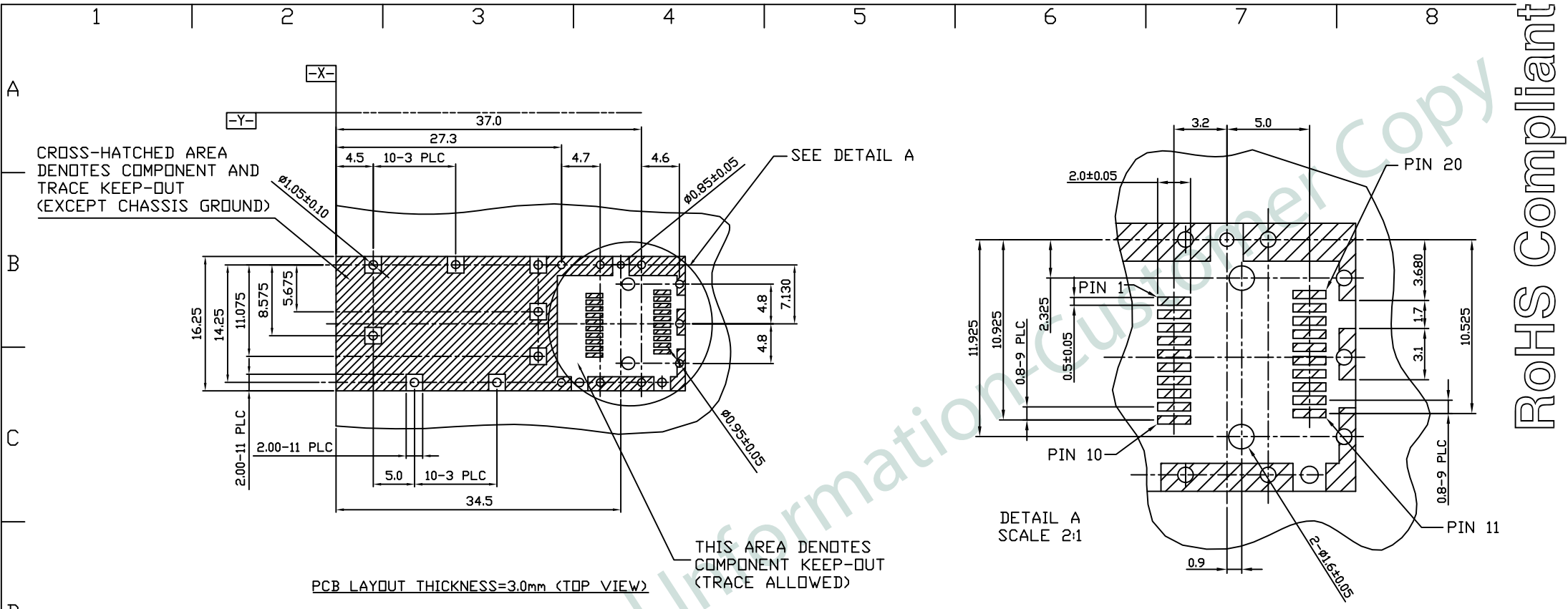


E



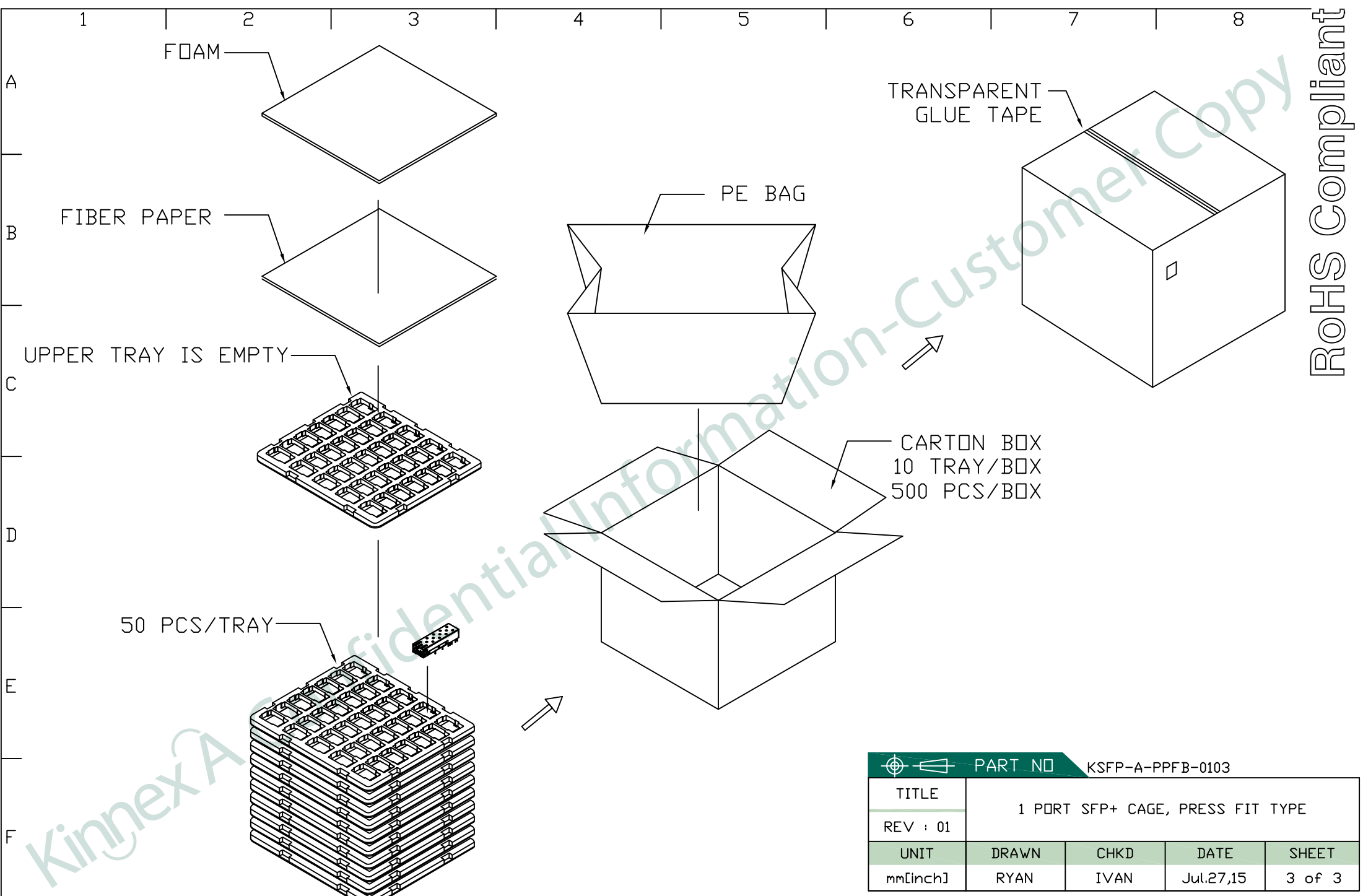
F

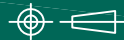
PART NO		KSFP-A-PPFB-0103		
TITLE	1 PORT SFP+ CAGE, PRESS FIT TYPE			
REV : 01				
UNIT	DRAWN	CHKD	DATE	SHEET
mm[inch]	RYAN	IVAN	Jul.27,15	1 of 3



PART NO		KSFP-A-PPFB-0103		
TITLE	1 PORT SFP+ CAGE, PRESS FIT TYPE			
REV : 01				
UNIT	DRAWN	CHKD	DATE	SHEET
mm[inch]	RYAN	IVAN	Jul.27,15	2 of 3

RoHS Compliant



 PART NO KSFP-A-PPFB-0103	
TITLE	1 PORT SFP+ CAGE, PRESS FIT TYPE
REV : 01	
UNIT	DRAWN CHKD DATE SHEET
mm[inch]	RYAN IVAN Jul.27,15 3 of 3

DWG NO KSFP-A-PPFB-0103

KinnexA, INC 8F., No.172, SEC.4, CHENGDE RD., SHILIN DIST., TAIPEI CITY 11167, TAIWAN

※ THIS DRAWING IS A CONTROLLED DOCUMENT ※

