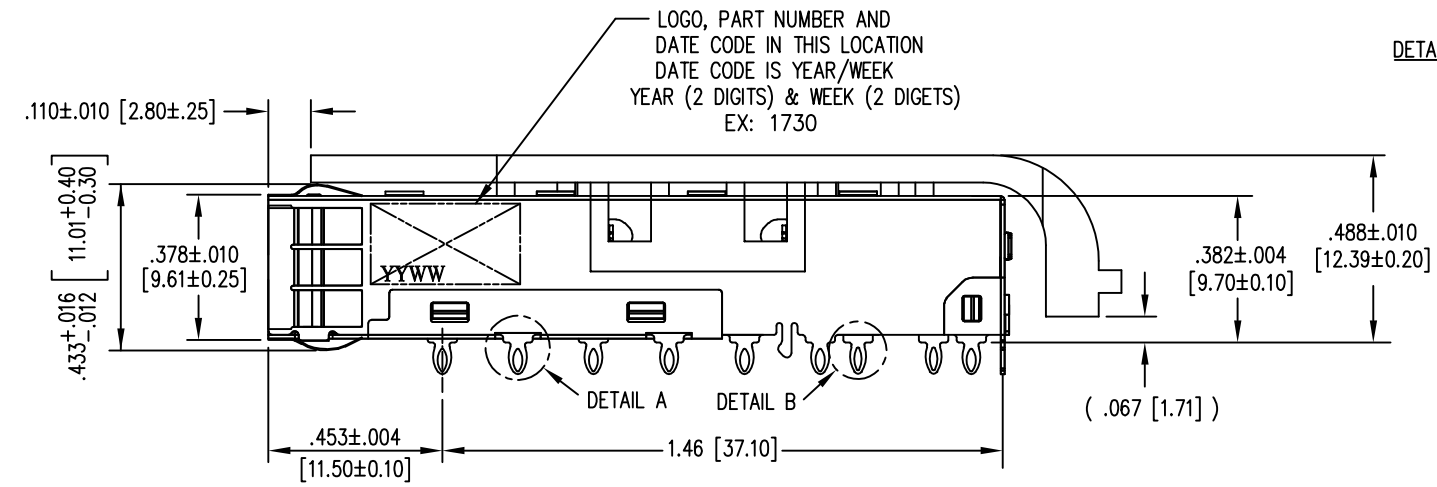
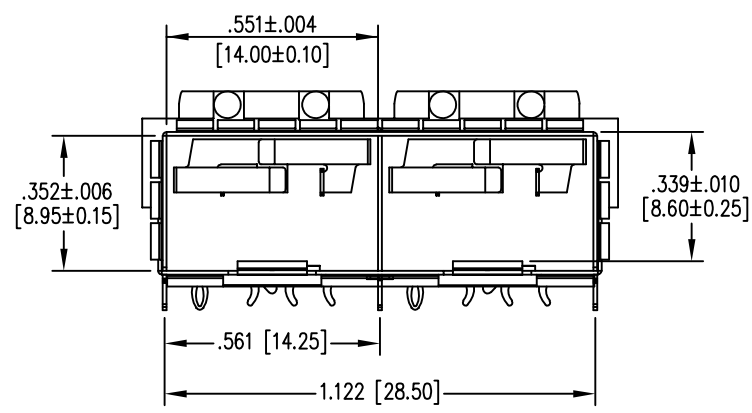
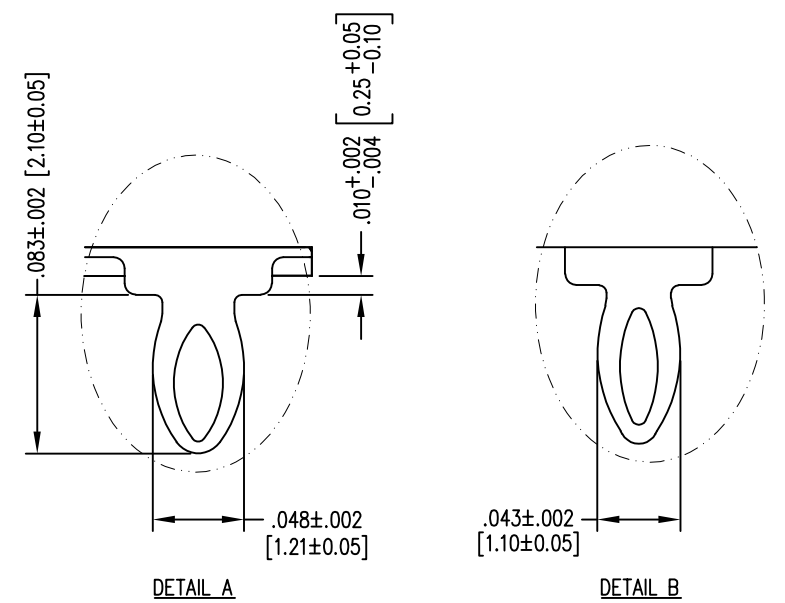
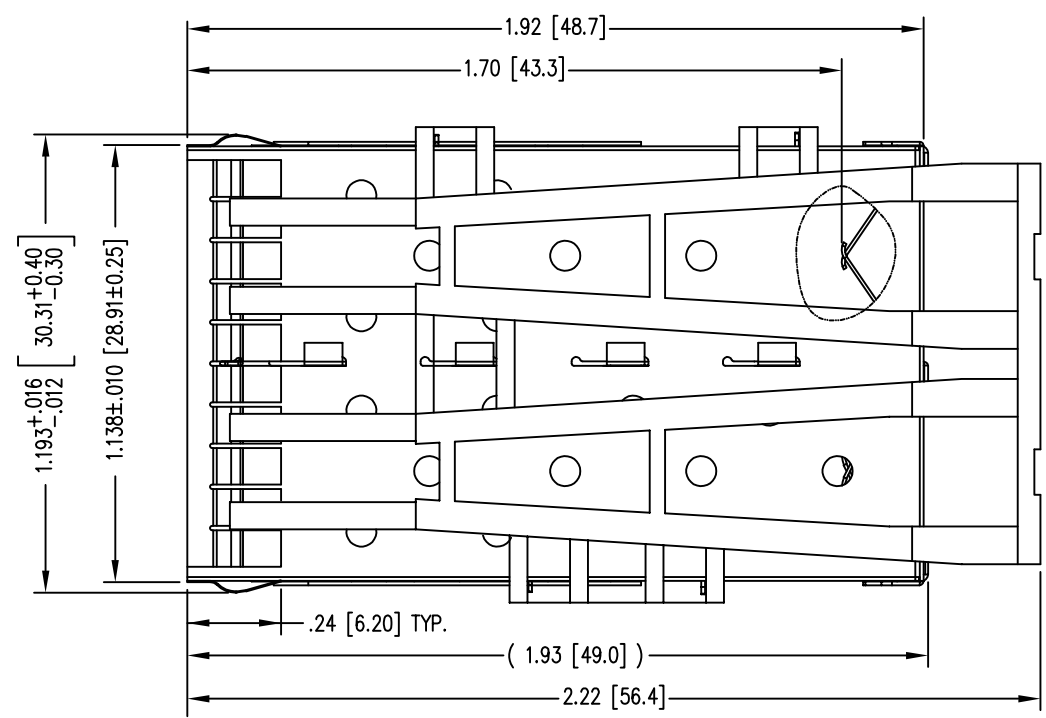
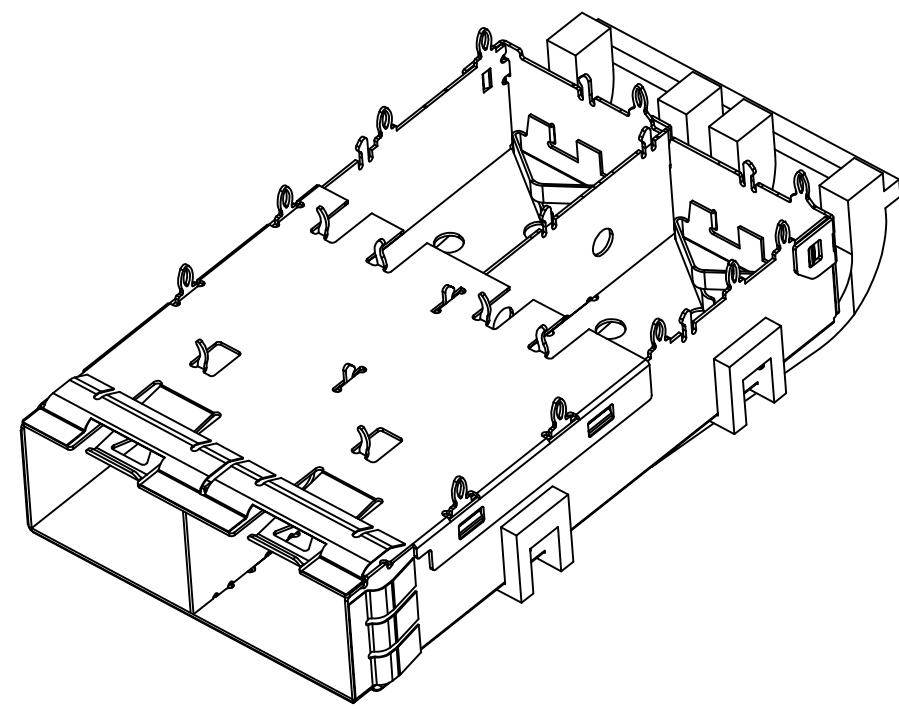


DATE	REV	ECN	APP'D. BY
9-28-17	A4	11104	DHG
8-7-18	A5	11280	TRM

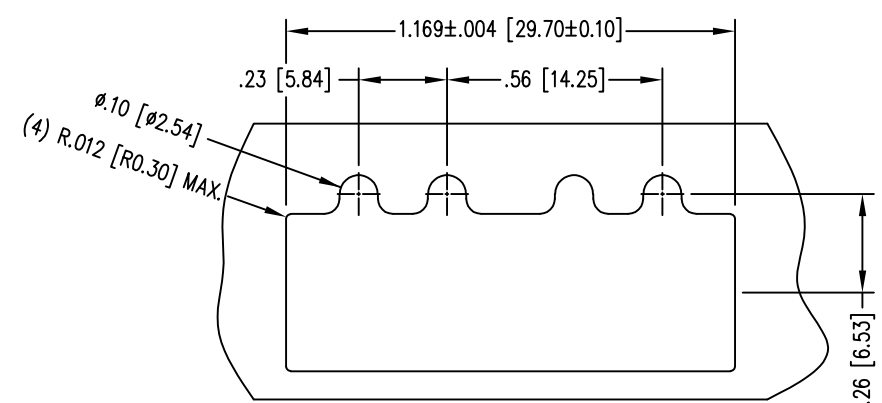


- NOTES:
- MATERIALS:
CAGE: COPPER ALLOY
EMI SPRINGS: COPPER ALLOY
LIGHT PIPE: PC UL 94V-0, COLOR: CLEAR
 - PLATING:
CAGE: NICKEL
EMI SPRINGS: NICKEL
 - TEMPERATURE:
OPERATIONAL: -40°C~+85°C
STORAGE: -55°C~+105°C
 - FOR PRODUCT SPECIFICATIONS SEE PR043-01.
 - MATES WITH SFP MSA COMPLIANT TRANSCEIVERS.

SS-79100-007
PART NUMBER

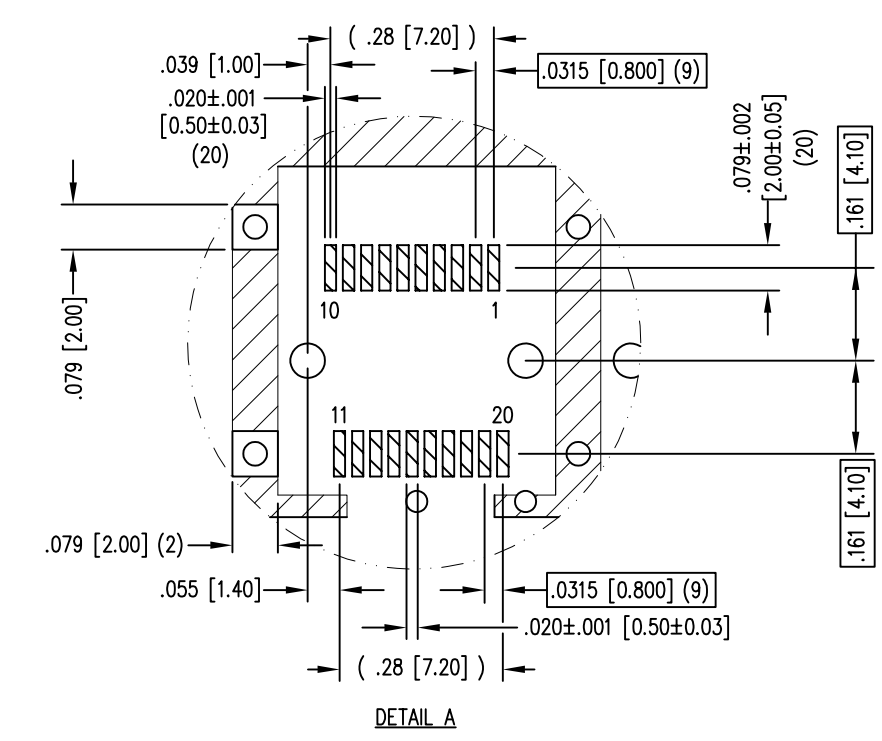
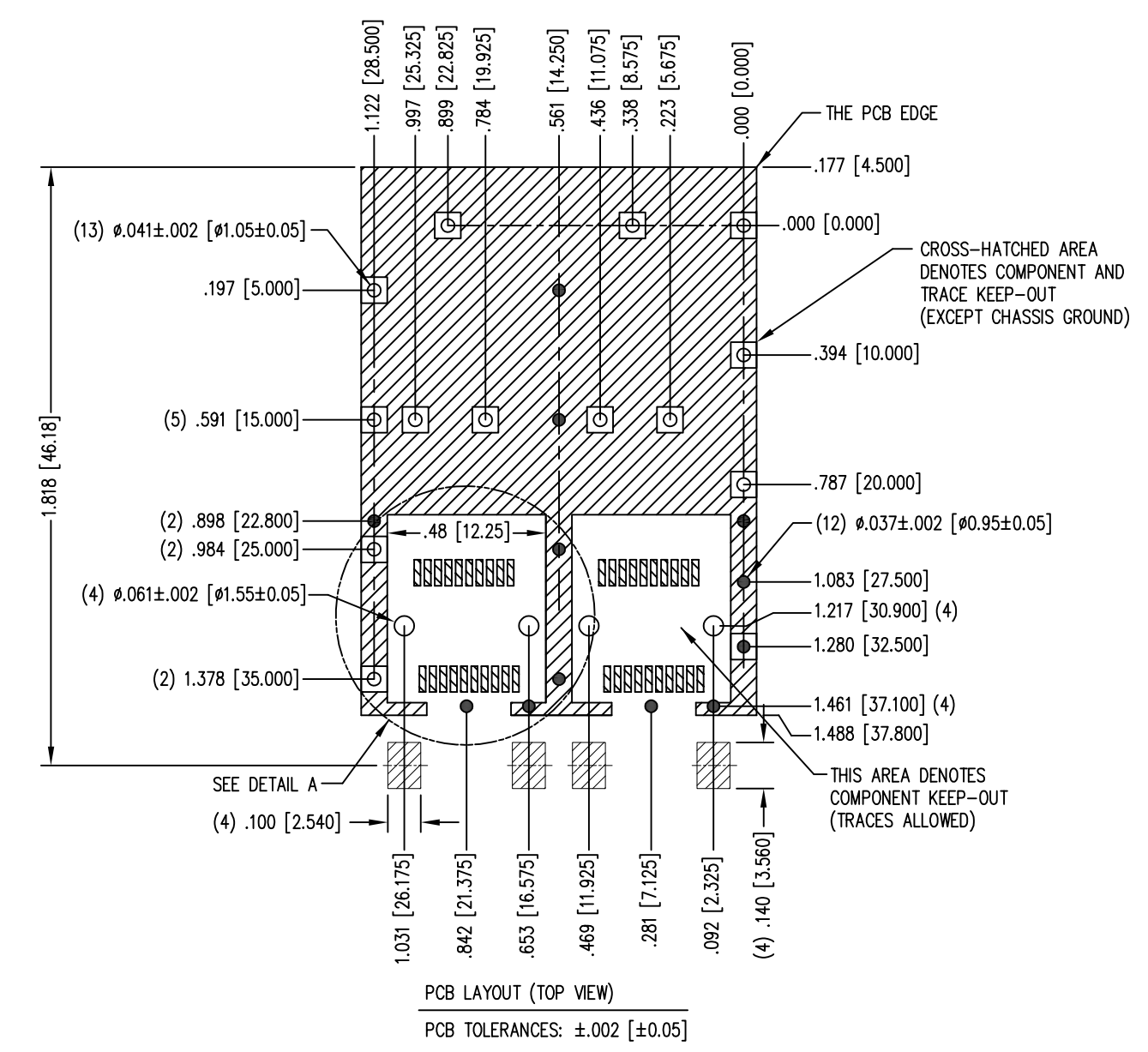
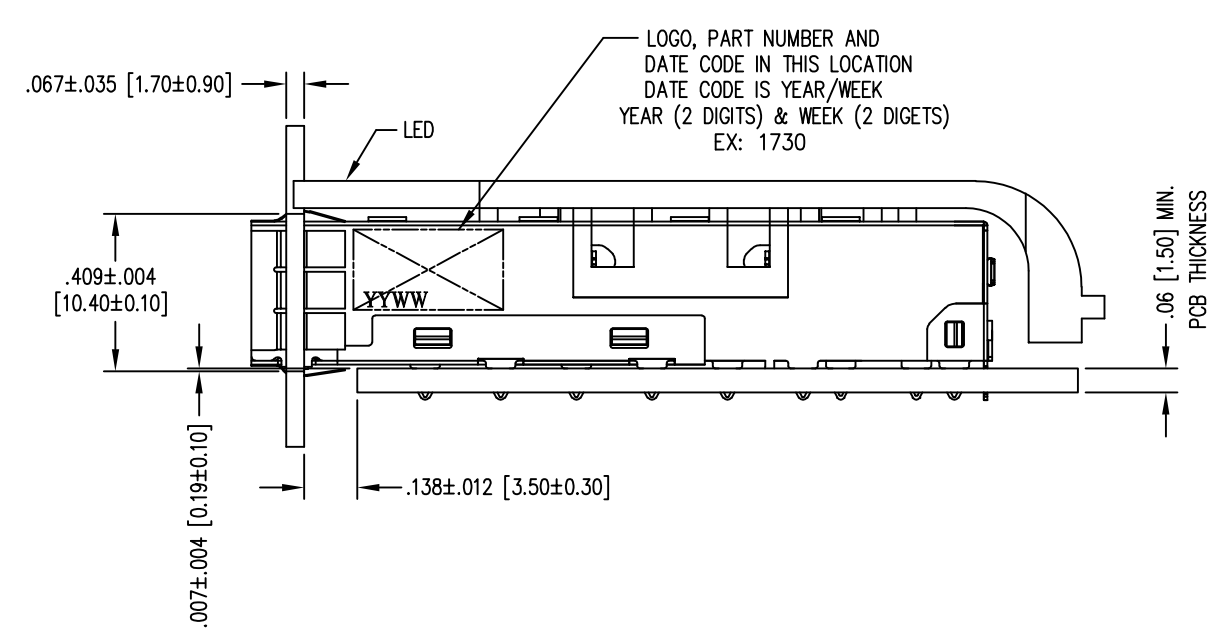


<p>THIRD ANGLE PROJECTION</p> <p>DRAWING IS SUBJECT TO CHANGE WITHOUT NOTICE</p> <p>UNLESS OTHERWISE SPECIFIED DIMENSIONS INCHES [METRIC] TOLERANCES ARE:</p> <p>ANGLES ± 2°</p> <p>1 PLC. DEC. ±.010" [±0.25]</p> <p>2 PLC. DEC. ±.005" [±0.13]</p> <p>3 PLC. DEC. ±.004" [±0.10]</p> <p>DO NOT SCALE DRAWING</p> <p>SHEET NO. 1 OF 2</p>	<p>1118 Susquehanna Trail South Glen Rock, PA 17327-9199 (717) 235-7512 http://www.stewartconnector.com</p>	<p>TITLE: SFP+ 1X2 CAGE W/LIGHT PIPE, PRESS FIT</p>											
		<p>THIS DRAWING AND THE SUBJECT MATTER SHOWN THEREON ARE CONFIDENTIAL AND THE PROPRIETARY PROPERTY OF STEWART CONNECTOR AND SHALL NOT BE REPRODUCED, COPIED, OR USED IN ANY MANNER WITHOUT PRIOR WRITTEN CONSENT OF STEWART CONNECTOR. ONE OR MORE U.S. PATENTS MAY APPLY TO THIS PRODUCT. FOR DETAILS, PLEASE VISIT: HTTP://BELFUSE.COM/STEWART/STEWART_PATENTS/</p>	<table border="1"> <tr> <td>DRN BY:</td> <td>TRM</td> <td>DATE</td> <td>6-8-17</td> </tr> <tr> <td>APPD BY:</td> <td>DHG</td> <td>DATE</td> <td>6-30-17</td> </tr> <tr> <td>DWG NO.</td> <td>CT790007</td> <td>REV.</td> <td>A5</td> </tr> </table>	DRN BY:	TRM	DATE	6-8-17	APPD BY:	DHG	DATE	6-30-17	DWG NO.	CT790007
DRN BY:	TRM	DATE	6-8-17										
APPD BY:	DHG	DATE	6-30-17										
DWG NO.	CT790007	REV.	A5										



SUGGESTED PANEL OPENING SINGLE SIDE APPLICATIONS

THE SUGGESTED PANEL OPENING IS INTENDED TO GIVE USERS THE ABILITY TO HAVE REASONABLE CAGE/PANEL CLEARANCES, YET MAINTAIN GROUNDING CAPABILITY. THESE VARIABLES CAN BE ADJUSTED IN EITHER DIRECTION BUT MAY CARRY SOME CONSEQUENCES IN THE FORM OF LOWER MATING FORCES OR TIGHTER ASSEMBLY TOLERANCES.



<p>THIRD ANGLE PROJECTION</p> <p>DRAWING IS SUBJECT TO CHANGE WITHOUT NOTICE</p> <p>UNLESS OTHERWISE SPECIFIED DIMENSIONS INCHES [METRIC]</p> <p>TOLERANCES ARE:</p> <p>ANGLES ± 2°</p> <p>1 PLC. DEC. ±.010" [±0.25]</p> <p>2 PLC. DEC. ±.005" [±0.13]</p> <p>3 PLC. DEC. ±.004" [±0.10]</p> <p>DO NOT SCALE DRAWING</p> <p>SHEET NO. 2 OF 2</p>	<p>1118 Susquehanna Trail South Glen Rock, PA 17327-9199 (717) 235-7512 http://www.stewartconnector.com</p>						
<p>TITLE: SFP+ 1X2 CAGE W/LIGHT PIPE, PRESS FIT</p> <p>THIS DRAWING AND THE SUBJECT MATTER SHOWN THEREON ARE CONFIDENTIAL AND THE PROPRIETARY PROPERTY OF STEWART CONNECTOR AND SHALL NOT BE REPRODUCED, COPIED, OR USED IN ANY MANNER WITHOUT PRIOR WRITTEN CONSENT OF STEWART CONNECTOR. ONE OR MORE U.S. PATENTS MAY APPLY TO THIS PRODUCT. FOR DETAILS, PLEASE VISIT: HTTP://BELFUSE.COM/STEWART/STEWART_PATENTS/</p>	<table border="1"> <tr> <td>DRN BY: TRM</td> <td>DATE: 6-8-17</td> </tr> <tr> <td>APPD BY: DHG</td> <td>DATE: 6-30-17</td> </tr> <tr> <td>DWG NO. CT790007</td> <td>REV. A5</td> </tr> </table>	DRN BY: TRM	DATE: 6-8-17	APPD BY: DHG	DATE: 6-30-17	DWG NO. CT790007	REV. A5
DRN BY: TRM	DATE: 6-8-17						
APPD BY: DHG	DATE: 6-30-17						
DWG NO. CT790007	REV. A5						

