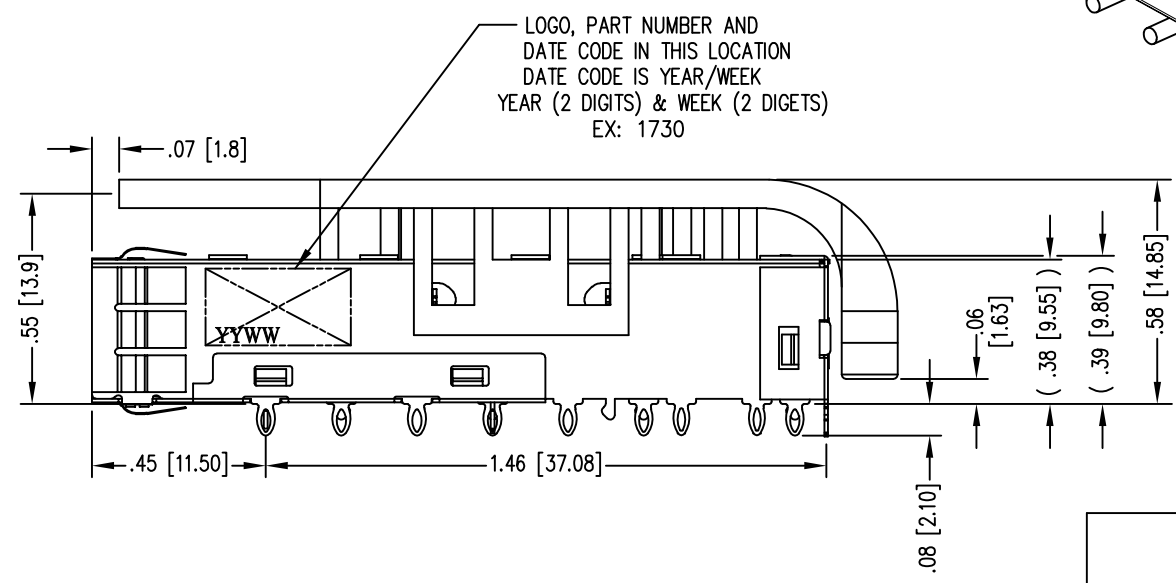
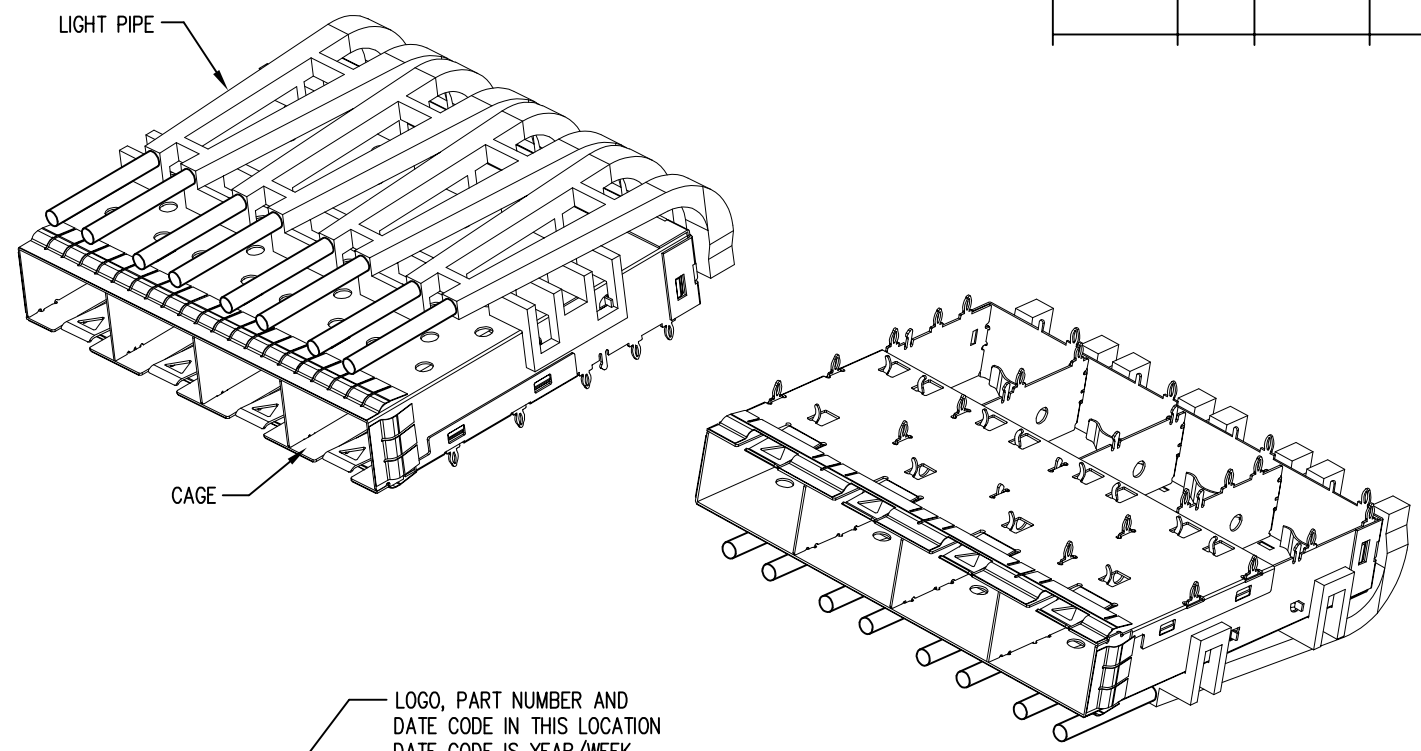
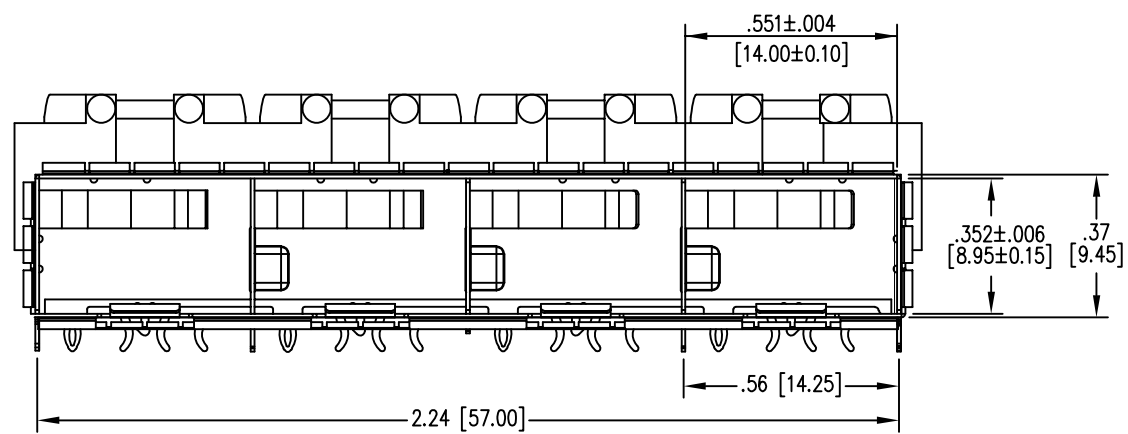
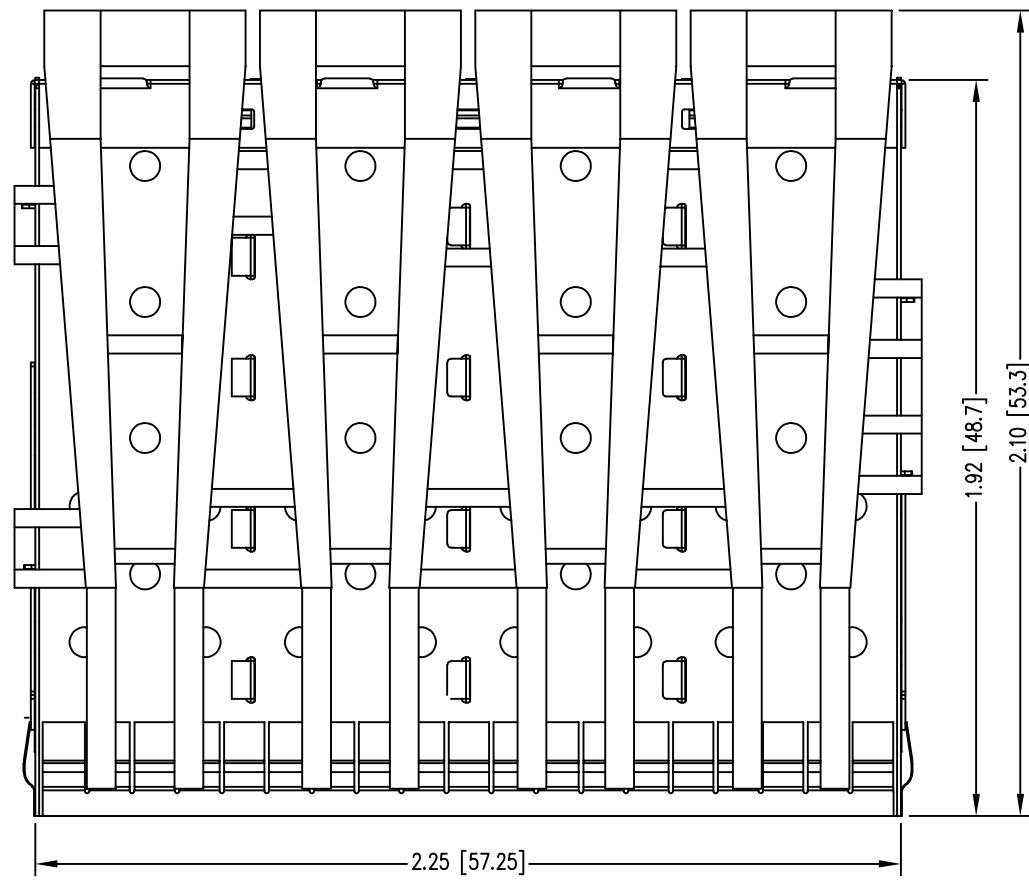


DATE	REV	ECN	APP'D. BY
8-11-17	A4	11061	TRM
8-16-17	A5	11066	TRM
9-28-17	A6	11104	TRM

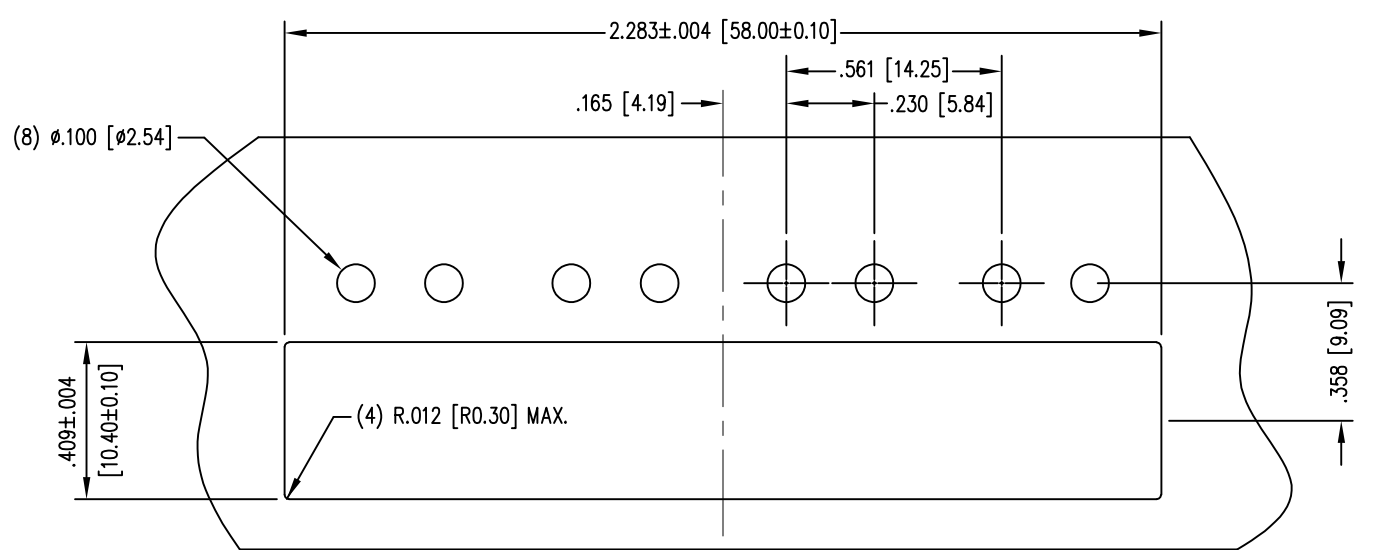


- NOTES:
- MATERIALS:
CAGE: COPPER ALLOY
EMI SPRINGS: COPPER ALLOY
LIGHT PIPE: PC UL 94V-0, COLOR: CLEAR
 - PLATING:
CAGE: NICKEL
EMI SPRINGS: NICKEL
 - TEMPERATURE:
OPERATIONAL: -40°C~+85°C
STORAGE: -55°C~+105°C
 - FOR PRODUCT SPECIFICATIONS SEE PR043-01.
 - MATES WITH SFP MSA COMPLIANT TRANSCEIVERS.

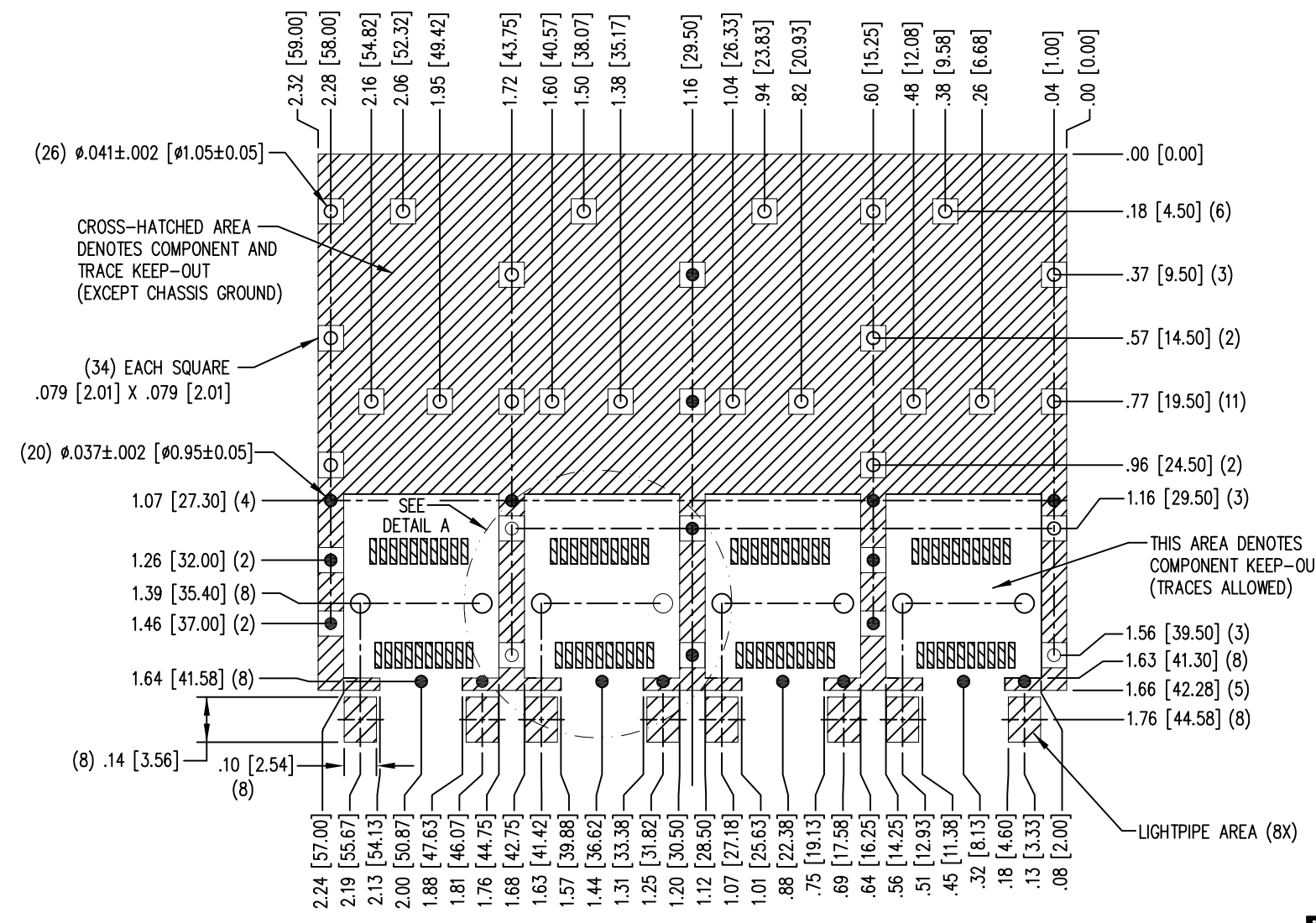
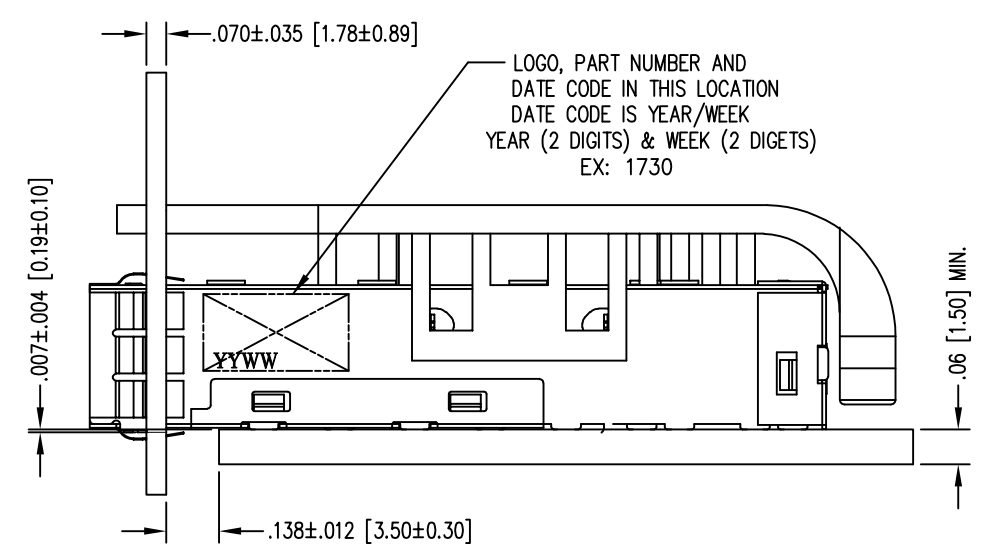
SS-79100-009
PART NUMBER



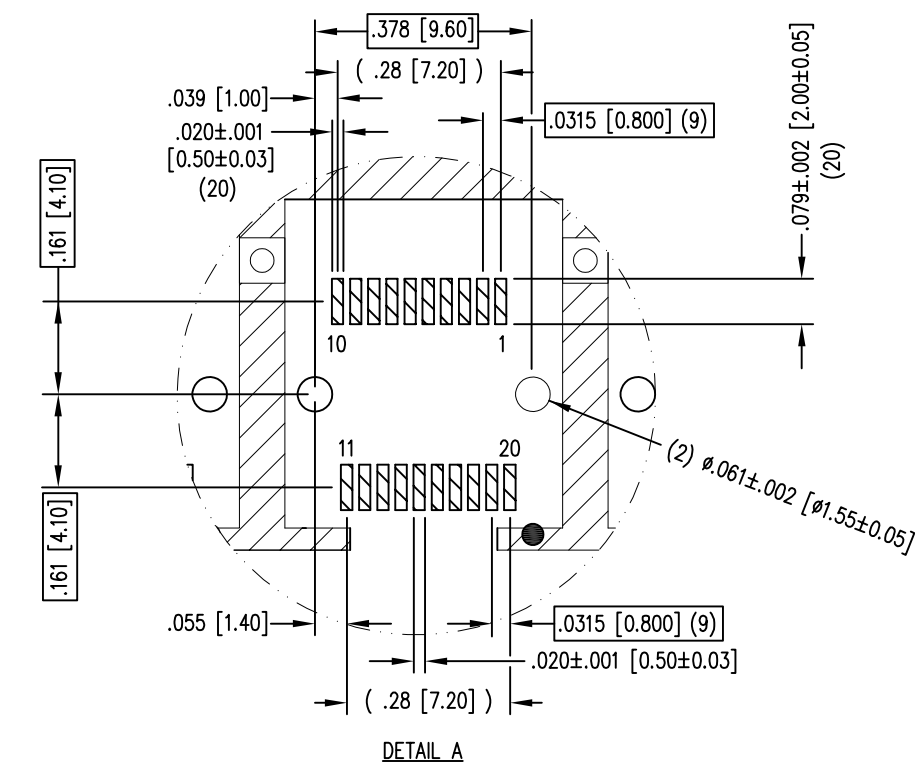
THIRD ANGLE PROJECTION		1118 Susquehanna Trail South Glen Rock, PA 17327-9199 (717) 235-7512 http://www.stewartconnector.com	
<p>DRAWING IS SUBJECT TO CHANGE WITHOUT NOTICE</p> <p>UNLESS OTHERWISE SPECIFIED DIMENSIONS INCHES [METRIC] TOLERANCES ARE:</p> <p>ANGLES ± 2°</p> <p>1 PLC. DEC. ±.010" [±0.25]</p> <p>2 PLC. DEC. ±.008" [±0.20]</p> <p>3 PLC. DEC. ±.004" [±0.10]</p> <p>DO NOT SCALE DRAWING</p>		<p>TITLE: SFP+ 1X4 CAGE W/LIGHT PIPE, PRESS FIT</p> <p>THIS DRAWING AND THE SUBJECT MATTER SHOWN THEREON ARE CONFIDENTIAL AND THE PROPRIETARY PROPERTY OF STEWART CONNECTOR AND SHALL NOT BE REPRODUCED, COPIED, OR USED IN ANY MANNER WITHOUT PRIOR WRITTEN CONSENT OF STEWART CONNECTOR. ONE OR MORE U.S. PATENTS MAY APPLY TO THIS PRODUCT. FOR DETAILS, PLEASE VISIT: HTTP://BELFUSE.COM/STEWART/STEWART_PATENTS/</p>	
SHEET NO. 1 OF 2		DRN BY: TRM	DATE: 6-12-17
		APPD BY: DHG	DATE: 6-30-17
		DWG NO. CT790009	REV. A6



BEZEL AND BOARD POSITION DIMENSIONS



PCB LAYOUT THICKNESS = .118 [3.0] (TOP VIEW)
 PCB TOLERANCES: ±.002 [±0.05]



DETAIL A

<p>THIRD ANGLE PROJECTION</p> <p>DRAWING IS SUBJECT TO CHANGE WITHOUT NOTICE</p> <p>UNLESS OTHERWISE SPECIFIED DIMENSIONS INCHES [METRIC]</p> <p>TOLERANCES ARE:</p> <p>ANGLES ± 2°</p> <p>1 PLC. DEC. ±.010" [±0.25]</p> <p>2 PLC. DEC. ±.008" [±0.20]</p> <p>3 PLC. DEC. ±.004" [±0.10]</p> <p>DO NOT SCALE DRAWING</p> <p>SHEET NO. 2 OF 2</p>	<p>1118 Susquehanna Trail South Glen Rock, PA 17327-9199 (717) 235-7512 http://www.stewartconnector.com</p> <p>TITLE: SFP+ 1X4 CAGE W/LIGHT PIPE, PRESS FIT</p> <p>THIS DRAWING AND THE SUBJECT MATTER SHOWN THEREON ARE CONFIDENTIAL AND THE PROPRIETARY PROPERTY OF STEWART CONNECTOR AND SHALL NOT BE REPRODUCED, COPIED, OR USED IN ANY MANNER WITHOUT PRIOR WRITTEN CONSENT OF STEWART CONNECTOR. ONE OR MORE U.S. PATENTS MAY APPLY TO THIS PRODUCT. FOR DETAILS, PLEASE VISIT: HTTP://BELFUSE.COM/STEWART/STEWART_PATENTS/</p>	<p>DRN BY: TRM DATE 6-12-17</p> <p>APPD BY: DHG DATE 6-30-17</p> <p>DWG NO. CT790009 REV. A6</p>
---	--	--