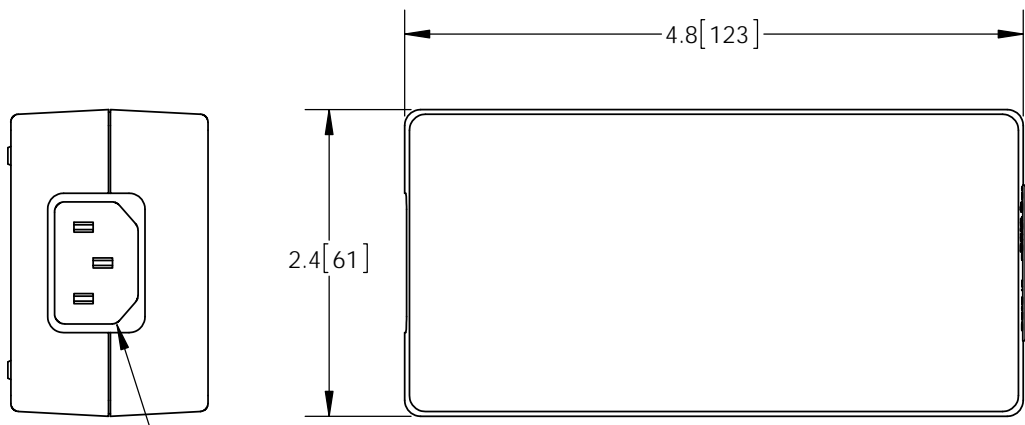
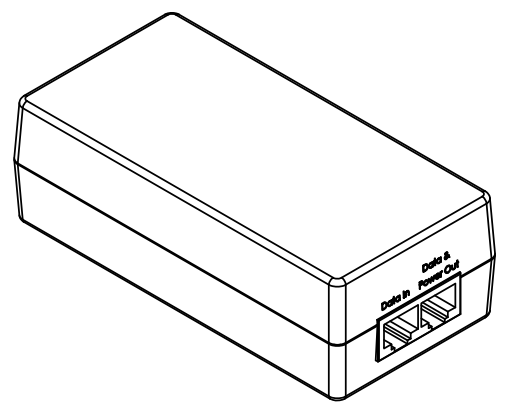
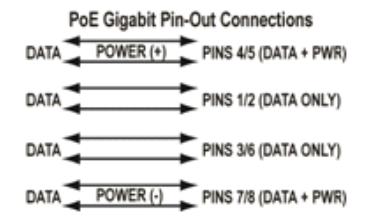
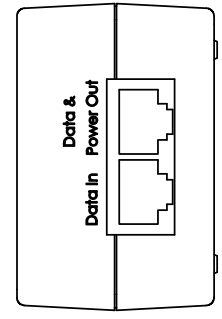


THE INFORMATION CONTAINED IN THIS DRAWING IS THE SOLE PROPERTY OF L-COM, INC. ANY REPRODUCTION IN PART OR WHOLE WITHOUT THE WRITTEN PERMISSION OF L-COM, INC. IS PROHIBITED.

REVISIONS			
REV	DESCRIPTION	DATE	APPROVED
A	INITIAL RELEASE	05/20/16	D.FRISIELLO



IEC320/C14



NOTES:
PACKAGING:
 SHALL BE PACKAGED AS PER L-COM SPEC PKG-00091

- ALL DIMENSIONS FOR REFERENCE ONLY -

REGULATORY COMPLIANCE:
 CE2011/65/EU(RoHS DIRECTIVE)

UNLESS OTHERWISE SPECIFIED, DIMENSIONS ARE IN INCHES [mm] DIMENSIONAL TOLERANCES: .X = ±.1 [2.54] .XX = ±.01 [.25] .XXX = ±.005 [.13] ANGULAR TOLERANCES: ALL = ± 1°	APPROVALS	DATE			50 HIGH STREET NORTH ANDOVER, MA 01845		
	DRAWN BY B.PUCHASKI	05/20/16			CATEGORY		POWER PRODUCTS
	CONFIGURATION DETAILS OF UNDIMENSIONED FEATURES MAY VARY	CHECKED BY K.BURGNER	05/20/16	PRODUCT DESCRIPTION		DESKTOP 48VDC GIGABIT PoE INJECTOR W/ 60W POWER SUPPLY	
PROJECTION	COLOR VARIATIONS MAY OCCUR	APPROVED BY P.PESA	05/20/16	SIZE A	FSCM NO. 43321	DWG. NO. PS4860GB-POE	REV. A
				SCALE: NONE	CAD FILE: PS4860GB-POE.SLDDRW	SHEET 1 OF 1	