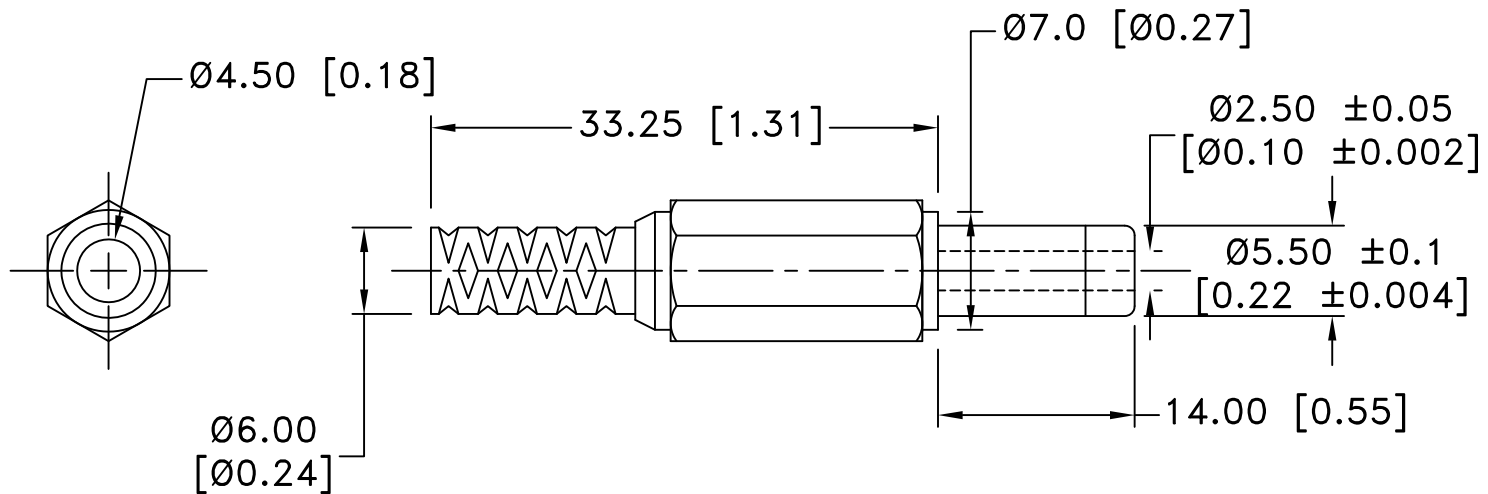


Date	SYM	REVISION RECORD	AUTH	DR.	CK.
08/14/15	B	UPDATED NOTES	T.B.	B.S.	
08/21/15	C	DIM. 4.50 WAS 4.0 DIM. 6.0 WAS 5.50 REMOVED DIM. 45.40, 18.50, 13.10 ADDED DIM. 33.25	T.B.	B.S.	
06/16/17	D	ADDED TEMP. RANGE	T.B.	B.S.	
06/27/17	E	ADDED TOLERANCE TO Ø2.50 AC 500V WAS AC 500C	T.B.	B.S.	



NOTES:

MAX. RATING: 12V 5A.

MATERIAL:


- 1) INSULATOR: ABS
- 2) PLUG: BRASS, NICKEL PLATED
- 3) COVER: PP

TEMPERATURE RANGE: -40°C TO 80°C

DIELECTRIC STRENGTH: AC 500V/1MIN.

INSULATION RESISTANCE: DC 500V/100MΩ

ROHS 2 COMPLIANT

Tolerance (Except as noted)	 Memory Protection Devices, Inc 200 Broad Hollow Road, Farmingdale, New York 11735		
	decimal ±.5 (.020)	Scale	Drawn By B.S. Approved By T.B.
Fractional ± .8 (.030)	Title DC PLUG- 2.5mm MOLDED WITH STRAIN RELIEF		
Angular ± 3°	Date 06/27/17	Drawing Number EP502-B	