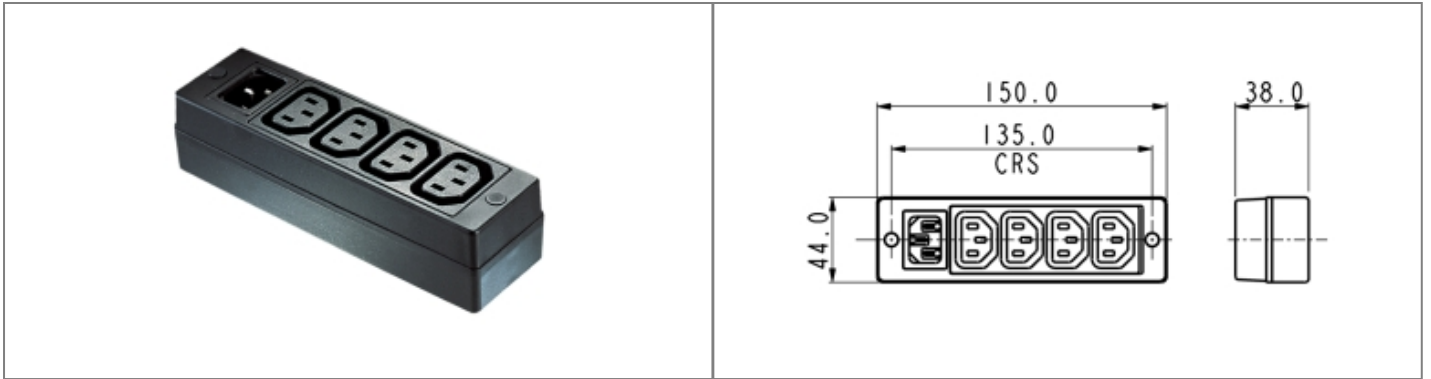


## Product Name // Box Style Compact Rectangular IEC Distribution Unit PXD200 EN60320 Inlet 4 Outlet

[View Product Page](#)


### // Product Description:

- ⊞ Box Style Compact Rectangular IEC Distribution Unit
- ⊞ Choice of power input depending on part code prefix:
- ⊞ PX200: Single integral EN60320 Inlet
- ⊞ PX201: BS1363 plug on 2M cable
- ⊞ PX201/1: CEE7 Sheet VII Schuko plug on 2M cable
- ⊞ PX201/2: NEMA 5/15 plug on 2M cable
- ⊞ 4 Outlets

### // General Information:

Product Display Title:	Box Style Compact Rectangular IEC Distribution Unit
Product Family:	IEC Connectors
Product Series:	IEC Distribution Units
Approvals:	cUL
Body Material:	ABS
Current Max:	10A
Filter Type:	Unfiltered
Flamability Rating:	UL94V-0
Function:	Rectangular Units
Inlet Type:	EN60320 Inlet
Max Operating Temperature:	+60°C
Min Operating Temperature:	-5°C
Number Of Contacts:	3 Contacts
Number Of Outlets:	4 Outlet
Rohs Compliant:	Yes
Voltage Max:	250V

#### // Product PDF Links

[Power Distribution Units product...](#)

#### // Product 3D CAD Model Links

[PXD2003D CAD Model](#)