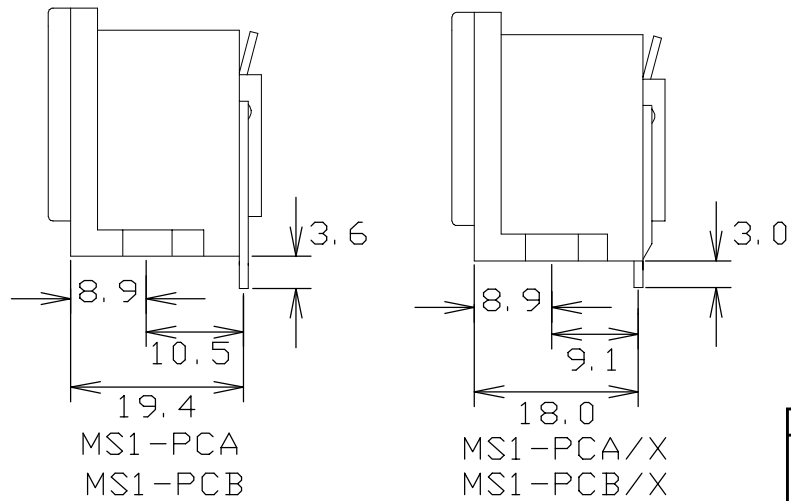
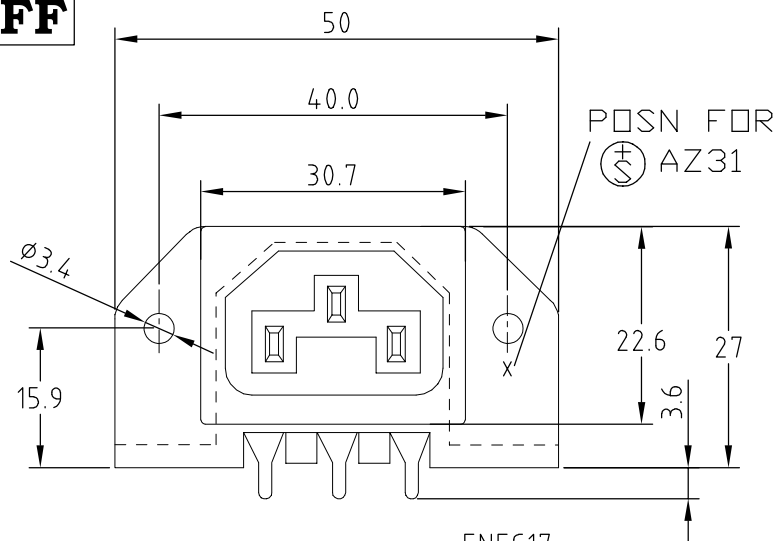


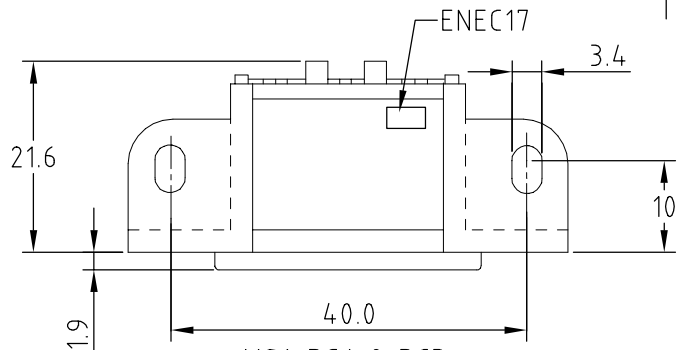
CLIFF



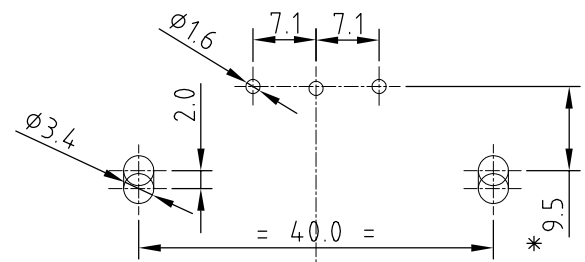
ISS.	AMEND	DATE
1	REDRAWN	20/12/89
2	F.F DIM CHNG	25/07/91
3	APP MARK ADD	14/02/92
4	ERROR CORRECT	07/07/95
5	ENEC17 ADD	07/03/03
6	REMOVE CSA. RoHS+	16/06/08
7	UL MARK REMOVED	24/01/17

VARIANTS

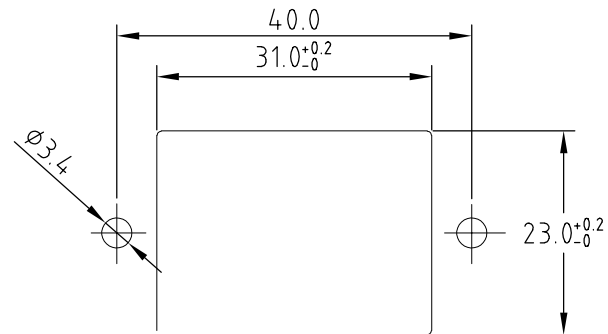
MODEL	P/No.
MS1-PCA/BLK	CL 19210
MS1-PCA/X-BLK	CL 192101
MS1-PCB/BLK	CL 19211
MS1-PCB/X-BLK	CL 192111



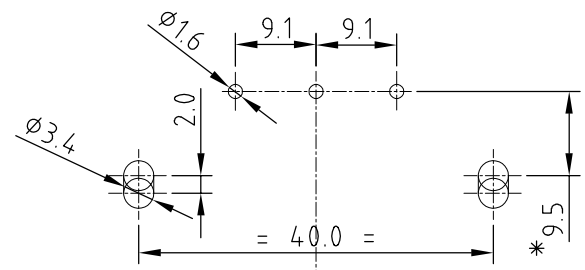
MS1-PCA & PCB



PC LAYOUT MS1-PCA



MS1-PCA & PCB



PC LAYOUT MS1-PCB

RATED 10A. 250V AC

*8.0 FOR 'X' VARIANT

APPROVED ENEC17 FOR ALL EC COUNTRIES

RoHS COMPLIANT

TOLERANCE
 NO DEC. PLACE ± 0.50
 1 DEC. PLACE ± 0.20
 2 DEC. PLACE ± 0.10
 HOLE Ø ± 0.10
 ANGLES ± 1°
 UNLESS OTHERWISE STATED

DO NOT SCALE

Cliff Electronic Components Ltd.

DIMENSIONS IN MILLIMETERS UNLESS OTHERWISE STATED. WORK TO DIMENSIONS. REMOVE ALL BURRS. IF IN DOUBT ASK.

3rd ANGLE PROJECTION:

76 Holmetherpe Avenue, Holmetherpe Industrial Estate, Redhill, Surrey, RH1 2PF, England, UK
 Tel: 01737-771375 Fax: 01737-766012 Website: www.cliffuk.co.uk

MATERIAL: POLYAMIDE / BRASS
 FINISH: AS MOULDED

TITLE: PC MOUNTING IEC INLET MS1-PC

THE CONTENTS OF THIS DOCUMENT MUST NOT BE COPIED OR DISCLOSED TO A 3rd PARTY WITHOUT WRITTEN PERMISSION OF CLIFF UK. © 1989

DRAWN: C.A.M.J.

APPROVED: RWT

DRWG. No. **CL 19210**

FORM: A4DRWGH