
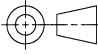


1. PART NUMBER AND CHARACTERISTICS

TE Part No	Rev	Location of Use	Length	Wire Size	Plug Type	Connector Type	Cord Type	Electrical Rating	Mfr Part No
2079499-1	A	North America	90.00 inch	16 AWG	NEMA 5-15P	IEC 60320 C-13	SJT	125 V, 13 A 60°C	212013-01
2079499-2	A	Europe	2500	1 mm <sup>2</sup>	IEC 884/CEE7-VII	IEC 60320 C-13	H05VV-F	250 V, 10 A 60°C	364002-D01
2079499-3	A	U. K.	2500	1 mm <sup>2</sup>	BS1363A	IEC 60320 C-13	H05VV-F	250 V, 10 A 70°C	370001-E01
2079499-4	A	Japan	2500	1.25 mm <sup>2</sup>	JIS 8303	IEC 60320 C-13	VCTF	125 V, 12 A 70°C	397002-01
2079499-5	A	Australia	2500	1 mm <sup>2</sup>	AS3112	IEC 60320 C-13	SAA	250 V, 10 A 70°C	374003-A01
2079499-6	B	North America	90.00 inch	18 AWG	NEMA 5-15P	IEC 60320 C-13	SJT	125V, 10 A 60°C	312008-01

- 1.1. All dimensions are nominal unless otherwise specified
- 1.2. Jacket color: black
- 2. RECOMMENDED MANUFACTURER  
 Qualtek Electronics Corporation  
[www.qualtekusa.com](http://www.qualtekusa.com)  
 or Tyco Electronics Engineering approved equivalent.

<b>COMMERCIAL ITEM SPECIFICATION</b>		MATERIAL						
		FINISH						
© 2009 Tyco Electronics Corporation, Harrisburg, PA All International Rights Reserved				DIMENSIONS IN mm	NO	REV	LOC	DIST
					<b>2079499</b>	<b>B</b>	<b>B</b>	<b>31</b>
				TITLE				
				<b>CORD, POWER, UNSHIELDED, 3 CONDUCTOR</b>				
B	Add -6	JNB	22OCT09	SHEET 1 OF 1				
REV	ENGINEERING CHANGE	CHK	DATE					