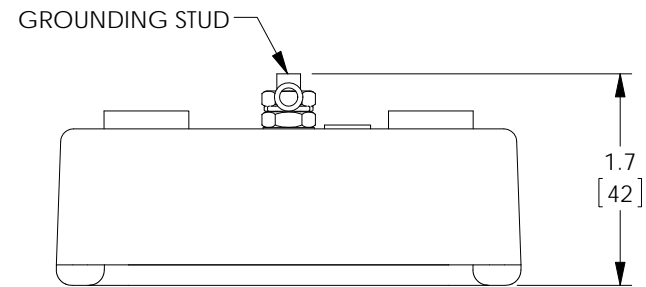
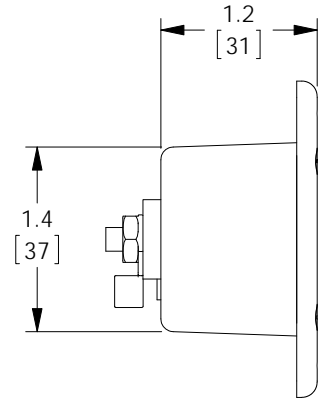
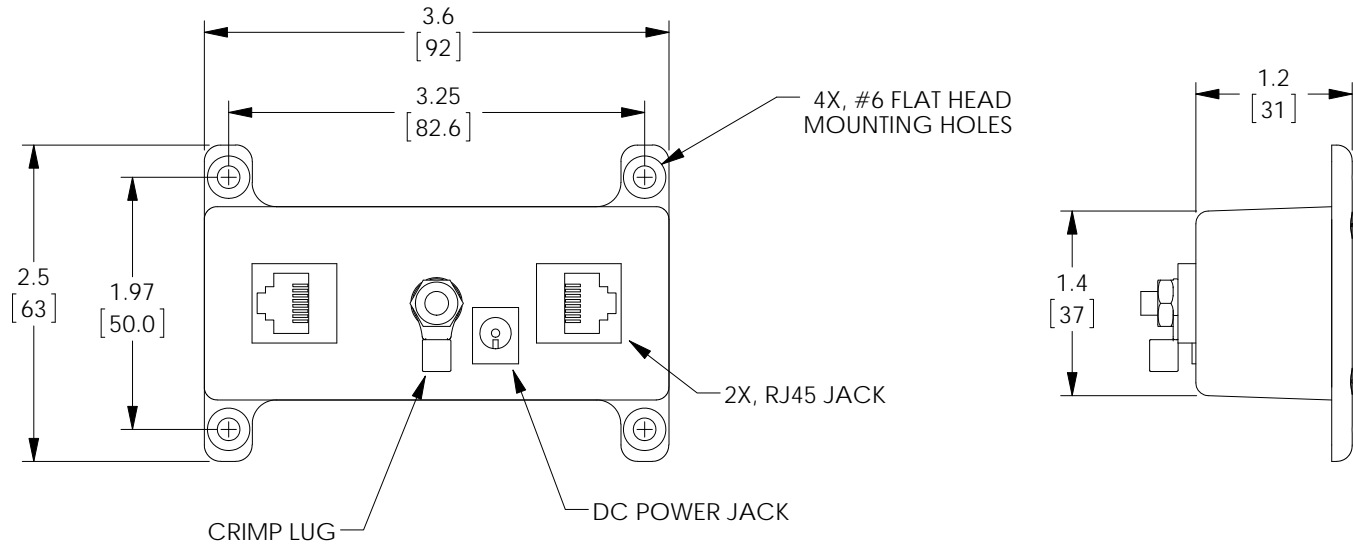


THE INFORMATION CONTAINED IN THIS DRAWING IS THE SOLE PROPERTY OF L-COM, INC. ANY REPRODUCTION IN PART OR WHOLE WITHOUT THE WRITTEN PERMISSION OF L-COM, INC. IS PROHIBITED.

REVISIONS			
REV	DESCRIPTION	DATE	APPROVED
A	INITIAL RELEASE	9/30/16	D.GRIFFIN



**NOTES:**

COMPONENT ASSEMBLY SHALL BE INDIVIDUALLY PACKAGED IN ACCORDANCE WITH L-COM SPECIFICATION PKG-00012.

REGULATORY COMPLIANCE:  
CE2011/65/EU(RoHS DIRECTIVE)

UNLESS OTHERWISE SPECIFIED, DIMENSIONS ARE IN INCHES [mm]  DIMENSIONAL TOLERANCES: .X = ±.1 [2.54] .XX = ±.01 [.25] .XXX = ±.005 [.13]  ANGULAR TOLERANCES: ALL = ± 1°	APPROVALS	DATE			50 HIGH STREET NORTH ANDOVER, MA 01845		
	DRAWN BY B.PUCHASKI	09/29/16				CATEGORY	POWER OVER ETHERNET
	PROJECTION	CHECKED BY P.PESA	09/29/16	PRODUCT DESCRIPTION <b>BT-CAT5-P1 PoE INJECTOR</b>			
	APPROVED BY P.PESA	09/29/16	CONFIGURATION DETAILS OF UNDIMENSIONED FEATURES MAY VARY				SIZE <b>A</b>
COLOR VARIATIONS MAY OCCUR		SCALE: NONE		CAD FILE: BT-CAT5-P1.SLDDRW		SHEET 1 OF 1	