



- Miniature power relay
- 4 change over contacts
- Hand operation
- Position indicator via LED (optional)
- Plug-in housing



Technical data

1. Contact data

Number / Type of contacts: 4 / CO
 Contact material: AgNi
 AgNi/Au 5µm (gold plated contacts;
 Type RMXXX .02 X-N)
 Rated switching voltage: 250V
 Max. switching voltage: 250V
 Min. switching voltage: 10V
 5V (gold plated contacts)
 Rated load: AC1: 7A / 230V AC (VDE)
 6A / 250V AC
 AC15: 1,5A / 120V
 0,75A / 240V (C300)
 AC3: 125W (single-phase motor)
 DC1: 6A / 24V DC
 DC13: 0,22A / 120V
 0,1A / 250V (R300)
 Rated current: 7A
 Min. switching current: 5mA
 Max. inrush current: 12A
 Breaking capacity: AC1: max. 1500VA
 DC1: max. 144W
 min. 0,3W
 min. 0,1W (gold plated contacts;
 Type RMXXX .02 X-N)
 Contact resistance: ≤100mΩ
 Operating frequency: max. 20/min (rated load AC1)
 max. 300/min ohne Last

2. Coil data

Ordering code:
 1.-2. character: RM: Miniature power relays
 3. character:
 0: 0-99V DC
 1: 1-199V DC
 2: 200-300V DC
 5: 0-99V AC
 6: 100-199V AC
 7: 200-299V AC
 4.-5. character: Rated voltage (+ hundrets 3. character)
 6.-11. character:
 -N: Mechanical indicator + test button
 L: LED
 .02: Gold plated contacts
 D: Recovery diode

AC-version:

Type	Rated voltage	Coil resistance Ω (±10%)	Part No.
RM 512L-N	12V AC	39.5	100612LD-N
RM 524-N	24V AC	158	100613-N
RM 524L-N			100613LD-N
RM 524.02L-N			100613H-N
RM 548L-N	48V AC	640	100614LD-N
RM 615L-N	115V AC	3610	100618LD-N
RM 615.02L-N			100618H-N
RM 730-N	230V AC	16100	100619-N
RM 730L-N			100619LD-N
RM 730.02L-N			100619HL-N

Rated power consumption (AC): 1,6VA
 Must release voltage: ≥0,2 x U_N
 Operating range: 0,8 to 1,1 x U_N
 Frequency: 50/60Hz

DC-version:

Type	Rated voltage	Coil resistance Ω (±10%)	Part No.
RM 012L-N	12V DC	160	100601LD-N
RM 012.02LD-N			100601HD-N
RM 024-N	24V DC	640	100603-N
RM 024L-N			100603LD-N
RM 024LD -N			100604FD-N
RM 024.02L-N			100603H-N
RM 024.02LD-N			100603HD-N
RM 024LD-N + Plug			100604FDP-N
RM 048L-N	48V DC	2600	100602LD-N
RM 048.02LD-N			100602HD-N
RM 060L-N	60V DC	4000	100616LD-N
RM 060.02LD-N			100616HD-N
RM 110L-N	110V DC	13600	100617LD-N
RM 220L-N	220V DC	54000	100620LD-N
RM 220.02LD-N			100619HF-N

Rated power consumption (DC): 0,9W
 Must release voltage: ≥0,1 x U_N
 Operating range: 0,8 to 1,1 x U_N

3. General data

Operating time: 10ms (AC); 13ms (DC)
 Release time: 8ms (AC); 3ms (DC)
 Mechanical life: 20 x 10⁶ switching cycles
 Electrical life: 10 x 10⁴ switching cycles @ 6A / 250V (AC1)
 Reduction factors for deviating loads refer to diagrams next page
 Vibration resistance: 5g (10 to 150Hz)
 Shock resistance: 10g / 5g (NO/NC)
 Cover protection category: IP 40
 Weight: 35g

4. Isolation data (according to EN 60664-1)

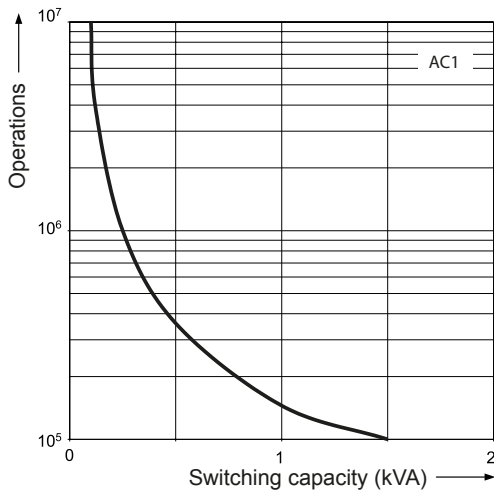
Insulation rated voltage: 250V AC
 Dielectric strength:
 contact - coil: 2500V AC
 contact - contact: 1500V AC
 pole - pole: 2000V AC
 Insulation:
 contact - coil: Basic insulation
 pole - pole: Basic insulation
 Clearance contact - contact: Micro-disconnection
 Rated surge voltage: 2500V
 Overvoltage category: II
 Contact - coil distance:
 clearance: ≥ 1,6 mm
 creepage: ≥ 3,2 mm
 Insulation pollution degree: 2

5. Environmental conditions

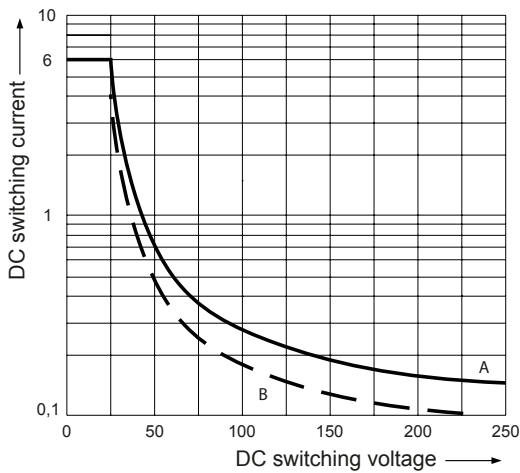
Operating temperature:
 AC: -40 to +55°C
 DC: -40 to +70°C
 Storage temperature: -40 to +85°C

Reduction factors

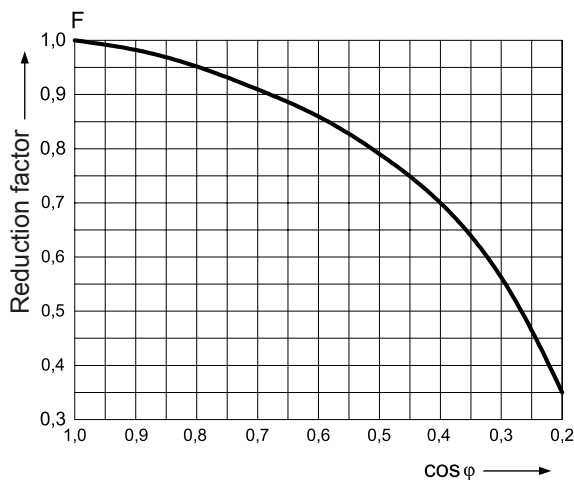
Reduction of electrical life depending on load



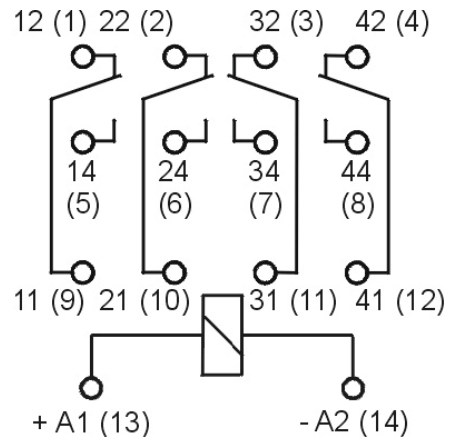
Reduction of switching capacity depending on switching voltage



Reduction of electrical life depending on switching voltage



Connections



Dimensions

